

# DE-STA-CO

## Pick-and-Place and Palletizing Solutions

DE-STA-CO DBG Series bag gripping end effectors offer solutions extending “Beyond the Wrist” to provide complete Pick-and-Place and Palletizing solutions.

- Field Adjustable - Finger positions/Opening angle
- Simplified Design - No complicated linkages
- Pneumatic or electric fully enclosed actuator
- Integrated open/closed position sensing
- Standard “off-the-shelf” components
- Integrated package compensators
- Optional integrated slip sheet and pallet handling
- Hold product secure if air pressure is lost
- Rapid actuation time

- **There are four models available:**

**DBG20** (20lb Max Load)

**DBG50** (50lb Max Load)

**DBG100** (100lb Max Load)

**DBG150** (150lb Max Load)

PATENT PENDING



A DOVER COMPANY

www.destaco.com 1.888.DESTACO

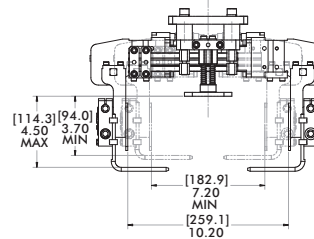
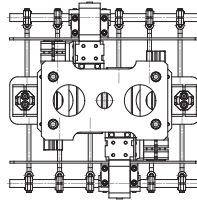
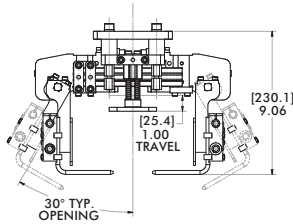


Precisely positioning our customers for productivity.

# DBG Series Bag Gripper System

## DBG20 (SMALL):

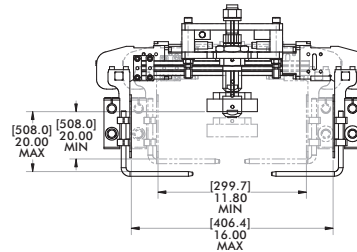
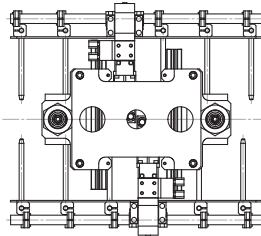
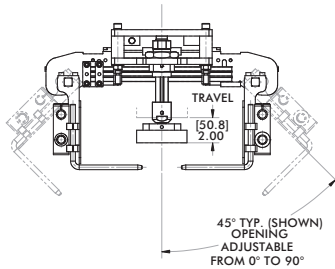
Unit weight: 8.16 kg [18 lb]  
 Max. payload: 9.07 kg [20 lb]  
 Clamps used: 82L3N



- Smaller, light payload robots and automation
- Holds packages up to: 304.8mm x 457.2mm x 114.3mm [12" x 18" x 3.7-4.5"] (Nominal bag sizes)

## DBG50 (MEDIUM):

Unit weight: 16.33 kg [36 lb]  
 Max. payload: 22.68 kg [50 lb]  
 Clamps used: 82L40



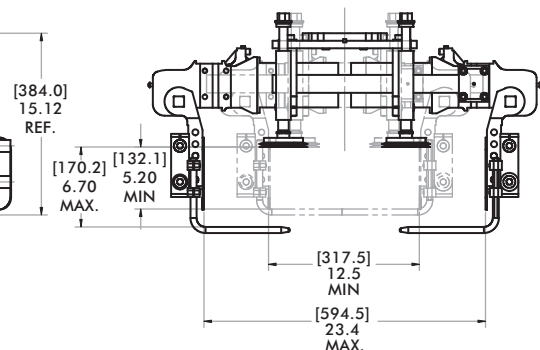
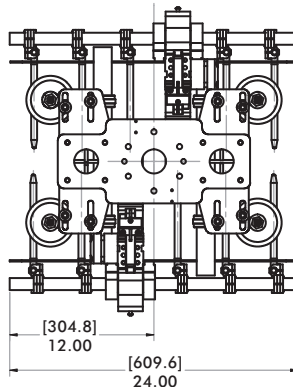
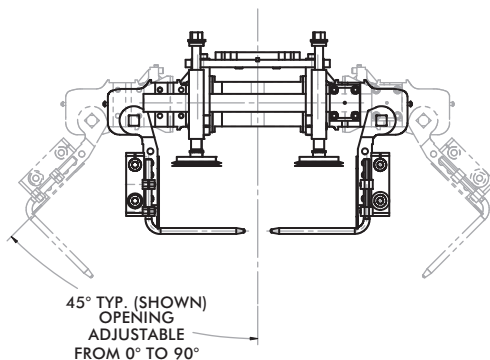
- Light to medium payload robots and automation
- Holds packages up to: 431.8mm x 711.2 x 121.9mm [17" x 28" x 4.8"] (Nominal bag sizes)

## DBG100 (LARGE):

Unit weight: 44.45 kg [98 lb]  
 Max. payload: 45.36 kg [100 lb]  
 Clamps used: 82M63

## DBG150 (LARGE):

Unit weight: 45.36 kg [100 lb]  
 Max. payload: 68.04 kg [150 lb]  
 Clamps used: 82M63



- Medium to heavy payload robots and automation
- Holds packages up to: 609.9mm x 1016mm x 170.2mm [24" x 40" x 6.7"] (Nominal bag sizes)