

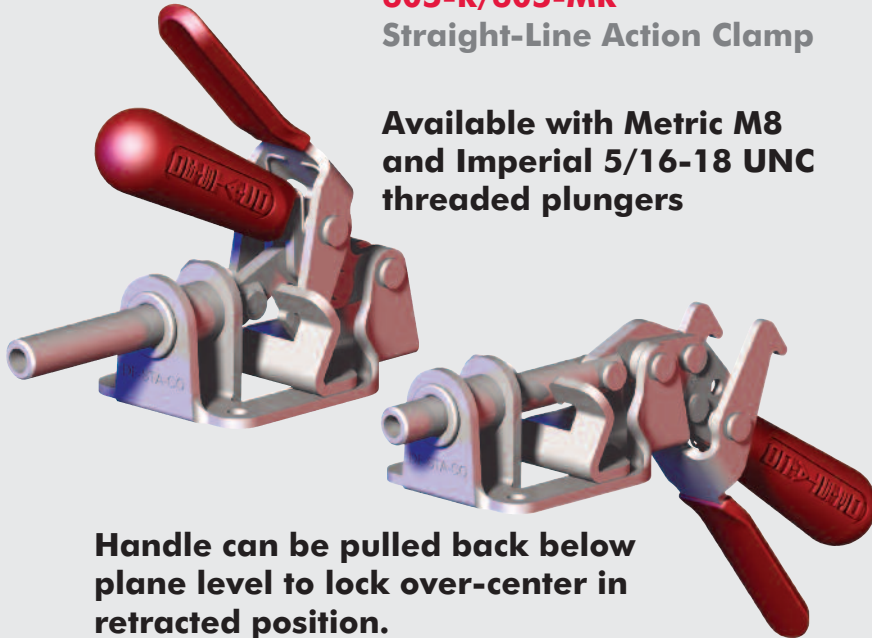
CLAMPING INNOVATION

Manual Clamping and Workholding Solutions

DE-STA-CO announces the 605-R to expand its family of Straight-Line Action Clamps with DE-STA-CO® Toggle-Lock Plus

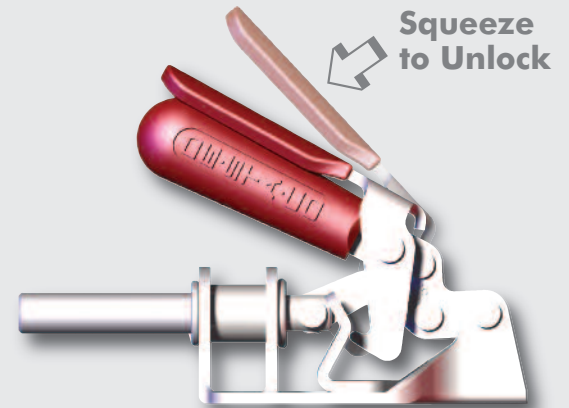
605-R/605-MR
Straight-Line Action Clamp

Available with Metric M8 and Imperial 5/16-18 UNC threaded plungers



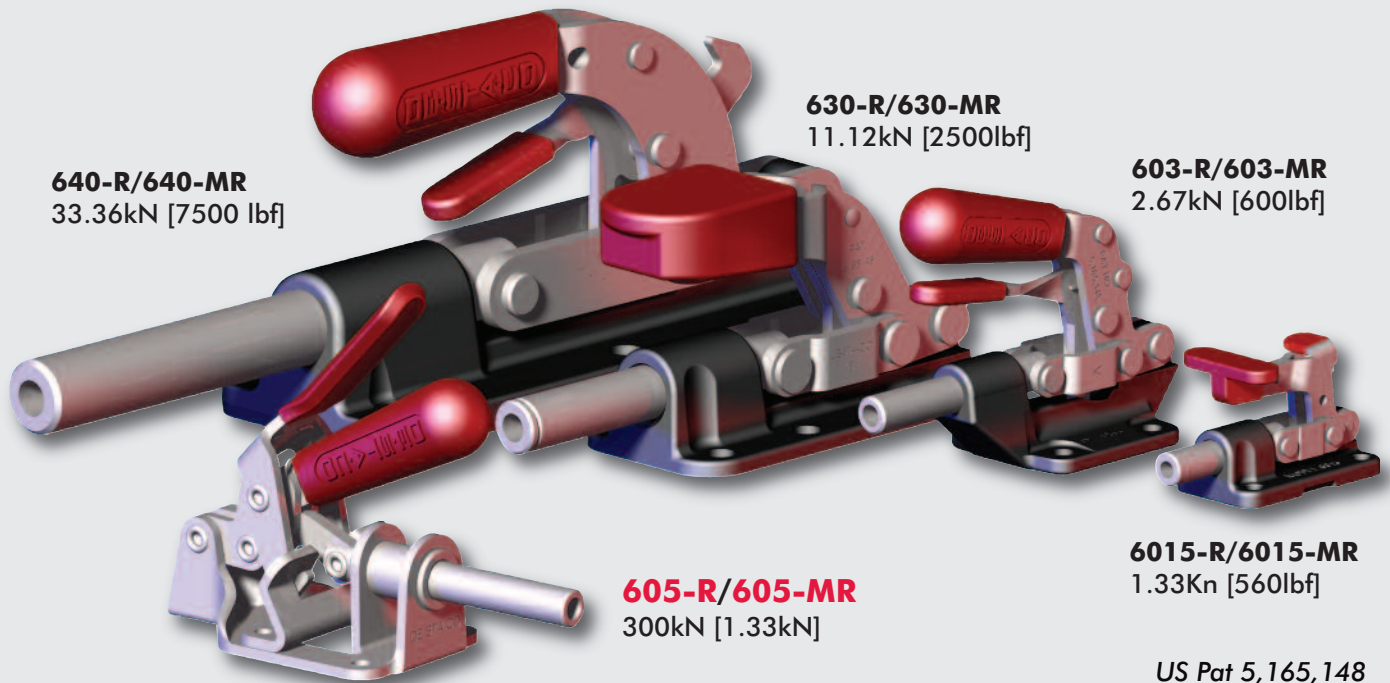
Handle can be pulled back below plane level to lock over-center in retracted position.

DE-STA-CO® Toggle Lock Plus



Clamp locks securely in extended position. Unlock and retract the clamp by squeezing the handle in a one hand operation.

Most Complete offering of Straight-line Action Clamps in the Industry



640-R/640-MR
33.36kN [7500 lbf]

630-R/630-MR
11.12kN [2500lbf]

603-R/603-MR
2.67kN [600lbf]

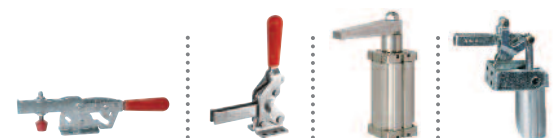
605-R/605-MR
300kN [1.33kN]

6015-R/6015-MR
1.33kN [560lbf]

US Pat 5,165,148

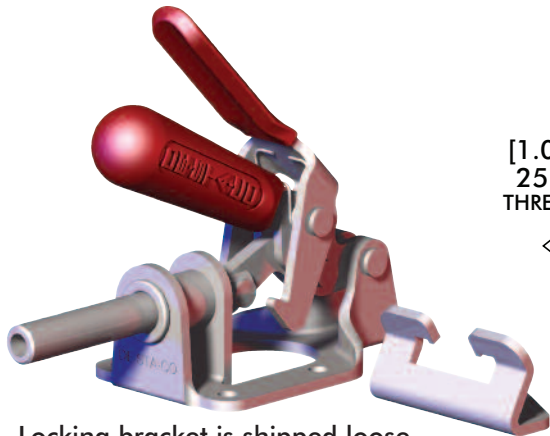


A DOVER COMPANY

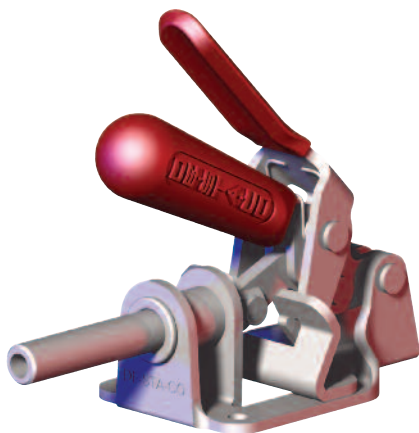
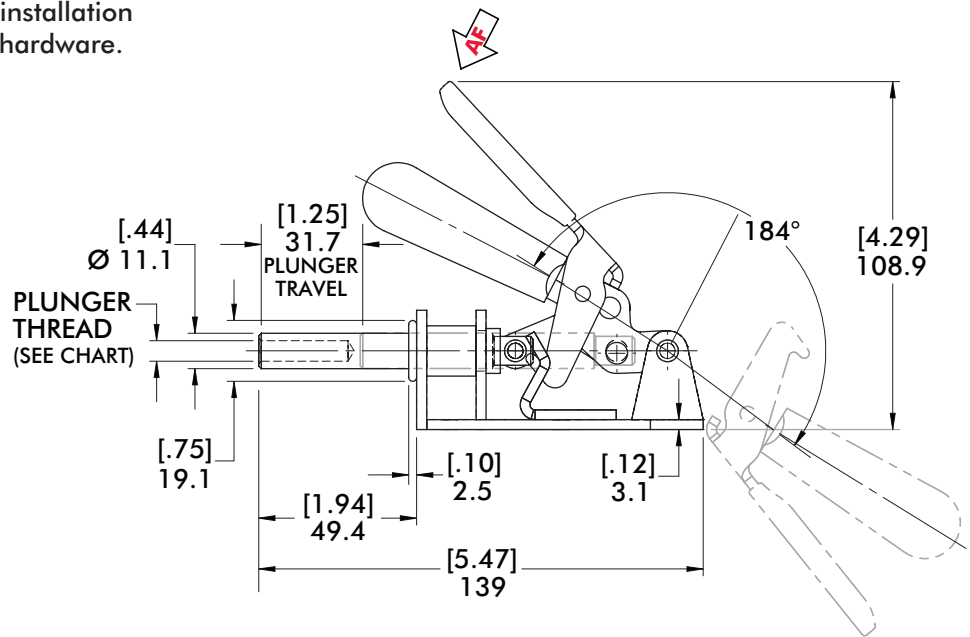
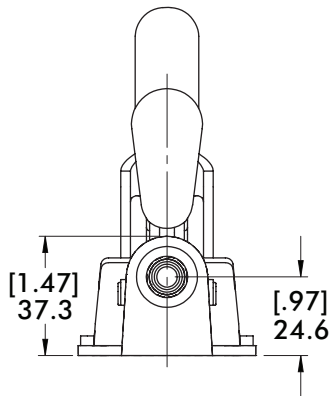
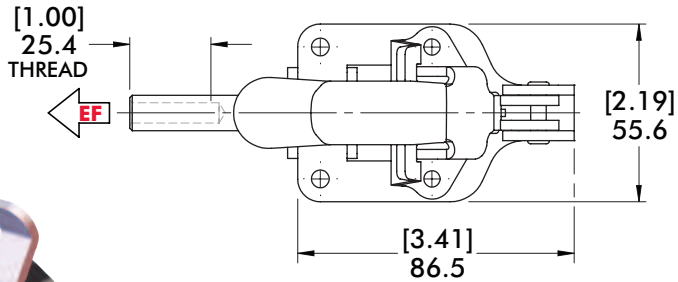


605-R/605-MR Straight-Line Action Clamps

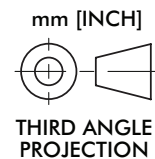
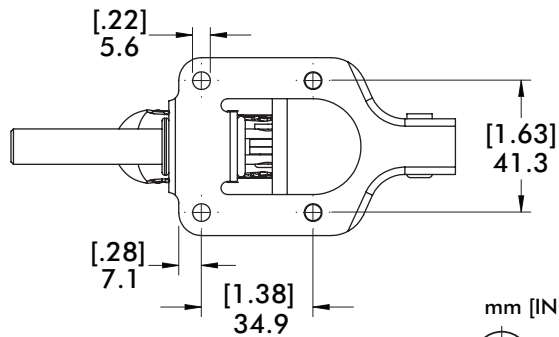
605-R/605-MR Straight-line Action Clamps with DE-STA-CO® Toggle Lock Plus



Locking bracket is shipped loose, and secured in place during installation with conventional mounting hardware.



Shown with locking bracket in place



MODEL	HOLDING CAP.	UNIT WEIGHT	EF:AF (Exerting:Applied)	PLUNGER TRAVEL	PLUNGER THREAD	SPINDLE (Recommended)
605-R	[300 lbf]	[0.93 lb]	45:1/40:1	[1.25]	5/16-18 UNC	207203
605-MR	1.33kN	0.42kg	(Pushing/Pulling)	31.75	M8	207203-M