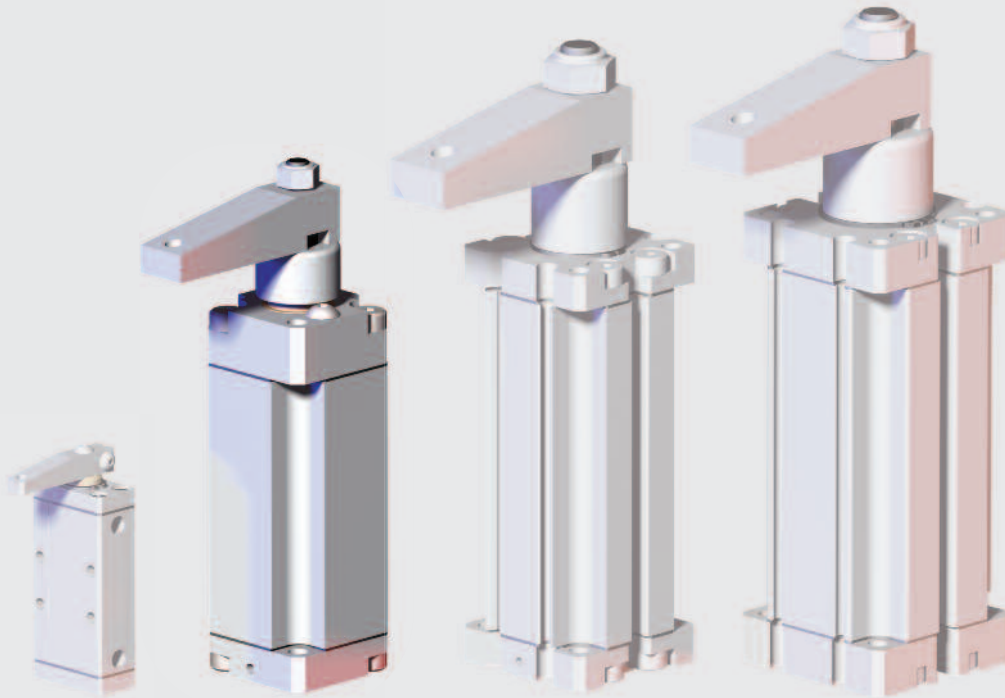


SWING INTO A TIGHT SPOT

9500 Series Pneumatic Swing Clamps

The only **family** of swing clamps to offer a patented movement with a robust arm connection and rod protection...all in one package.

The family is expanding...



Versatile Arm Connection accepts 90° Slot Style Arm (shown, ordered separately) or 360° Radially Adjustable Pinch-on Style Arm

Fixed Orifice Porting does not require flow controls

Rod Cover Standard

Horizontal or **Vertical** Mounting

Switch Grooves 9530/9540 either Ø4mm or 6.5 x 5mm switches (magnet on piston)

Switch Grooves 9522 Ø4mm only

9513
(Arriving in November)

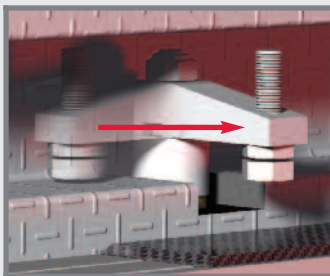
9522

9530

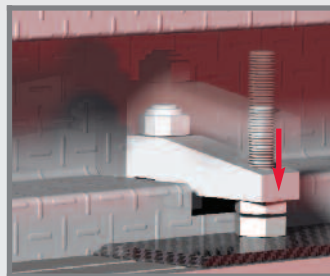
9540

No Downward Travel during 90° Swing

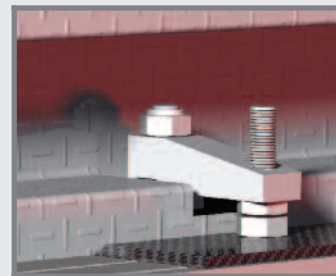
Arm does not move down or up during 90° rotation as shown below, requiring less clearance during arm swing. This allows for operation in restricted or confined work spaces.



90° Lateral swing motion



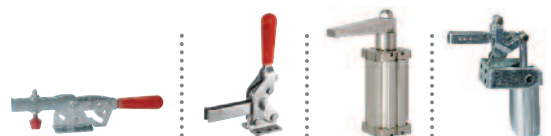
Straight down clamping



Arm in Clamped Position

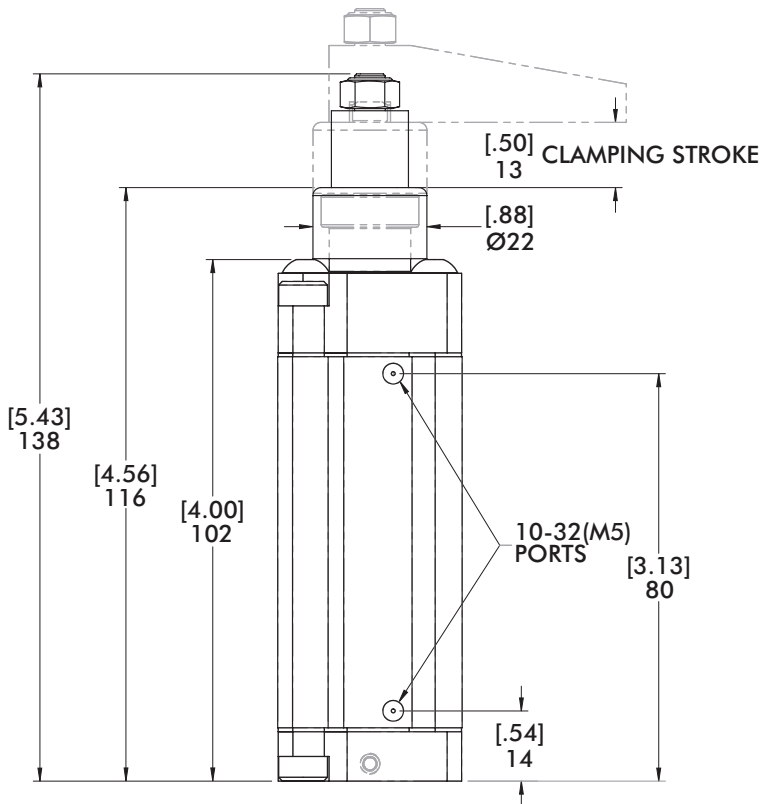
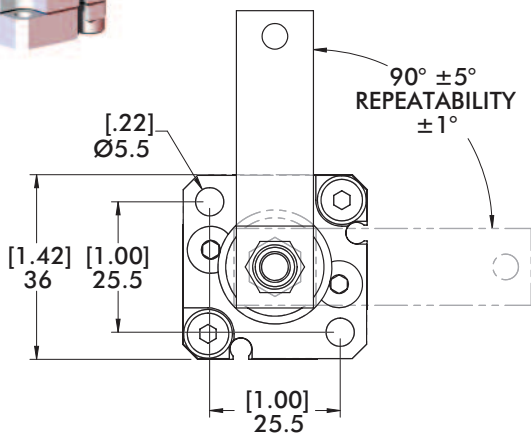


A DOVER COMPANY



9500 Series Pneumatic Swing Clamp

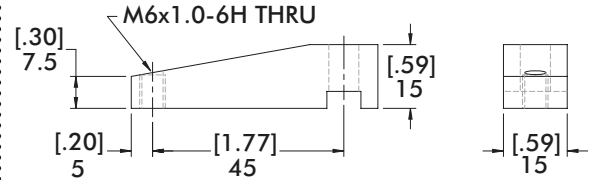
9522 Dimensions and Technical Information



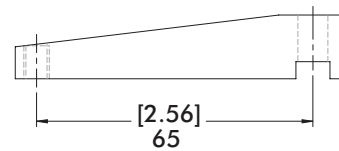
Clamp Arm Options (Ordered Separately)

These clamp arms can be mounted to the piston rod in 90° increments and can be used on both series

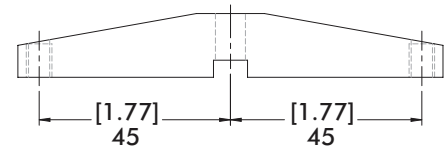
952250 2.00 in. Arm



952253 3.00 in. Arm



952254 2.00 in. "T" Arm



952255 3.00 in. "T" Arm

