

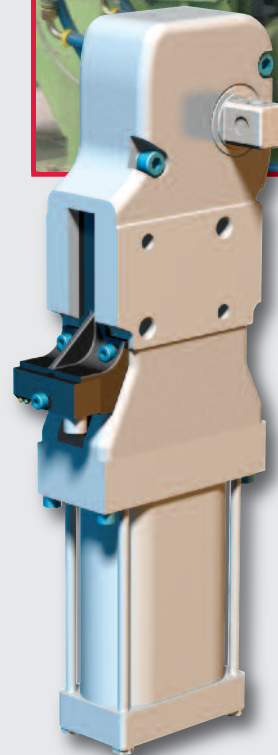
CLAMPING INNOVATION

82M Series 63mm Pneumatic Power Clamps

The 82M Series is a compact, light-weight clamping solution with an enclosed body, toggle-locking mechanism and long life cycle

KEY FEATURES:

- Field adjustable arm opening angles
- Lightweight - highest weight to power ratio
- Optional open/closed sensing package
- Protected from contaminants
- Built-in flow controls
- Sealed roller bearings
- NAAMS Style mounting
- Holds the part if air pressure is lost



Well suited for clamping, holding, positioning and welding applications

82M Series Ordering Information		
Model	Sensor	Handle
82M-72306300		
82M-723063C8	<input checked="" type="checkbox"/>	
82M-723K6300		<input checked="" type="checkbox"/>
82M-723K63C8	<input checked="" type="checkbox"/>	<input checked="" type="checkbox"/>

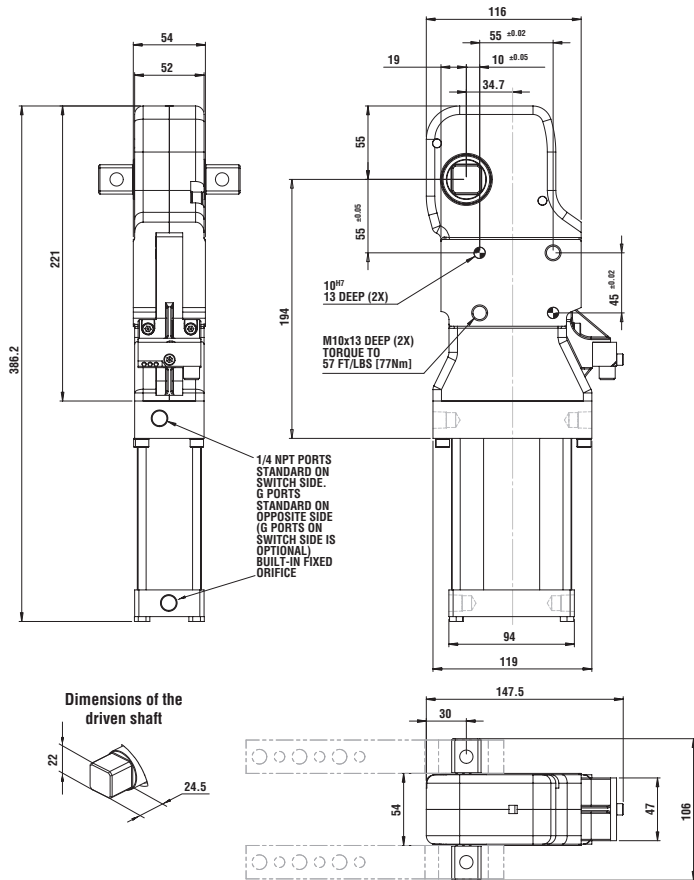
Specification:

Clamping force
@ 5 bar [72 psi]:
420 Nm [309 ft-lb]
Holding force:
1000 Nm [737 ft-lb]
Weight:
4.6 kg [10.1 lb]

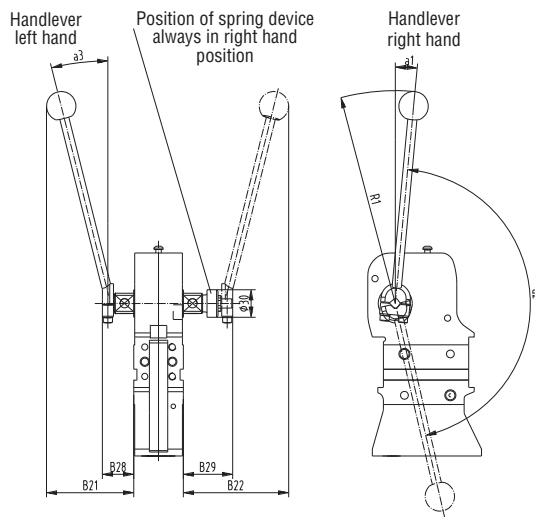


82M Series 63mm Pneumatic Power Clamp

Base Clamp Dimensions

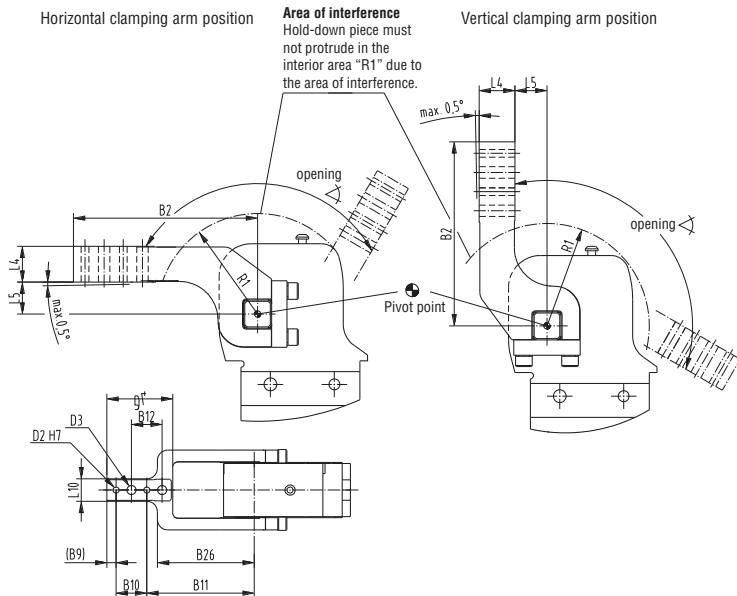


82M-723K6300/82M-723K63C8

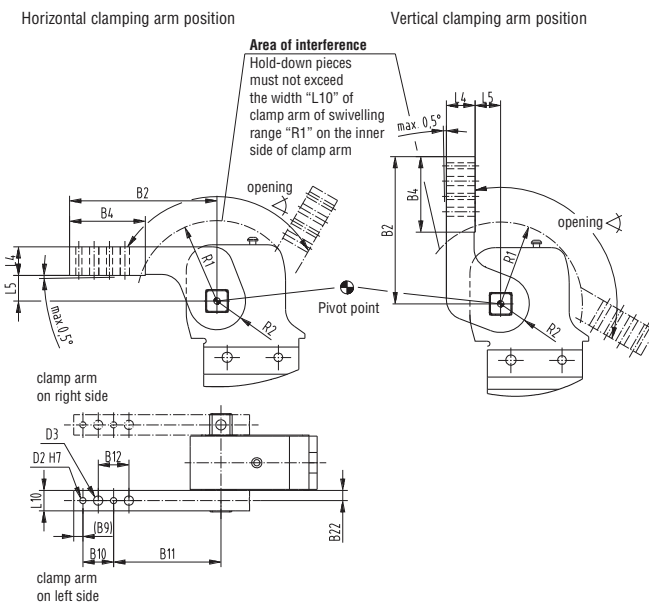


a1	B21	B22	B28	B29	R1	Hand lever slew angle a2 with reference to opening angle of clamping arm							
~	~	~	max	max	~	15°	30°	45°	60°	75°	90°	105°	120°
5°	97	117	36	54	240	50°	65°	79°	93°	110°	125°	140°	160°

U-Type Clamp Arm



Lateral Clamp Arm



Clamp Arm Type	Model Number	Max. opening angle for clamping position		Weight (kg)	B2	B4	B9	B10	B11	B12	B26	D2	D3	L4	L5	L10	R1	R2
		horizontal	vertical															
U-Type	8UM 631-25-144	120°	120°	1,1	144	64,3	9	30	105	30	95	6	9	28	25	20	80	--
Lateral	8S631-25-144	120°	120°	1	144	74	9	30	105	30	10	6	9	28	25	20	80	28