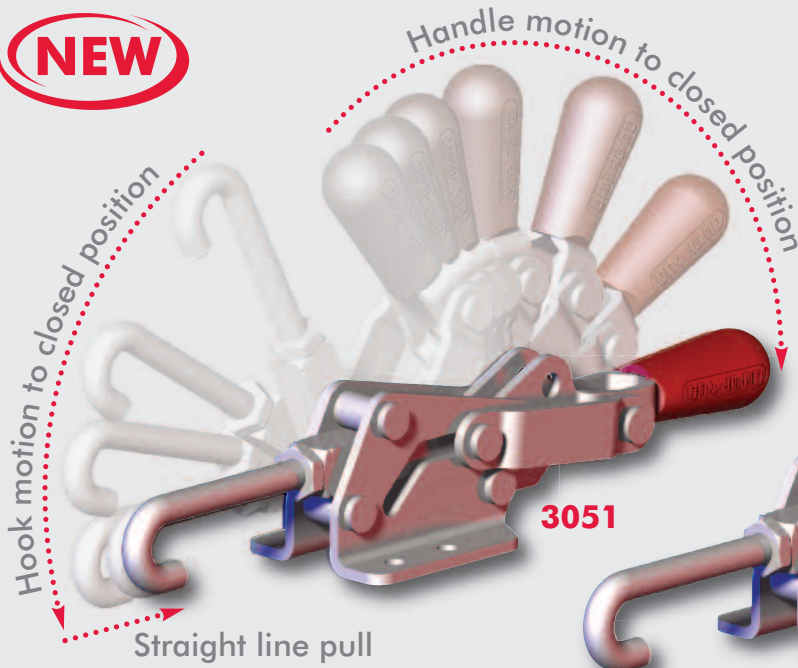


CLAMPING INNOVATION

Manual Clamping and Workholding Solutions

DE-STA-CO's **Controlled Latch Clamp** offers ease of use, over-center control, versatility and safety not offered by typical pull action clamps

NEW



DE-STA-CO® Toggle Lock Plus



US and International Patent Pending

Key Features:

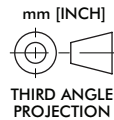
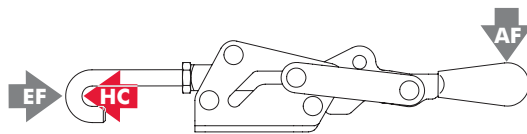
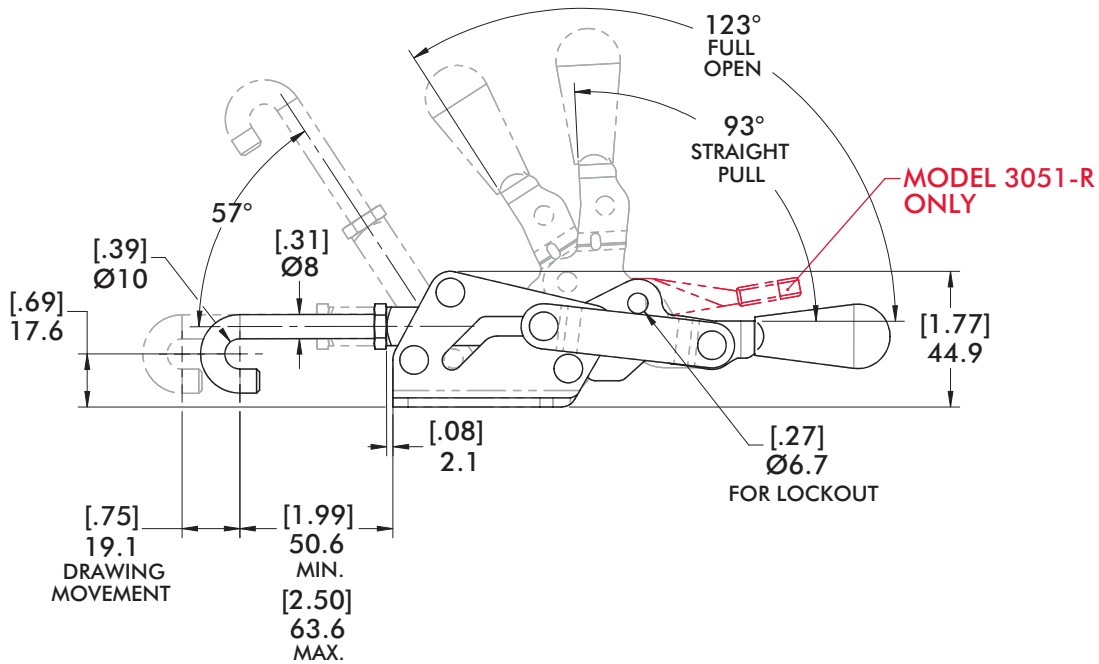
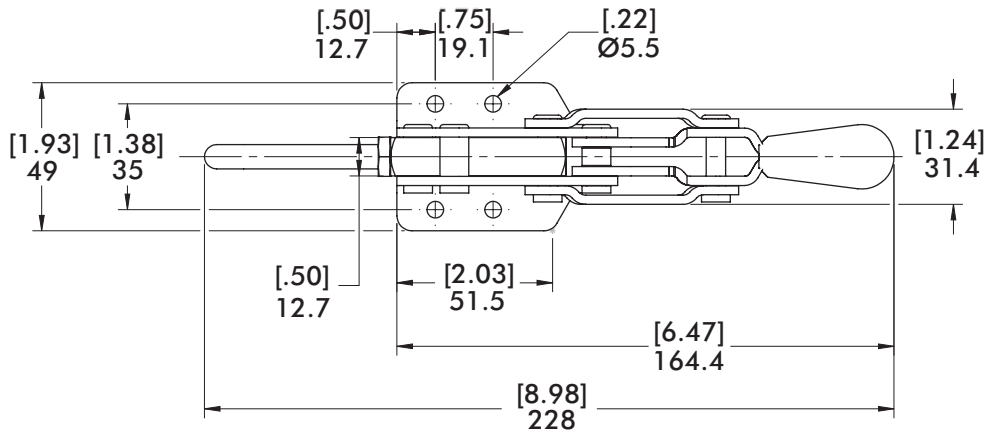
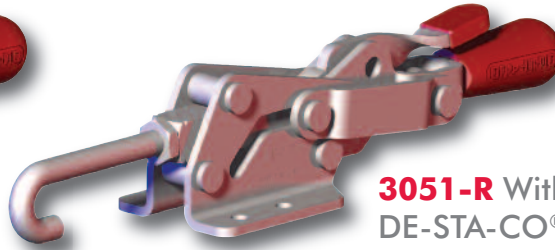
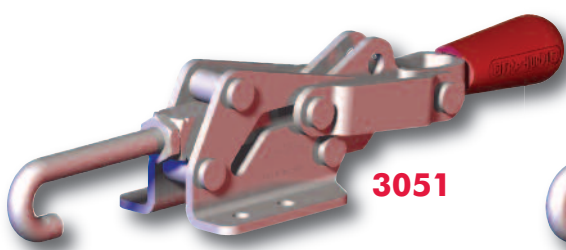
- Safe, single handed operation
- Innovative controlled motion
- Secure toggle locking action
- Simple set-up and adjustment
- Clamp hook/arm moves and stays safely out of the way
- Broad range of applications, including:
 - Assembly checking and welding fixtures
 - Closure devices for containers
 - Latches for molds

Versatility



3051 Controlled Latch Clamp

3051/3051-R Controlled Latch Clamp



MODEL	HC (Holding Capacity)	UNIT WEIGHT	EF:AF (Exerting:Applied)	DRAWING MOVEMENT	HOOK THREAD	HOOK KIT (Included)
3051	[1500 lbf] 6.7kN	[1.0 lb] 0.50kg	12:1	[.75] 19.1	M8 x 1.25	3051208
3051-R						