

CLAMPING INNOVATION

Manual Clamping and Workholding Solutions

Introducing the newest additions to the 2000 Series Vertical Hold Down Clamps

DE-STA-CO now offers a 2002 vertical hold-down clamp with a 207-U compatible mounting pattern. This allows the use of a smaller, safer clamp, with more holding capacity.

2002-U207 offers a **smaller size** and **increased holding capacity** over the legacy 207 series

Same spindle clearance for part load/unload

Greater hand clearance in the open position eliminates a pinch point for improved safety.

207-U

2002-U207

Model **2002-U207**

Model **207-U**

Dimensions: [1.81] 46.7

Dimensions: [1.25] 31.7

Dimensions: [1.25] 31.8

Dimensions: [0.75] 19.1

Dimensions: 1.0kN [225 lbf]

Dimensions: 1.7kN [375 lbf]

Dimensions: 1.3kN [295 lbf]

Dimensions: 2.7kN [600 lbf]

Same clearance between clamp bar and mounting surface

2002-UR207

2002-U207

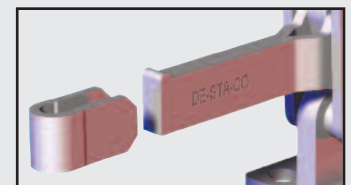
2002-U207

Dimensions: [1.25] 31.8

Dimensions: [0.75] 19.1

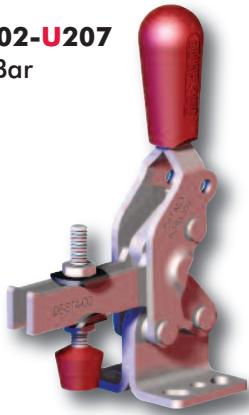
Interchangeable mounting hole pattern between the 2002, 202 and 207 Series.

S-Bar Version Available
2002-S207, 2002-SR207

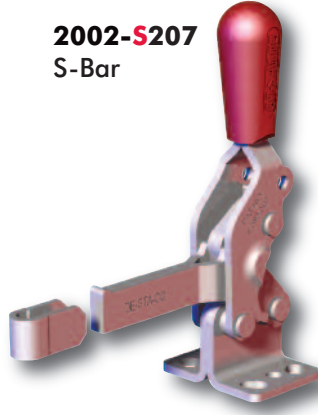


2002-U207 Vertical Hold-Down Clamps

2002-U207
U-Bar



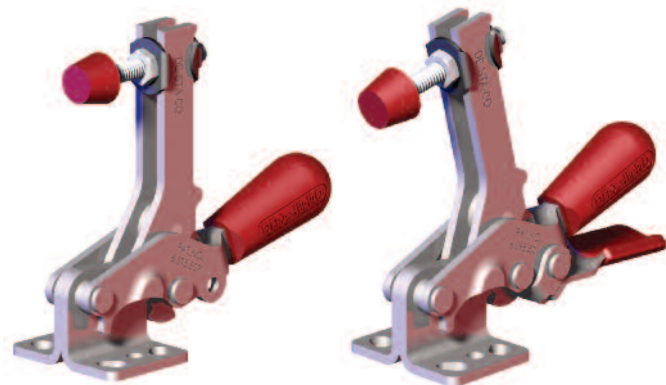
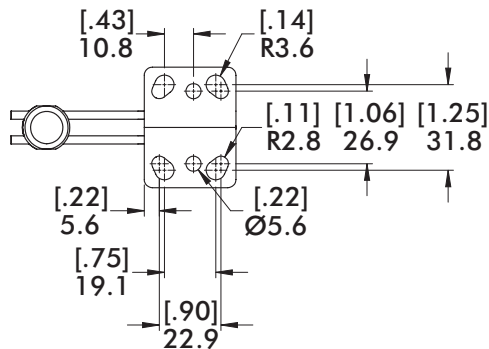
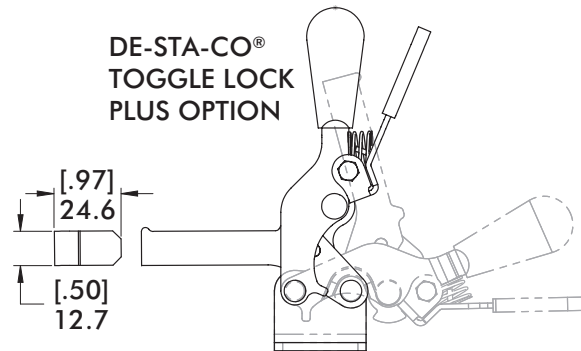
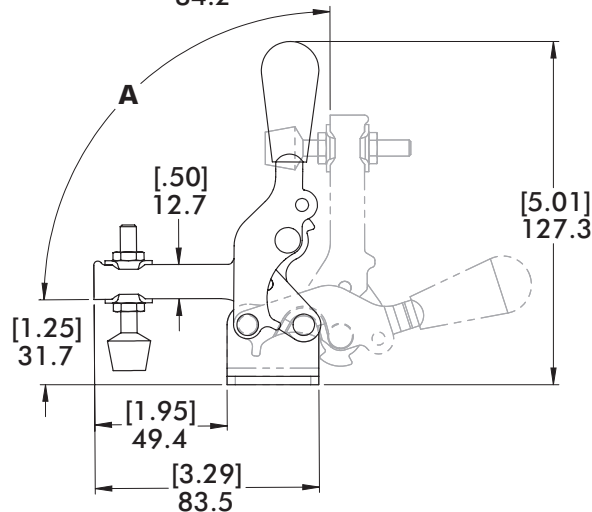
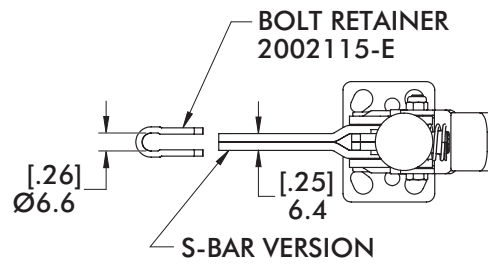
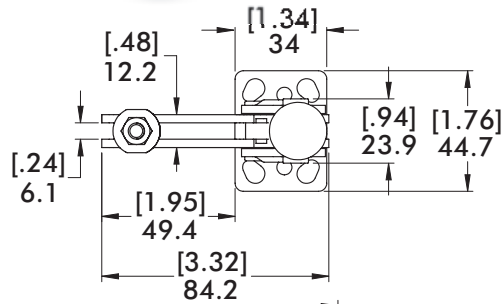
2002-S207
S-Bar



2002-UR207
U-Bar and
DE-STA-CO®
Toggle Lock Plus



2002-SR207
S-Bar and
DE-STA-CO®
Toggle Lock Plus



Model	Holding Capacity	(A) Bar Opening	Handle Movement	Unit Weight	Spindle	Flange Washers
2002-U207/2002-S207*	[600 lbf]	90°	72°	[0.57 lb]	215208-M*	215105*
2002-UR207/2002-SR207	2.7kN	75°	66°	0.26kg		

(* Spindle and washer is include with 2002-U207/2002-UR207 models only.