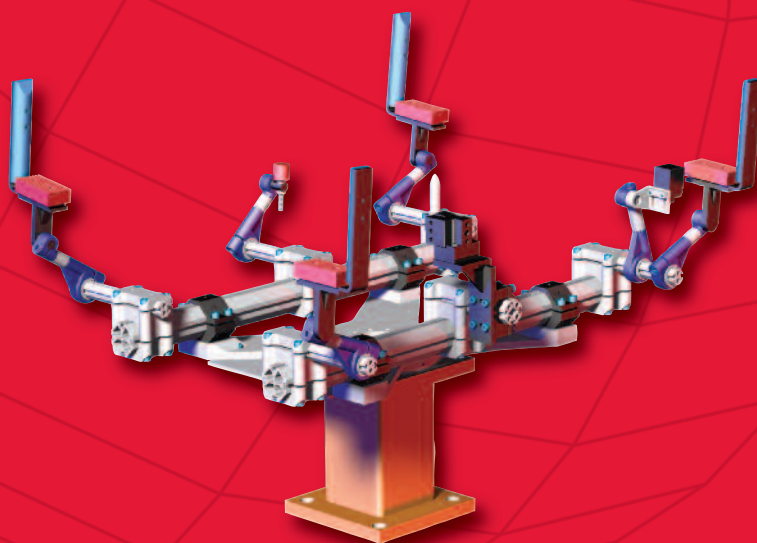
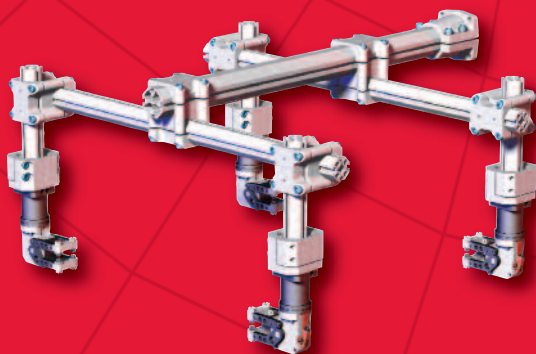
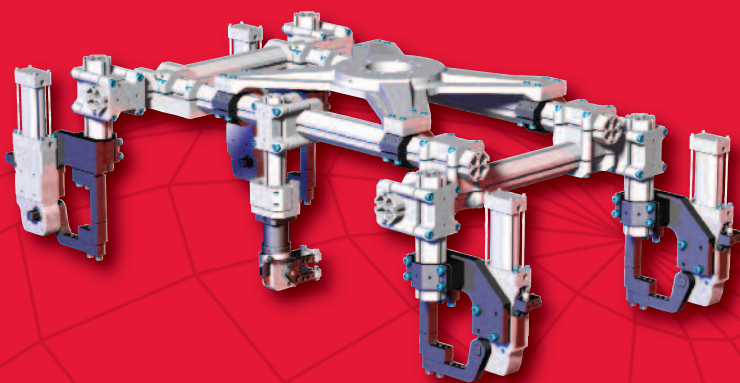




A DOVER COMPANY

BODYBUILDER™ END-EFFECTOR SYSTEM

MARCH 2009



www.destaco.com



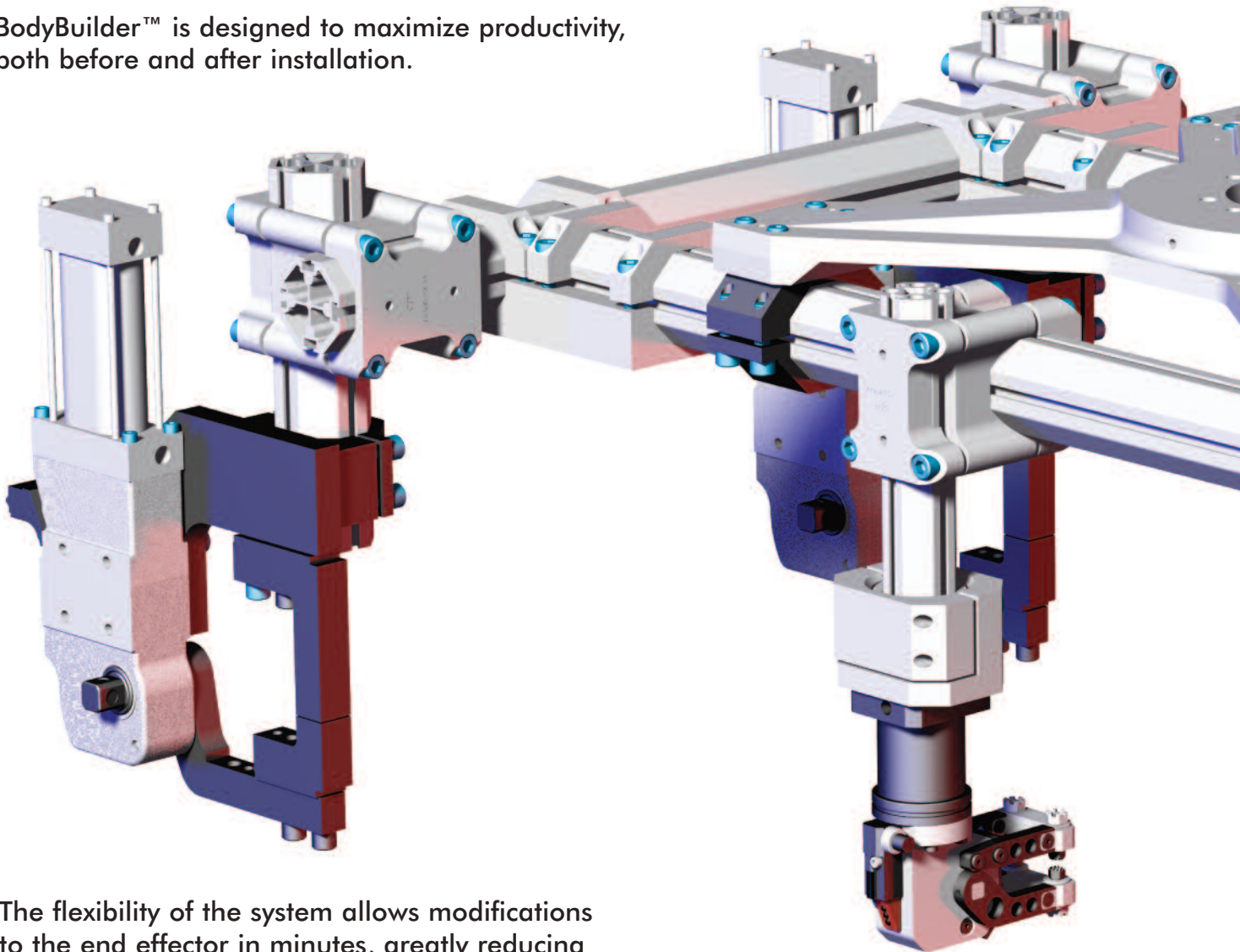
CAD FILES
AVAILABLE
ONLINE



BodyBuilder™ Robotic End Effector System

Features and Benefits

BodyBuilder™ is designed to maximize productivity, both before and after installation.

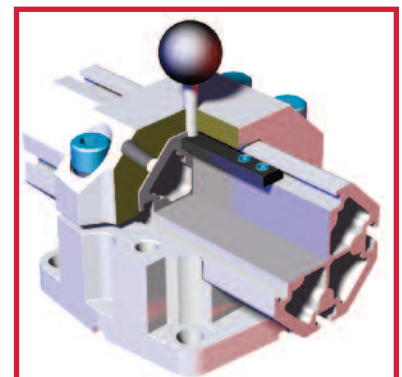
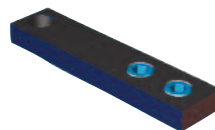


The flexibility of the system allows modifications to the end effector in minutes, greatly reducing start up time to launch.

The patented BodyBuilder™ Alignment System allows the modular components to be replaced individually and easily returned to their original positions. *(Please see page 56 for more information)*

U.S. PATENT 6,349,912

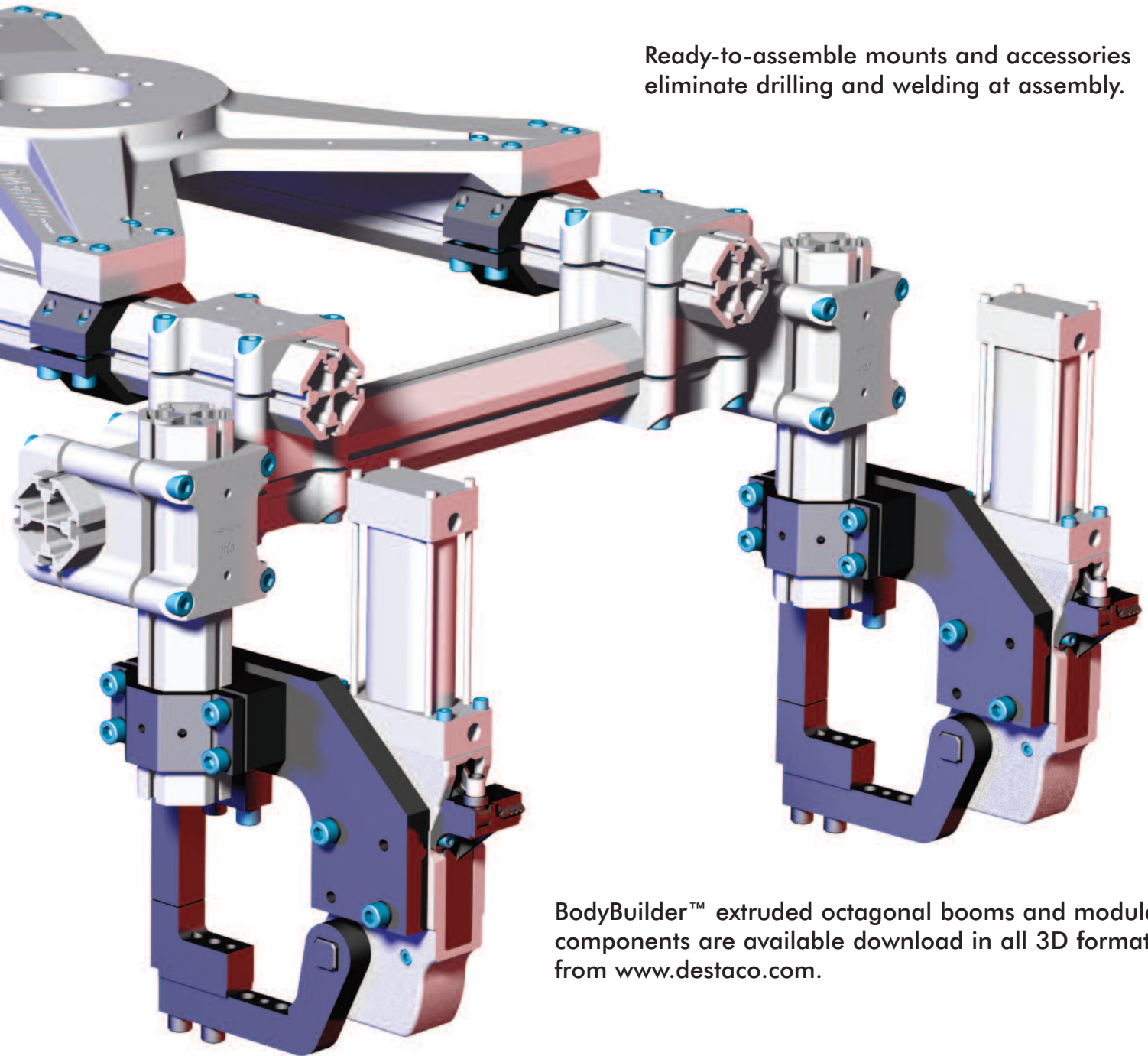
Alignment nut(s) are included with every Bodybuilder™ modular component utilizing the patented alignment system.



BodyBuilder™ Robotic End Effector System Features and Benefits

The octagonal structure is available in four sizes:
30mm, 45mm, 60mm, and 90mm.

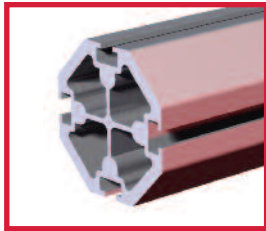
Ready-to-assemble mounts and accessories
eliminate drilling and welding at assembly.



BodyBuilder™ extruded octagonal booms and modular components are available download in all 3D formats from www.destaco.com.

BodyBuilder™ Robotic End Effector System

Table of Contents



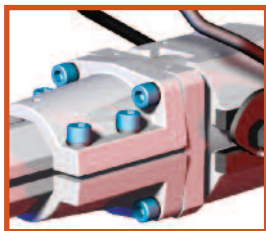
BodyBuilder™ Extruded Aluminum Octagonal Booms.....Page 6-10

Boom Lengths and Ordering Information Page 6
 30mm Boom Profile Dimensions and Specifications Page 6
 45, 60, and 90mm Boom Profile Dimensions and Specifications Page 7
 30, 45, 60, and 90mm Boom Deflection Charts Page 8-9
 Extrusion Accessory Mount. Page 10
 60mm Octagonal Boom End Cap Page 10



BodyBuilder™ Structure Mid Mount AssembliesPage 11-28

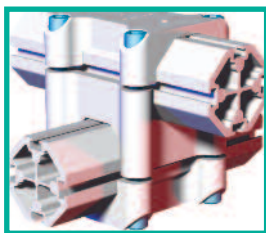
RMM-30B Mid Mount Assembly Page 11-12
 BM1-45/60 Mid Mount Assembly Page 13-15
 RM4-60 Heavy Duty Mid Mount Assembly Page 16-19
 BM3-90 Heavy Duty Mid Mount Assembly Page 18-19
 Robot Interface Bolt Patterns Page 20-22
 1.00" Risers/Spacers for RM4-60/BM3-90 Page 23
 HTW Hold Table Weldments Page 24-26
 60mm Mid Mount Assembly Page 27
 90mm Mid Mount Assembly Page 28



BodyBuilder™ Structure End Mount AssembliesPage 29-32

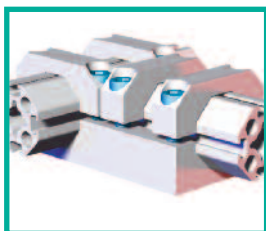
90mm End Mount Assembly Page 29
 60mm BodyBuilder™ Bayonet Page 30
 Manual Quick Disconnect Housing Page 31

Explaining the Patented Alignment System. Page 32



BodyBuilder™ Transition Brackets and Blocks.....Page 33-41

30mm to 30mm Transition Bracket Assemblies Page 33-34
 45mm to 30/45mm Transition Bracket Assemblies Page 35-36
 60mm to 30/45/60mm Transition Bracket Assemblies Page 37-39
 90mm to 30/45/60/90mm Transition Bracket Assemblies Page 40-43
 30/45mm Octagon to 25mm Round Transition Block Assemblies Page 44
 60mm Octagon to 25/40mm Round Transition Block Assemblies Page 45
 30mm Octagon to .50"(in) Round Transition Bracket Assemblies Page 46

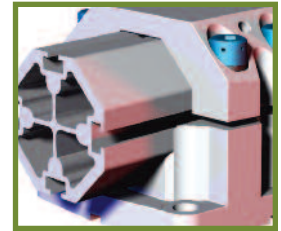


BodyBuilder™ Low-Profile Transition BracketsPage 47-61

30mm to 30/45/60mm Octagon T-Clamp Bracket AssembliesPage 47-49
 45mm to 30/45/60mm Octagon T-Clamp Bracket AssembliesPage 50-52
 45mm Octagon to 25mm Round T-Clamp Bracket Assemblies Page 53
 60mm to 30/45/60mm Octagon T-Clamp Bracket Assemblies Page 54-56
 60mm Octagon to 25mm Round T-Clamp Bracket Assemblies Page 57
 25mm Round to 45/60mm Octagon T-Clamp Bracket Assemblies Page 58-59
 45° Angular Boom Clamp Brackets Page 60-61

BodyBuilder™ Accessory Brackets and Mounts.....Page 62-70

30mm Mid Flange Mount	Page 62
45mm Mid Flange Mount	Page 63
60mm Mid Flange Mount	Page 64
30mm End Flange Mount	Page 65
60mm End Flange Mount	Page 66
30mm Accessory Mounting Bracket	Page 67
45mm Accessory Mounting Bracket	Page 68
60mm Accessory Mounting Bracket	Page 69
90mm Accessory Mounting Bracket	Page 70



BodyBuilder™ Gripper Mounts.....Page 71-73

30mm 150 Series Parallel Gripper Mounts	Page 71
30mm 150 Series Rear Gripper Mounts.	Page 72
45mm 150 Series Rear Gripper Mounts.	Page 73



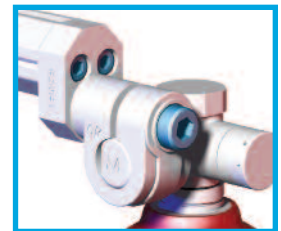
BodyBuilder™ Swivel Arm MountsPage 74-77

30mm Swivel Arm Mounts for Ø.50”(in) Apple Core Accessories	Page 74
45mm Swivel Arm Mounts for Ø19mm [.75in] Apple Core Accessories	Page 75
30mm Swivel Arm Mounts for Ø19mm [.75in] Apple Core Accessories	Page 76
30mm Swivel Arm Mounts for Swivel Ball Mount Accessories	Page 77



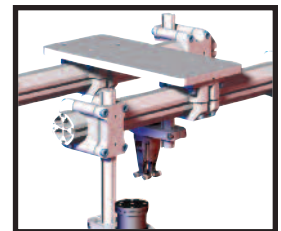
BodyBuilder™ Swivel Arm Accessories.....Page 78-81

30mm Bodybuilder to Ø19mm [.75in] Apple Core Swivel End Mount	Page 78
Part Present Proximity Switch Mount.	Page 79
Rough Locator.	Page 80
Ø19mm [.75in] Apple Core Bumper Mount	Page 81
Ø19mm [.75in] Apple Core Mini-Clamp Mount.	Page 81



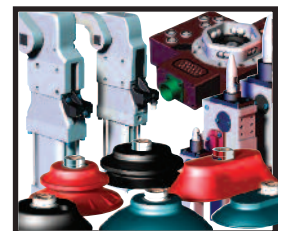
BodyBuilder™ Tooling Application Examples

BodyBuilder™ Example Tooling Assemblies	Page 82-83
BodyBuilder™ Customer Application Pictures	Page 84-85

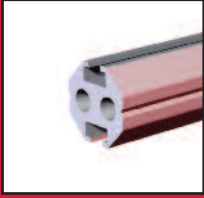

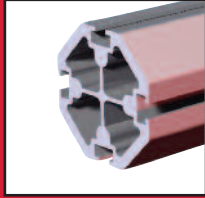
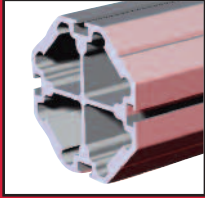


DE-STA-CO offers a complete system solution

DE-STA-CO products commonly used with BodyBuilder™	Page 86-87
--	------------

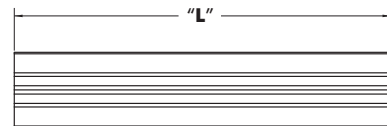
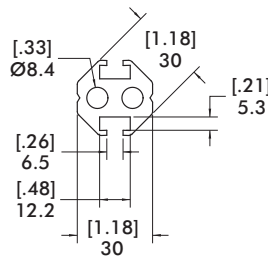
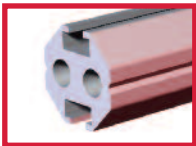


BodyBuilder™ Octagonal Aluminum Boom Structure
30, 45, 60, and 90mm Boom Lengths and Ordering Numbers

BODYBUILDER™ OCTAGONAL ALUMINUM BOOM LENGTHS & ORDER NUMBERS	   			
	(L) Length	B - 30 - (L) - 0	B - 45 - (L) - 0	B - 60 - (L) - 0
150 mm	B - 30 - 150 - 0	B - 45 - 150 - 0	B - 60 - 150 - 0	N/A
200 mm	B - 30 - 200 - 0	B - 45 - 200 - 0	B - 60 - 200 - 0	N/A
250 mm	B - 30 - 250 - 0	B - 45 - 250 - 0	B - 60 - 250 - 0	N/A
300 mm	B - 30 - 300 - 0	B - 45 - 300 - 0	B - 60 - 300 - 0	B - 90 - 300 - 0
400 mm	B - 30 - 400 - 0	B - 45 - 400 - 0	B - 60 - 400 - 0	B - 90 - 400 - 0
500 mm	B - 30 - 500 - 0	B - 45 - 500 - 0	B - 60 - 500 - 0	B - 90 - 500 - 0
600 mm	B - 30 - 600 - 0	B - 45 - 600 - 0	B - 60 - 600 - 0	B - 90 - 600 - 0
700 mm	B - 30 - 700 - 0	B - 45 - 700 - 0	B - 60 - 700 - 0	B - 90 - 700 - 0
750 mm	B - 30 - 750 - 0	B - 45 - 750 - 0	B - 60 - 750 - 0	B - 90 - 750 - 0
800 mm	B - 30 - 800 - 0	B - 45 - 800 - 0	B - 60 - 800 - 0	B - 90 - 800 - 0
900 mm	B - 30 - 900 - 0	B - 45 - 900 - 0	B - 60 - 900 - 0	B - 90 - 900 - 0
1200 mm	B - 30 - 1200 - 0	B - 45 - 1200 - 0	B - 60 - 1200 - 0	B - 90 - 1200 - 0
1500 mm	B - 30 - 1500 - 0	B - 45 - 1500 - 0	B - 60 - 1500 - 0	B - 90 - 1500 - 0
1800 mm	B - 30 - 1800 - 0	B - 45 - 1800 - 0	B - 60 - 1800 - 0	B - 90 - 1800 - 0
2100 mm	B - 30 - 2100 - 0	B - 45 - 2100 - 0	B - 60 - 2100 - 0	B - 90 - 2100 - 0
2400 mm	B - 30 - 2400 - 0	B - 45 - 2400 - 0	B - 60 - 2400 - 0	B - 90 - 2400 - 0
2700 mm	B - 30 - 2700 - 0	B - 45 - 2700 - 0	B - 60 - 2700 - 0	B - 90 - 2700 - 0
3000 mm	B - 30 - 3000 - 0	B - 45 - 3000 - 0	B - 60 - 3000 - 0	B - 90 - 3000 - 0

30mm Boom Profile Dimensions and Specifications

BodyBuilder™ 30mm Boom

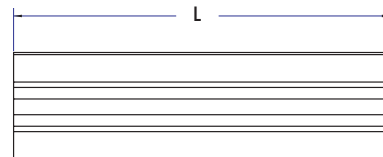
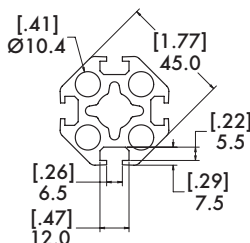


Model Number	Weight
B - 30 - (L) - 0	1.4 kg/m [0.9 lb/ft]



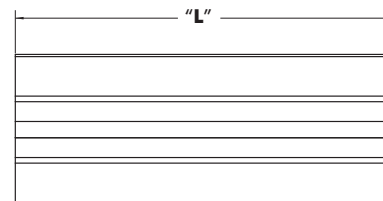
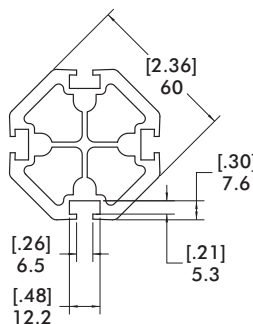
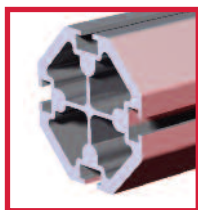
BodyBuilder™ Octagonal Aluminum Boom Structures 45, 60, and 90mm Boom Profile Dimensions and Specifications

BodyBuilder™ 45mm Boom



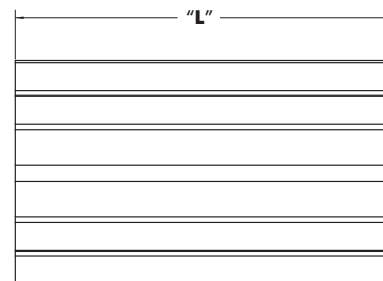
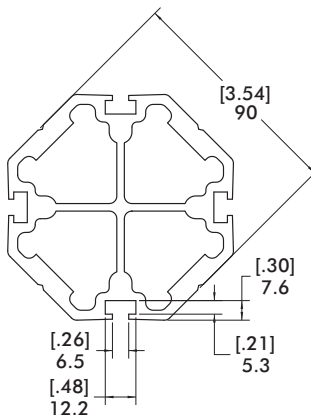
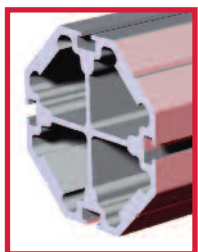
Model Number	Weight
B - 45 - (L) - 0	2.0 kg/m [1.4 lb/ft]

BodyBuilder™ 60mm Boom



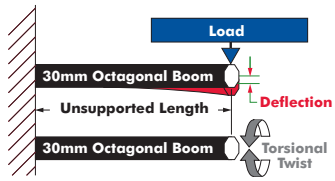
Model Number	Weight
B - 60 - (L) - 0	3.3 kg/m [2.2 lb/ft]

BodyBuilder™ 90mm Boom



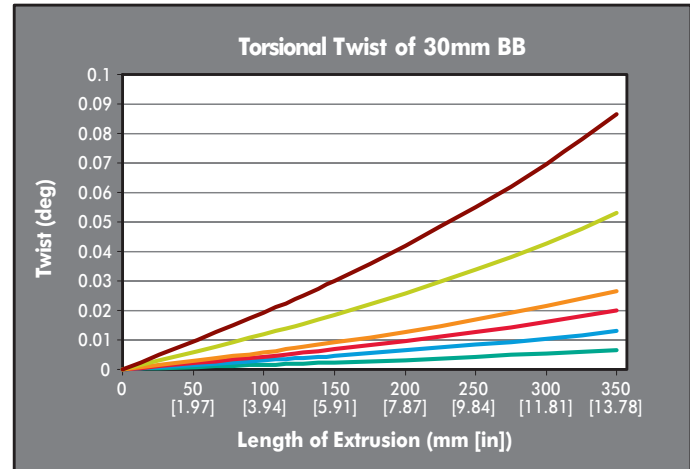
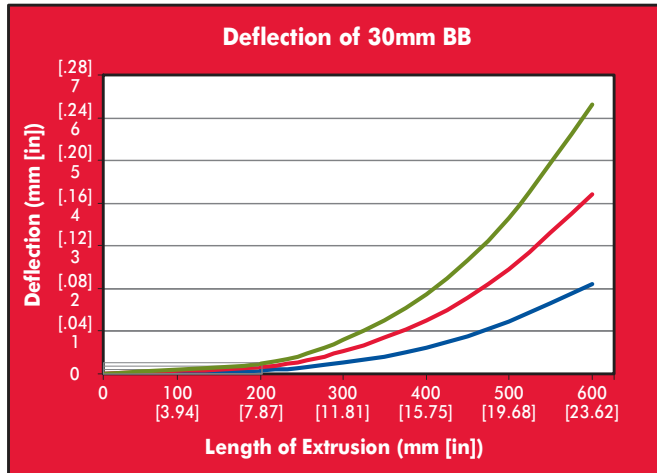
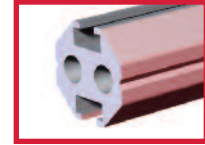
Model Number	Weight
B - 90 - (L) - 0	6.5 kg/m [4.4 lb/ft]

BodyBuilder™ Octagonal Aluminum Boom Structure 30mm Boom Deflection and Torsion Charts

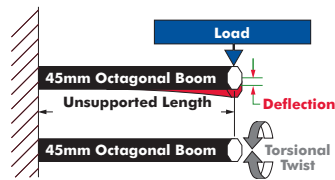


5 Kgf	11.0 lbf
10 Kgf	22.0 lbf
15 Kgf	33.0 lbf

100 Kgf-cm	86.8 lbf-in
200 Kgf-cm	173.6 lbf-in
300 Kgf-cm	260.4 lbf-in
400 Kgf-cm	347.2 lbf-in
800 Kgf-cm	694.4 lbf-in
1300 Kgf-cm	1128.4 lbf-in

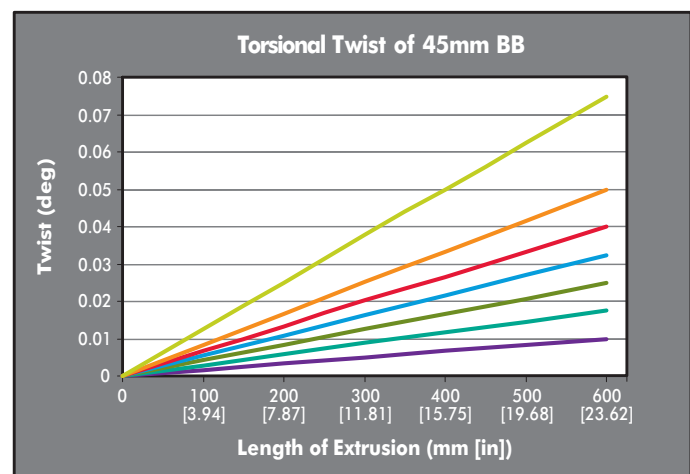
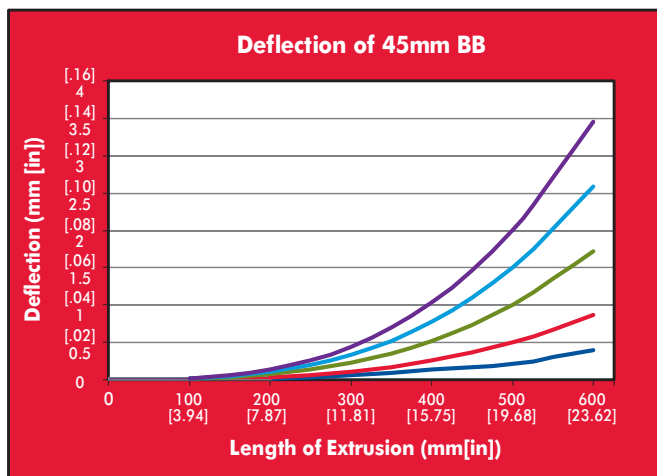


45mm Boom Deflection and Torsion Charts

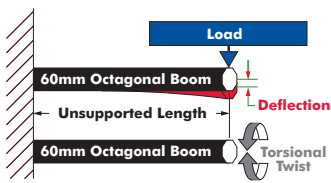


5 Kgf	11.0 lbf
10 Kgf	22.0 lbf
20 Kgf	44.1 lbf
30 Kgf	66.1 lbf
40 Kgf	88.2 lbf

400 Kgf-cm	347.2 lbf-in
700 Kgf-cm	607.6 lbf-in
1000 Kgf-cm	867.0 lbf-in
1300 Kgf-cm	1128.4 lbf-in
1600 Kgf-cm	1388.7 lbf-in
2000 Kgf-cm	1735.9 lbf-in
3000 Kgf-cm	2603.9 lbf-in

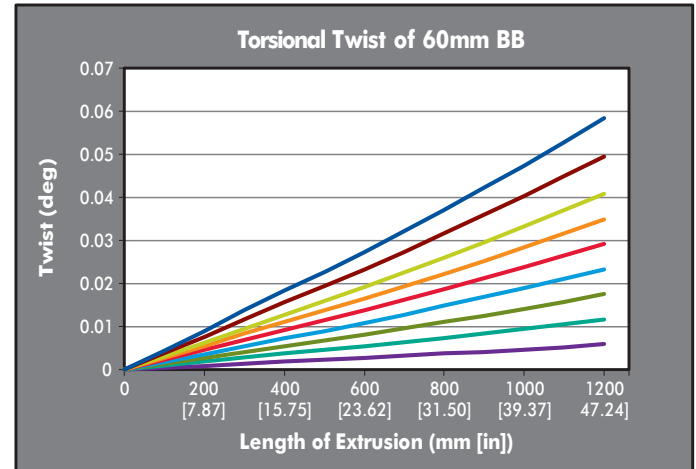
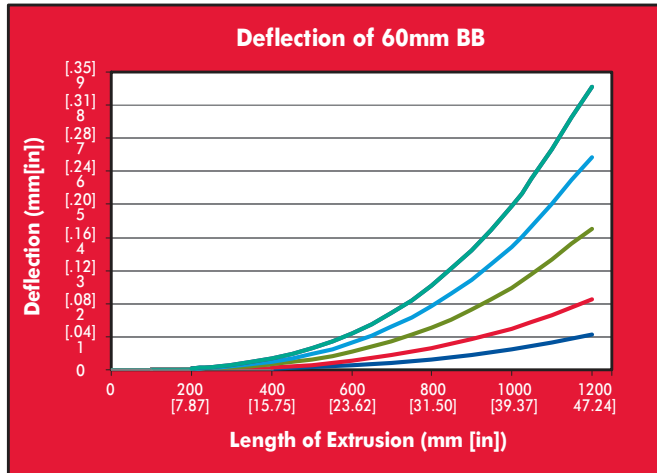
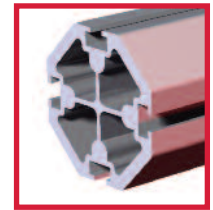


BodyBuilder™ Octagonal Aluminum Boom Structures 60mm Boom Deflection and Torsion Charts

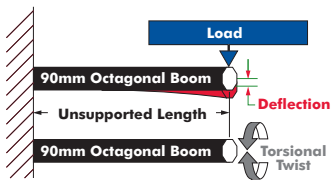


5 Kgf	11.0 lbf
10 Kgf	22.0 lbf
20 Kgf	44.1 lbf
30 Kgf	66.1 lbf
40 Kgf	88.2 lbf
50 Kgf	110.2 lbf

400 Kgf-cm	347.2 lbf-in
800 Kgf-cm	694.4 lbf-in
1200 Kgf-cm	1041.6 lbf-in
1600 Kgf-cm	1388.7 lbf-in
2000 Kgf-cm	1735.9 lbf-in
2400 Kgf-cm	2083.1 lbf-in
2800 Kgf-cm	2430.3 lbf-in
3400 Kgf-cm	2951.1 lbf-in
4000 Kgf-cm	3471.8 lbf-in

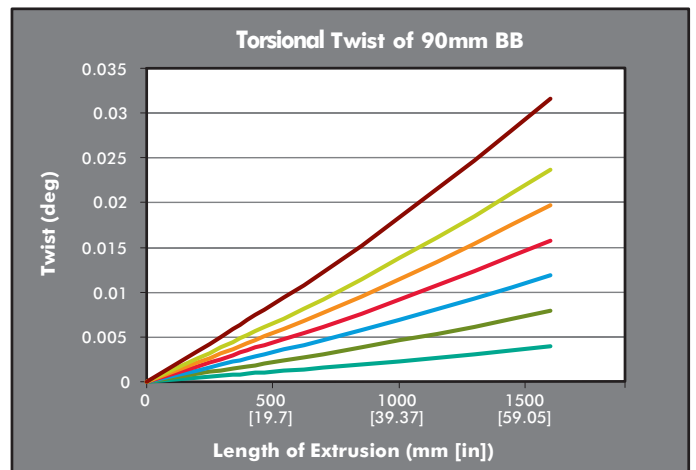
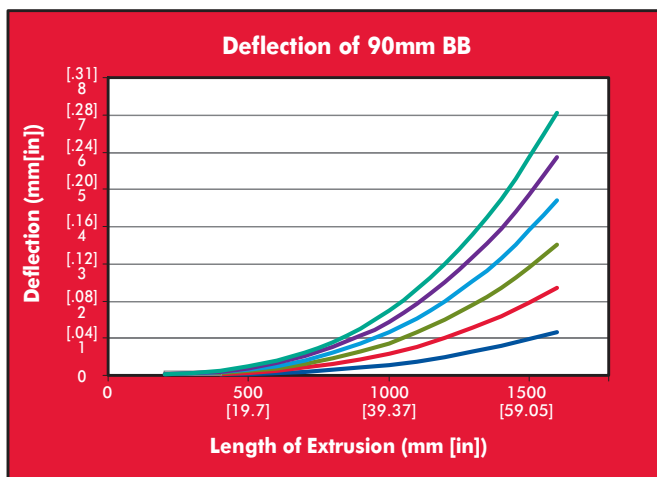
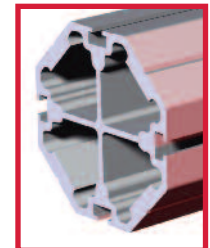


90mm Boom Deflection and Torsion Charts



10 Kgf	22.0 lbf
20 Kgf	44.1 lbf
30 Kgf	66.1 lbf
40 Kgf	88.2 lbf
50 Kgf	110.2 lbf
60 Kgf	132.3 lbf

1000 Kgf-cm	867.0 lbf-in
2000 Kgf-cm	1735.9 lbf-in
3000 Kgf-cm	2603.9 lbf-in
4000 Kgf-cm	3471.8 lbf-in
5000 Kgf-cm	4339.8 lbf-in
6000 Kgf-cm	5207.8 lbf-in
8000 Kgf-cm	6943.7 lbf-in



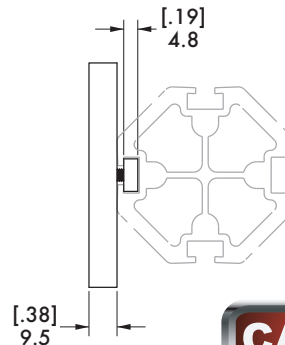
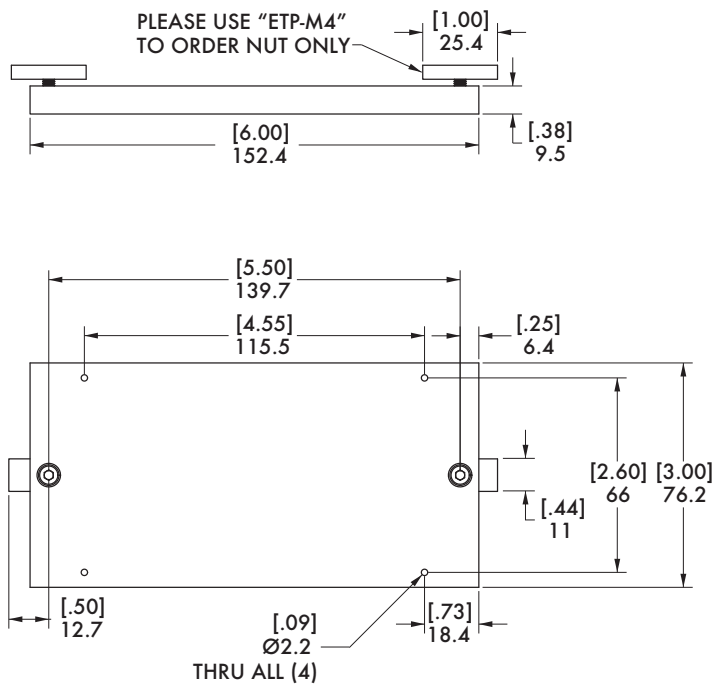
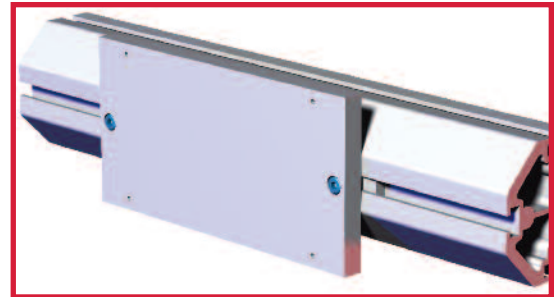
BodyBuilder™ Octagonal Aluminum Boom Structure ETP-35 Extrusion Accessory Mount

Features:

- Mount to 30, 45, 60, and 90 mm extrusion booms.
- Used to mount identification tag.

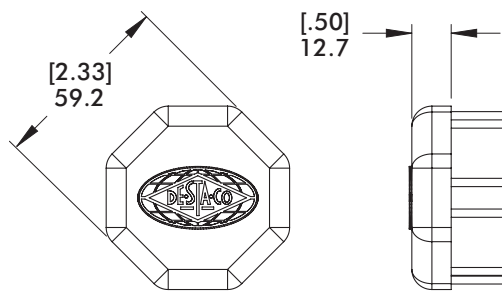
Specifications:

Material: Aluminum



Model Number	Weight
CPI-ETP-35	.31 kg [.68 lb]

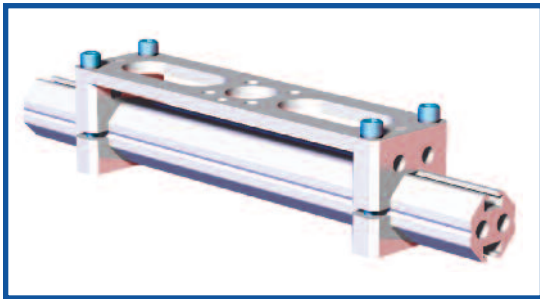
EC-60 60mm Bodybuilder Octagonal Boom End Cap



Model Number	Weight
CPI-EC-60B	.04 kg [.09 lb]

BodyBuilder™ Structure Mid Mount Assemblies

RMM-30B-40BC-08-90 Single Extrusion 30mm Mid Mount with 40mm Bolt Circle

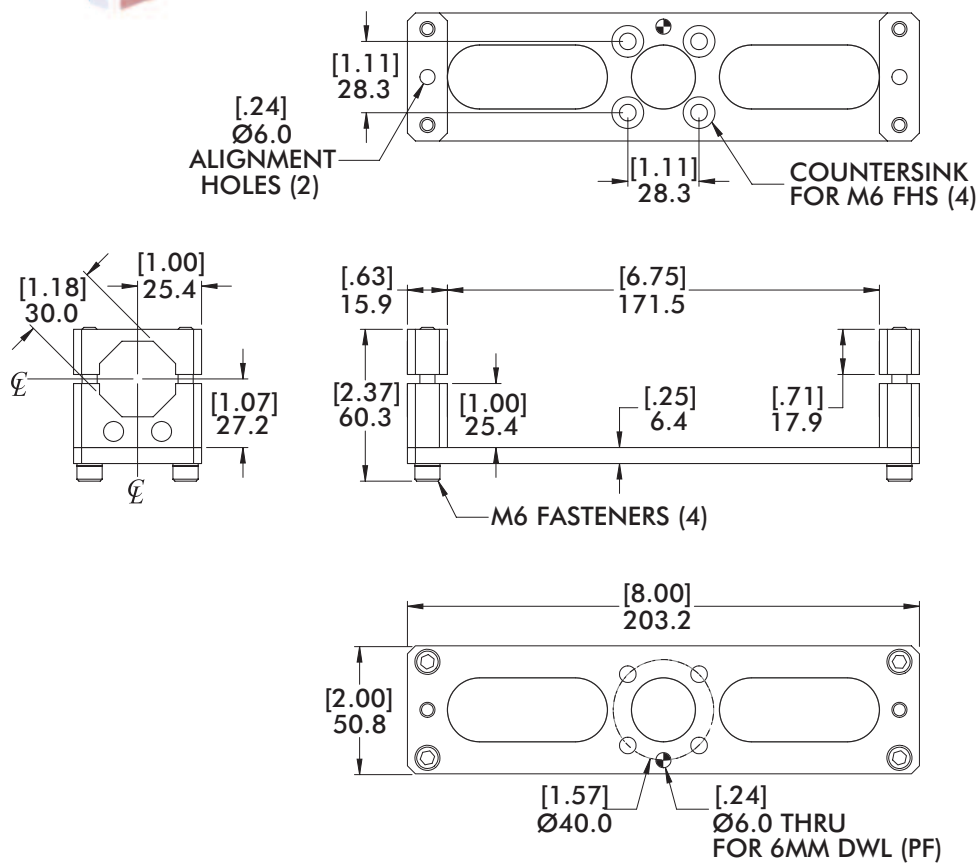
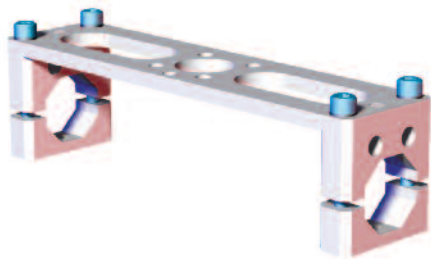


Specifications:

Max. Static Product Load:
102 N*m [75 ft-lb]
Material: Aluminum

Features:

- Mounts a single 30mm extrusion boom inline with the two mounts.
- Can be mounted to robot interface with a 40mm bolt circle.



Model Number	Weight
CPI-RMM-30B-40BC-08-90	.28 kg [.62 lb]

BodyBuilder™ Structure Mid Mount Assemblies

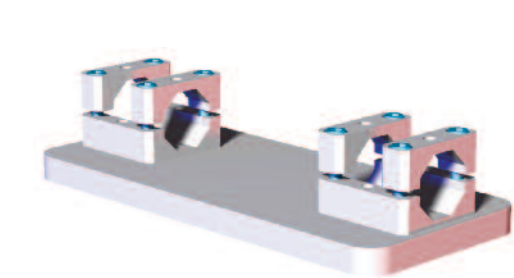
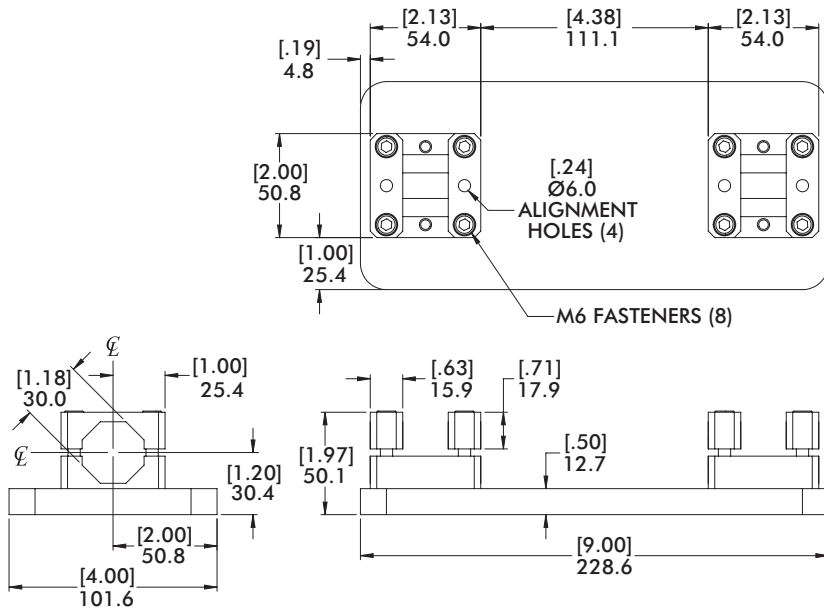
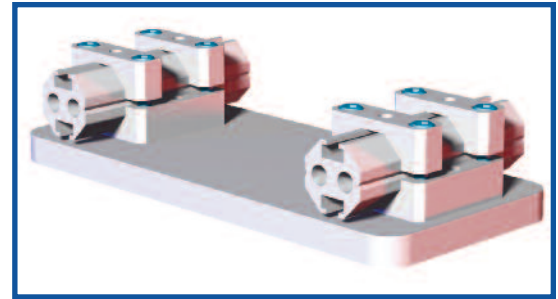
RMM-30B-SE Single Extrusion 30mm Robot Adaptor Mid Mount

Features:

- Mounts a single 60mm extrusion boom inline with the two mounts.
- Plate can be machined or left blank.

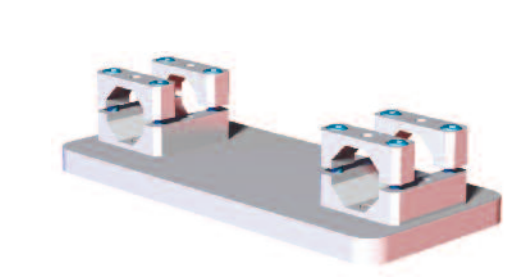
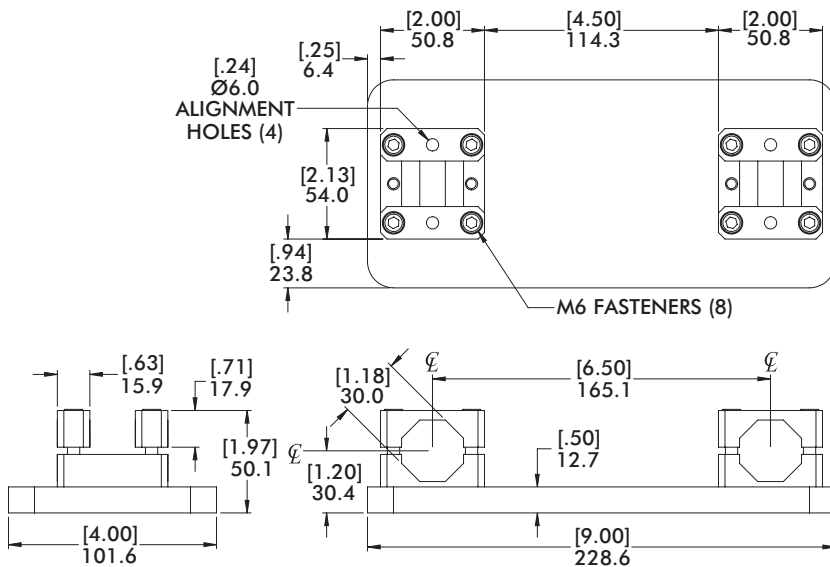
Specifications:

Max. Static Product Load:
102 N*m [75 ft-lb]
Material: Aluminum



Model Number	Weight
CPI-RMM-30B-SE	1.05 kg [2.31 lb]

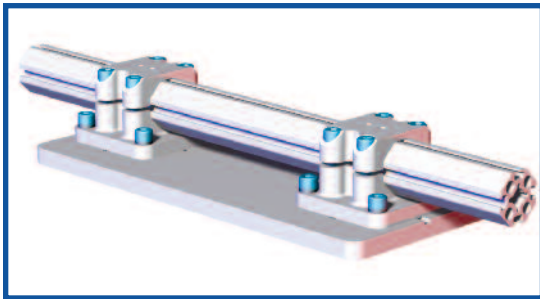
RMM-30B-DE Double Extrusion 30mm Robot Adaptor Mid Mount



Model Number	Weight
CPI-RMM-30B-DE	1.05 kg [2.31 lb]

BodyBuilder™ Structure Mid Mount Assemblies

BM1-45-SE Single Extrusion 45mm Mid Mount

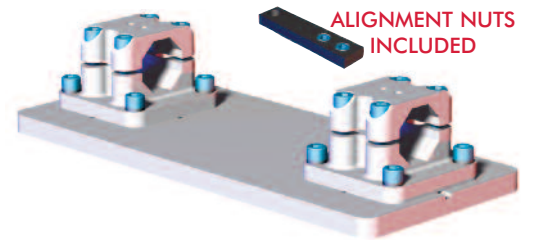
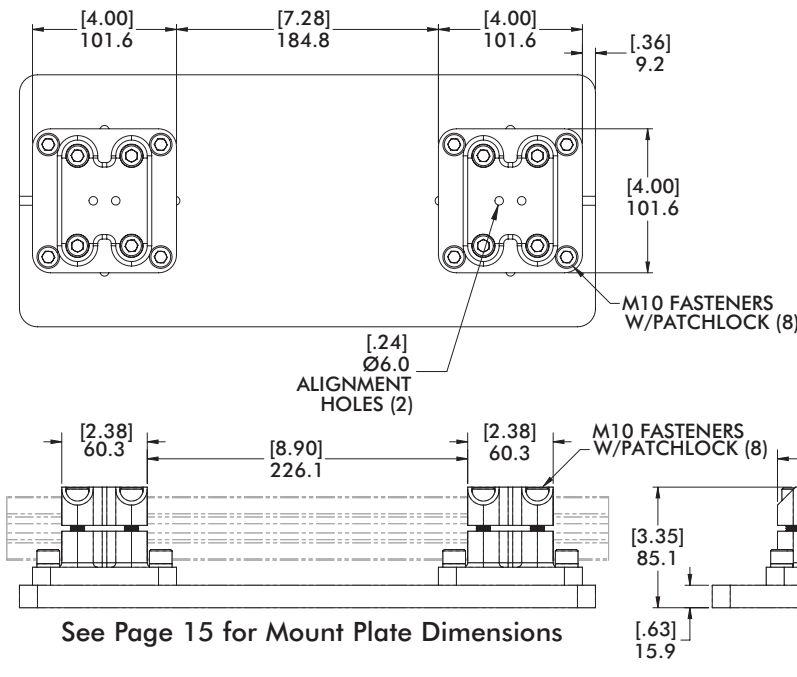


Specifications:

Max. Static Product Load:
350 N*m [475 ft-lb]
Material: Aluminum

Features:

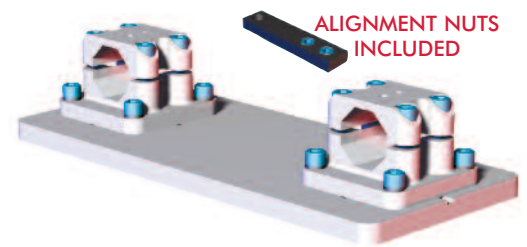
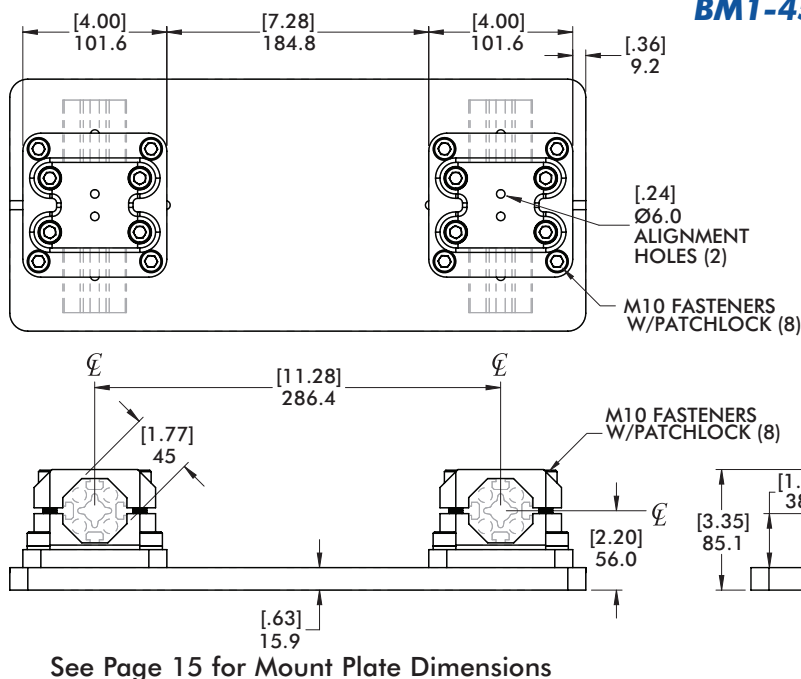
- Mounts a single 45mm extrusion boom inline with the two mounts.
- Plate can be machined or left blank.
- Can be supplied with robot interface hole patterns. (See pages 20-22).



BM1-45	SE	RXX
MODEL	BOOM SETUP (SINGLE)	ROBOT INTERFACE PATTERN (PAGE 20-22)

Weight
5.05 kg [11.1 lb]

BM1-45-DE Double Extrusion 45mm Mid Mount



BM1-45	DE	RXX
MODEL	BOOM SETUP (DOUBLE)	ROBOT INTERFACE PATTERN (PAGE 20-22)

Weight
5.05 kg [11.1 lb]



BodyBuilder™ Structure Mid Mount Assemblies

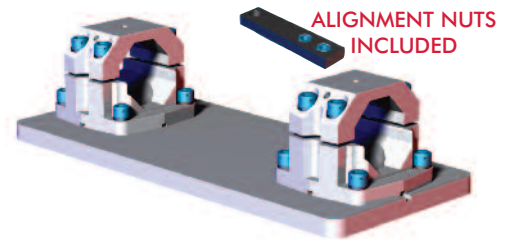
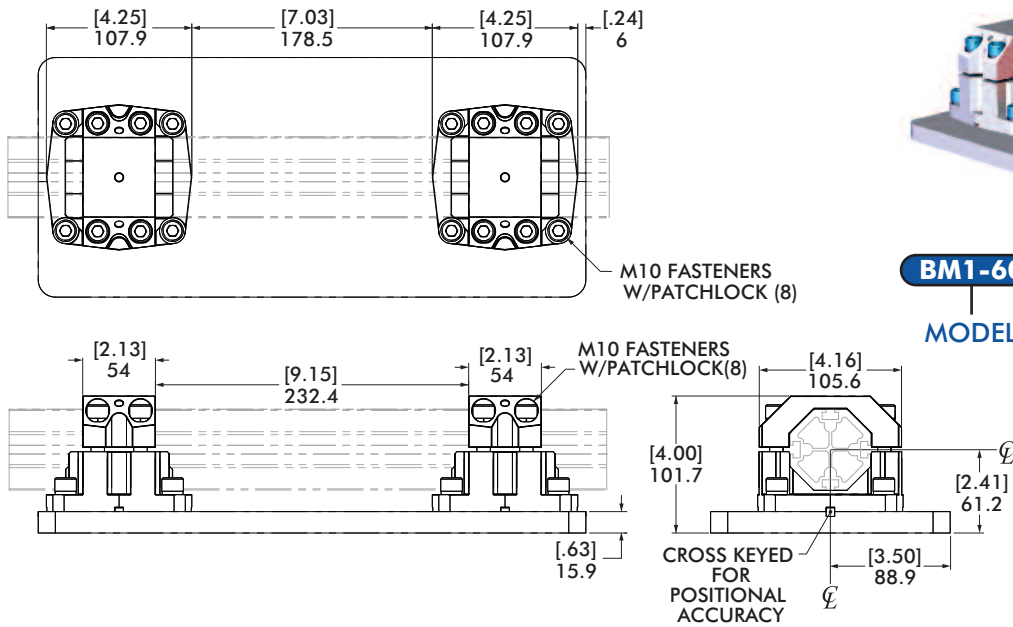
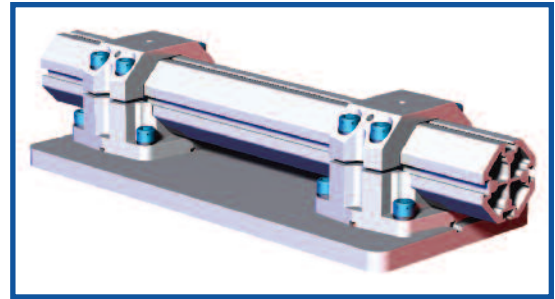
BM1-60-SE 60mm Single Extrusion Mid Mount Assembly

Features:

- Mounts a single 60mm extrusion boom inline with the two mounts.
- Plate can be machined or left blank.
- Can be supplied with robot interface hole patterns. (See pages 20-22).

Specifications:

Max. Static Product Load:
675 N*m [500 ft-lb]
Material: Aluminum

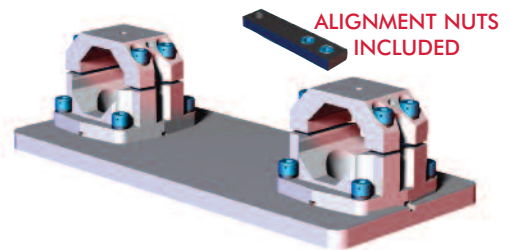
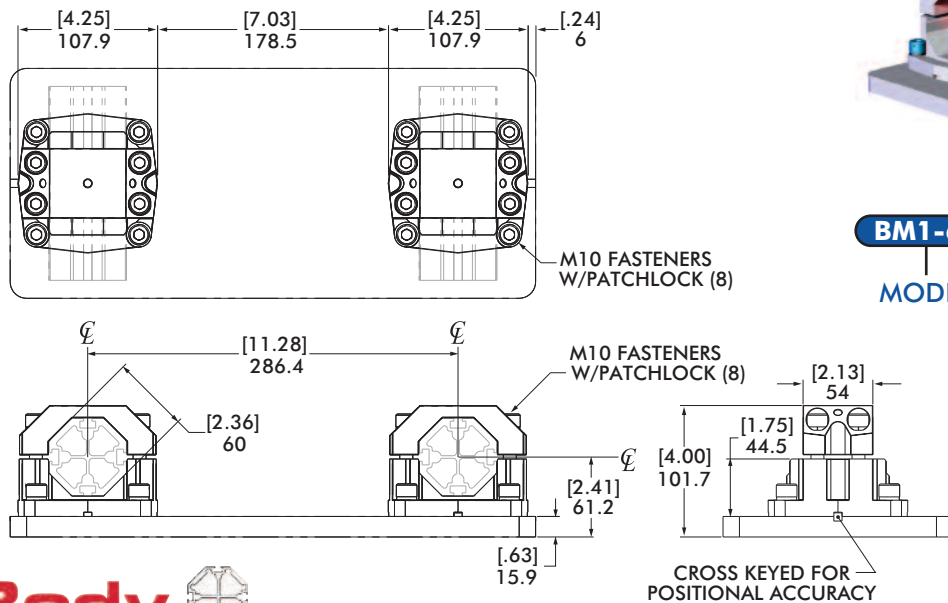


BM1-60 — **SE** — **RXX**
MODEL — **BOOM SETUP (SINGLE)** — **ROBOT INTERFACE PATTERN (PAGE 20-22)**

See Page 15 for Mount Plate Dimensions

Weight
5.2 kg [11.5 lb]

BM1-60-DE 60mm Double Extrusion Mid Mount Assembly



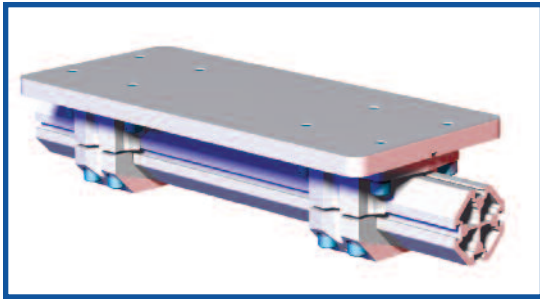
BM1-60 — **DE** — **RXX**
MODEL — **BOOM SETUP (DOUBLE)** — **ROBOT INTERFACE PATTERN (PAGE 20-22)**

See Page 15 for Mount Plate Dimensions

Weight
5.2 kg [11.5 lb]

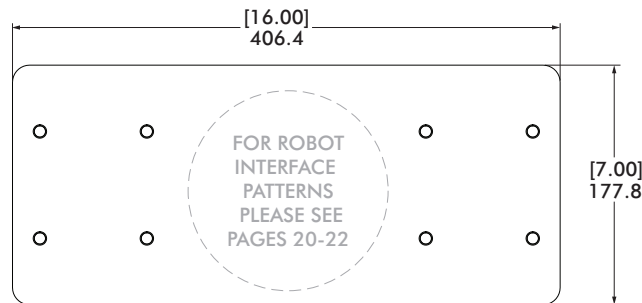
BodyBuilder™ Structure Mid Mount Assemblies

BM1-45/BM1-60 Mid Mount Assembly - Mount Plate

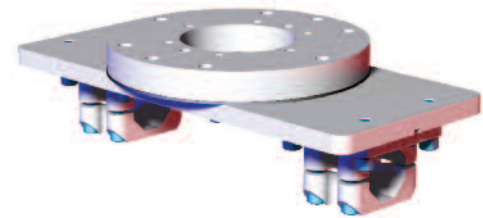
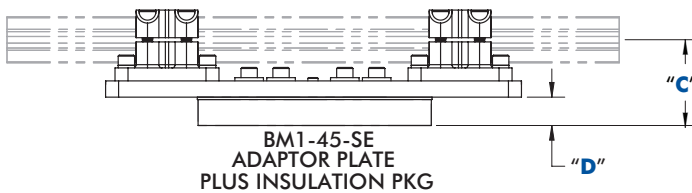
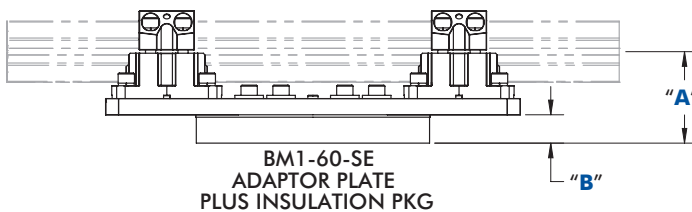


Specifications:
Material: Aluminum

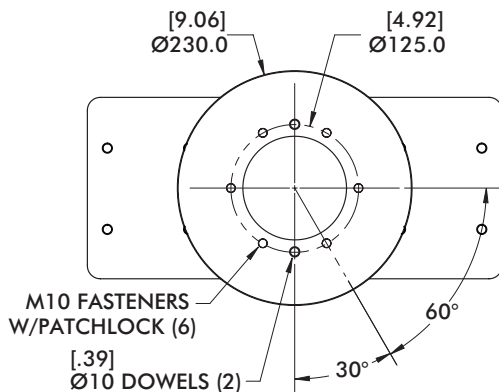
- Features:**
- Can be machined or left blank.
 - Can be supplied with robot interface hole patterns. (See pages 20-22).



BM1-45/BM1-60 Mid Mount Assembly - Adapter Plate



All mounting patterns on pages 20-22 can be used for **BM1-60** and **BM1-45** Mid Mount Assemblies. All $\text{\O}200\text{mm}$ mounting patterns, when used on the **BM1-45** and **BM1-60**, includes an Adapter Plate as shown.



MID MOUNT ASSEMBLY ADAPTER PLATE				
PATTERN	"A"	"B"	"C"	"D"
R01, R10, R11, R16	89.6 [3.53]	27.8 [1.09]	83.8 [3.30]	27.8 [1.09]
R07, R09	96.0 [3.78]	34.1 [1.34]	99.6 [3.92]	34.1 [1.34]

BodyBuilder™ Structure Mid Mount Assemblies

RM4-60 60mm Heavy Duty Mid Mount Assembly - Dimensions

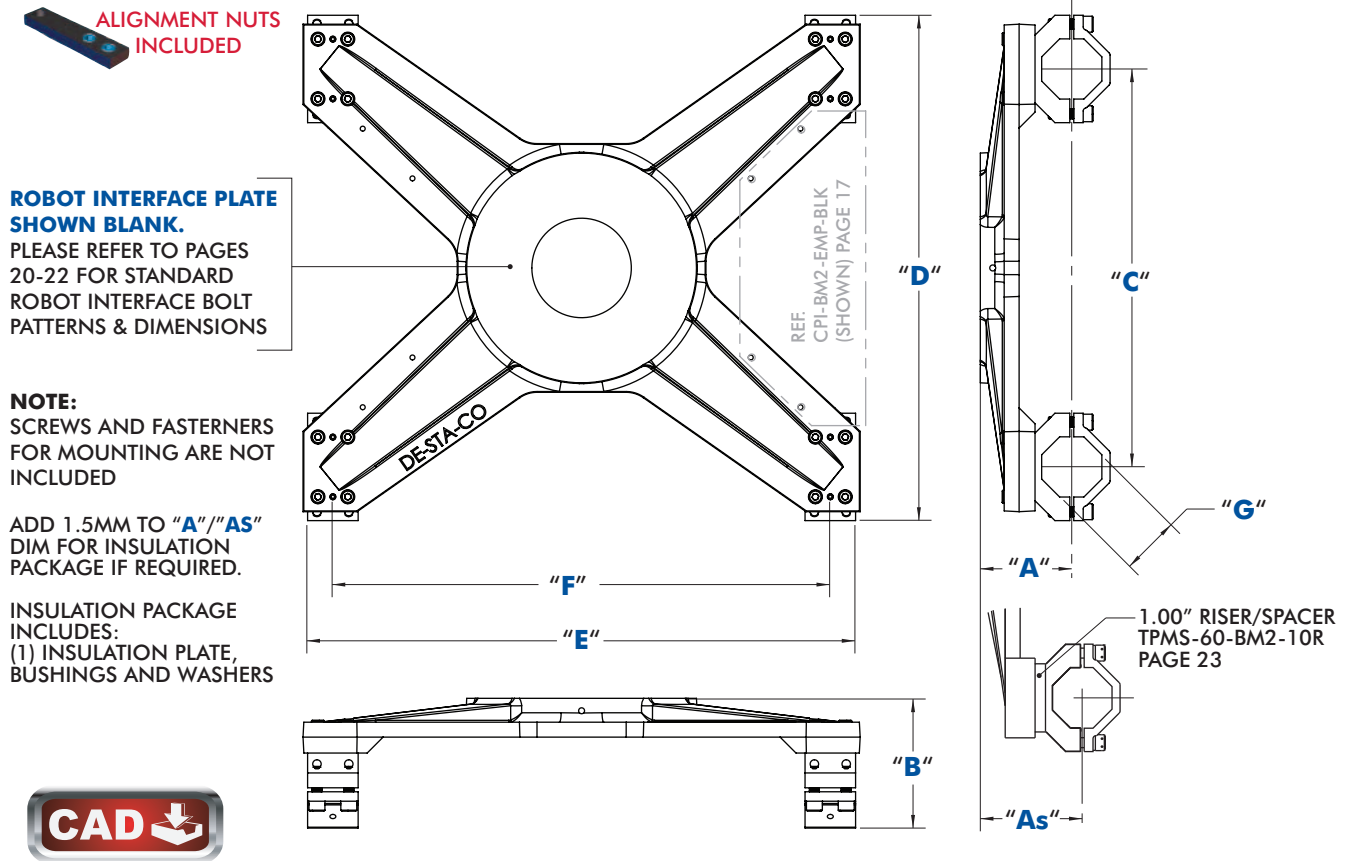
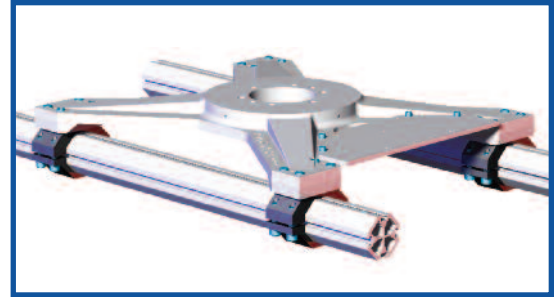
Features:

- Can be used as a direct robot interface.
- Provide robust clamping of each extrusion for maximum stability.
- Standard robot interface patterns provided. Plate can also be left blank.

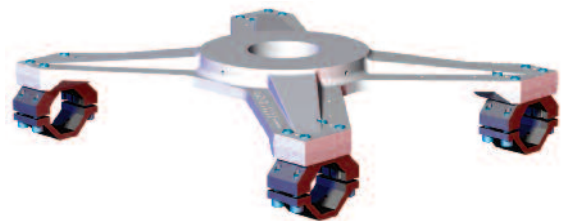
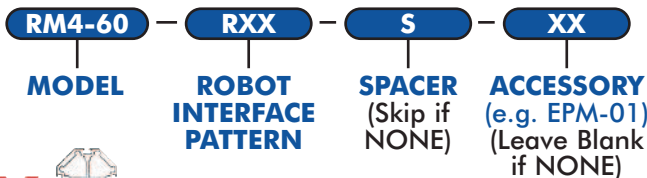
Specifications:

Max. Static Product Load:
453.6 kg [1000 lb]

Material:
Mid Mount:
Cast Aluminum
Clamps: Steel

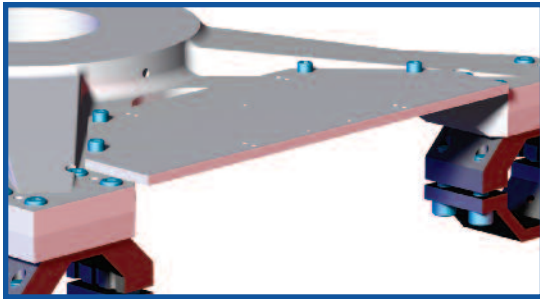


HEAVY-DUTY MID MOUNT ASSEMBLY DIMENSIONS									
MODEL	"A"	"As"	"B"	"C"	"D"	"E"	"F"	"G"	WEIGHT
RM4-60 (60mm)	91.9 [3.62]	117.3 [4.62]	131.7 [5.185]	400.0 [15.75]	508 [20.00]	560.8 [22.05]	500.0 [19.69]	60	14.71 kg [32.43 lb]



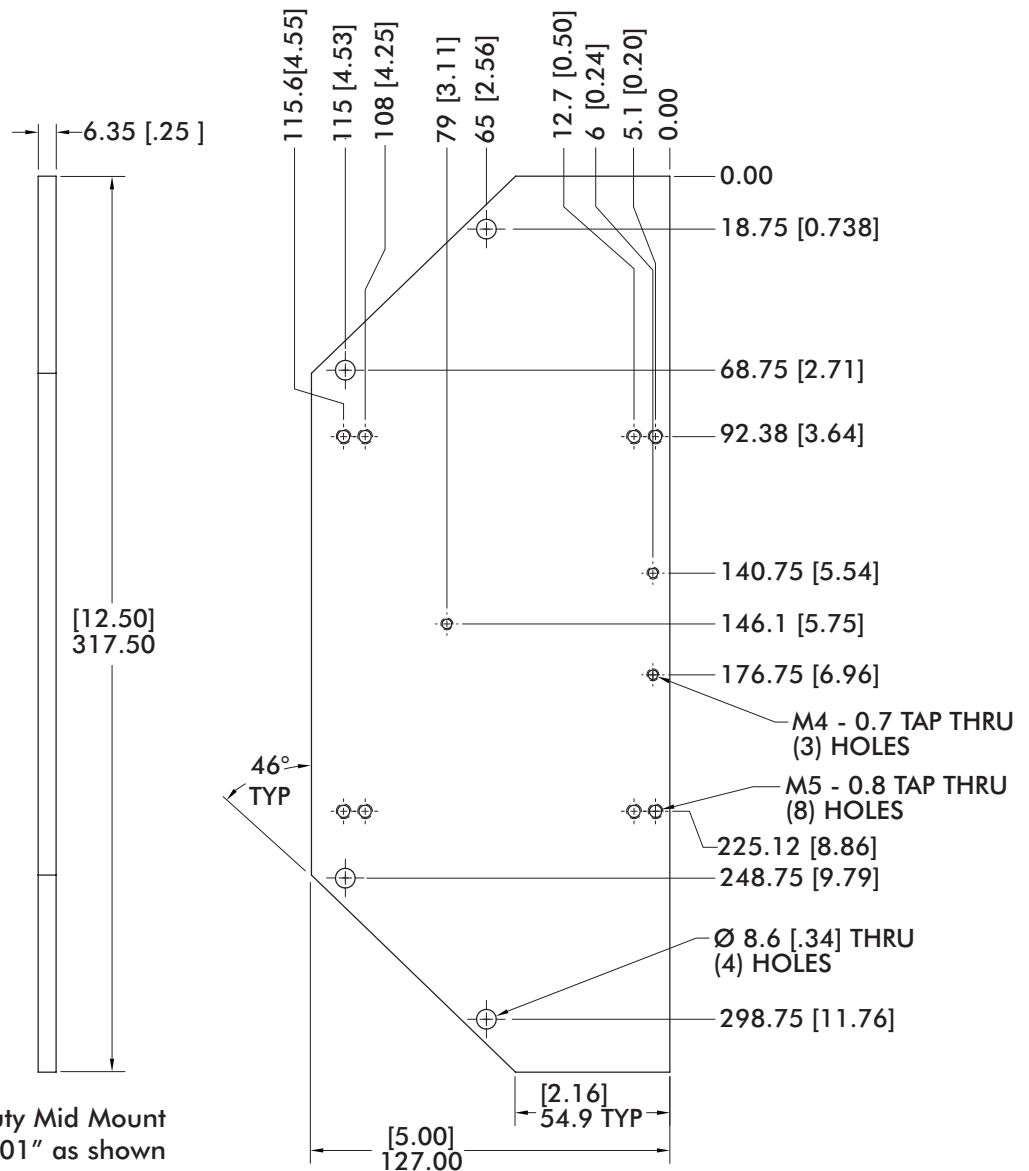
BodyBuilder™ Structure Mid Mount Assemblies

BM2-EPM Accessory Mount Plate



Specifications:
Material: Aluminum

- Features:**
- Mount directly to the RM4-60 Heavy Duty Mid-Mount Assembly.
 - Used to mount pneumatic manifolds and electric proximity blocks.



When ordering with Heavy Duty Mid Mount Please add designation "EPM-01" as shown
RM4-60-RXX-EPM-01 or
add designation "EPM-BLK" to order blank
RM4-60-RXX-EPM-BLK

To order separately use Model Number

Model Number	Weight
CPI-BM2-EPM-xx	.63 kg [1.39 lb]



BodyBuilder™ Structure Mid Mount Assemblies

BM3-90 90mm Heavy Duty Mid Mount Assembly - Dimensions

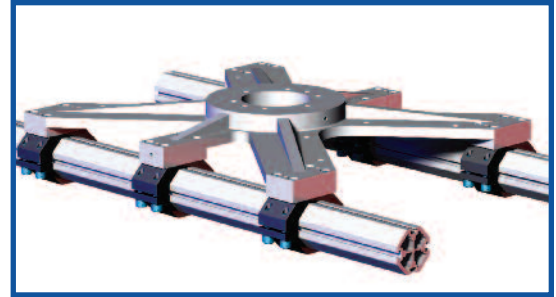
Features:

- Can be used as a direct robot interface.
- Provide robust clamping of each extrusion for maximum stability.
- Standard robot interface patterns provided. Plate can also be left blank.

Specifications:

Max. Static Product Load:
589.7 kg [1300 lb]

Material:
Mid Mount: Cast Aluminum
Clamps: Steel

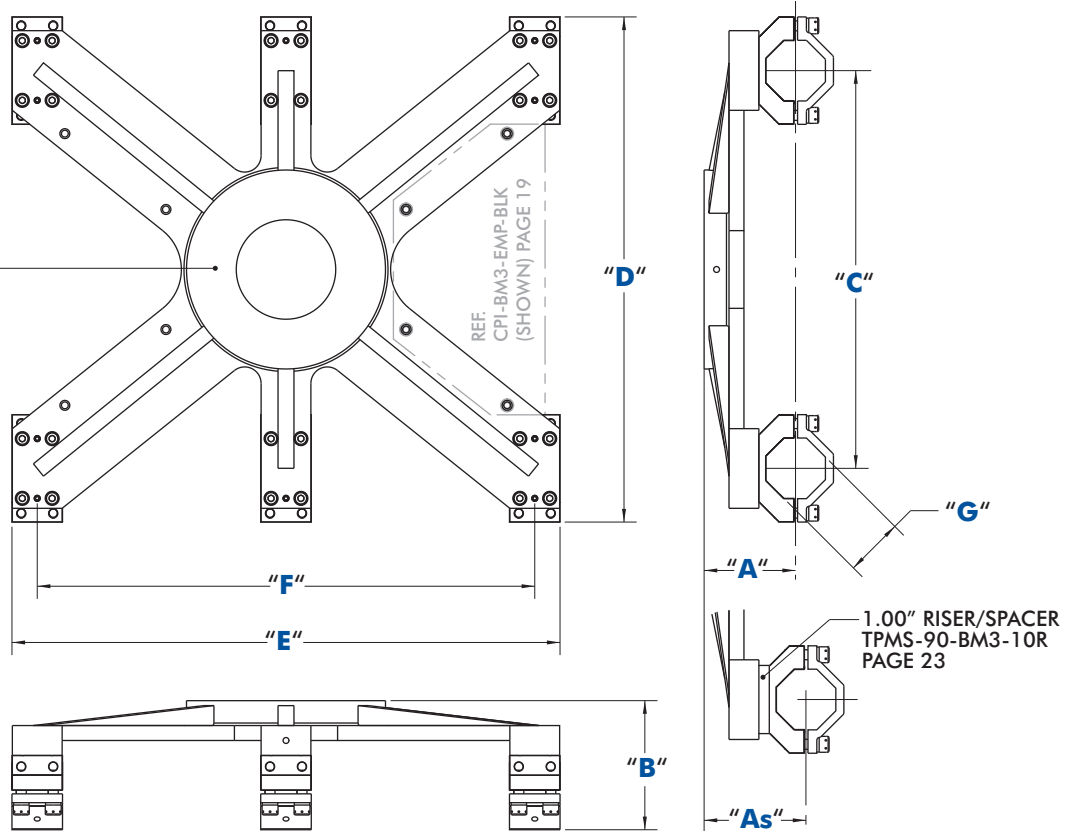


ROBOT INTERFACE PLATE SHOWN BLANK.
PLEASE REFER TO PAGES 20-22 FOR STANDARD ROBOT INTERFACE BOLT PATTERNS & DIMENSIONS

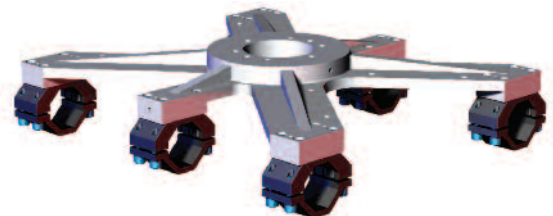
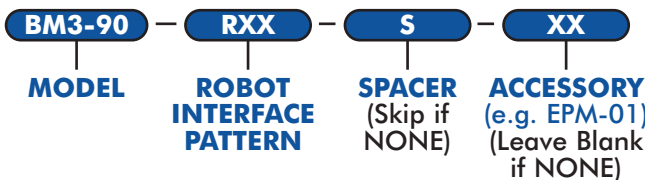
NOTES:
SCREWS AND FASTENERS FOR MOUNTING ARE NOT INCLUDED

ADD 1.5MM TO "A"/"AS" DIM FOR INSULATION PACKAGE IF REQUIRED.

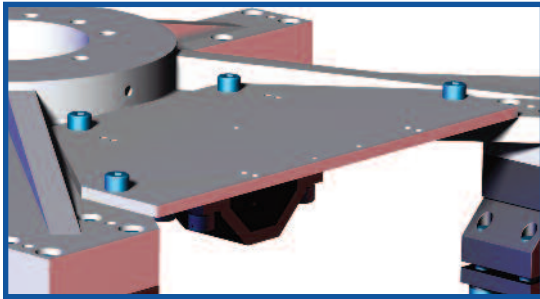
INSULATION PACKAGE INCLUDES:
(1) INSULATION PLATE, BUSHINGS AND WASHERS



HEAVY-DUTY MID MOUNT ASSEMBLY DIMENSIONS									
MODEL	"A"	"As"	"B"	"C"	"D"	"E"	"F"	"G"	WEIGHT
BM3-90	107.8 [4.24]	133.2 [5.24]	165.3 [6.51]	600.0 [23.62]	738.0 [29.06]	750.0 [29.53]	700.0 [29.53]	90	24.1 kg [53.1 lb]

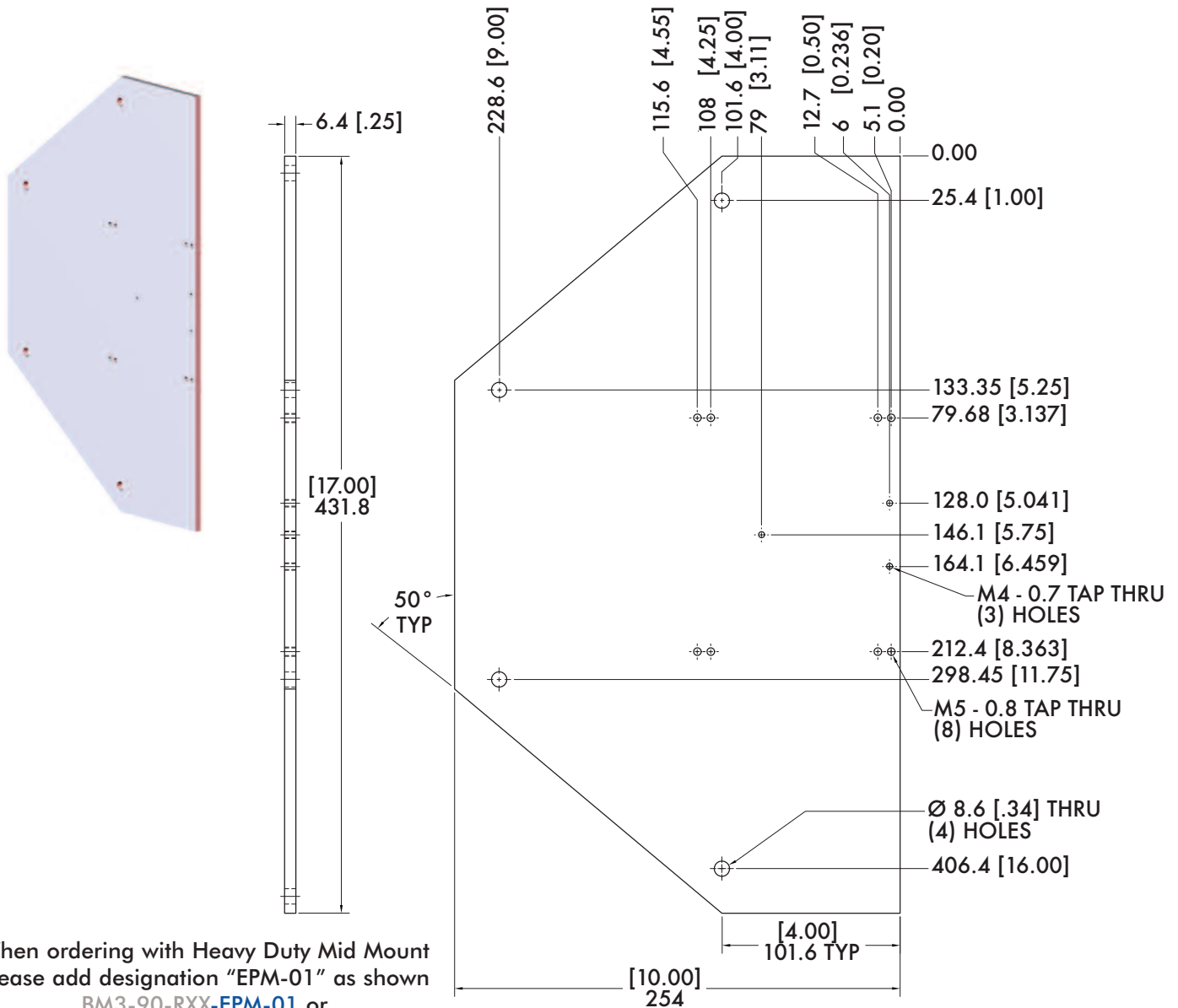


BodyBuilder™ Structure Mid Mount Assemblies
BM3-EPM Accessory Mount Plate



Specifications:
 Material: Aluminum

- Features:**
- Mount directly to the BM3-90 Heavy Duty Mid-Mount Assembly.
 - Used to mount pneumatic manifolds and electric proximity blocks.



When ordering with Heavy Duty Mid Mount Please add designation "EPM-01" as shown
 BM3-90-RXX-EPM-01 or
 add designation "EPM-BLK" to order blank
 BM3-90-RXX-EPM-BLK

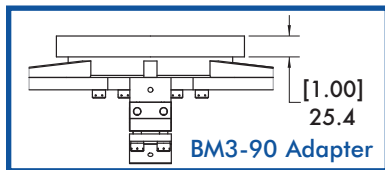
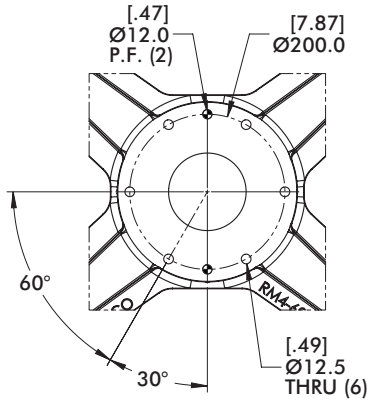
To order separately use Model Number

Model Number	Weight
CPI-BM3-EPM-xx	1.54 kg [3.39 lb]

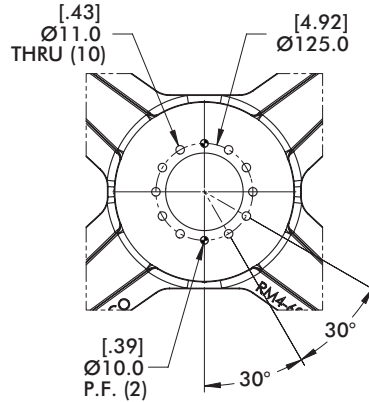


BodyBuilder™ Structure Mid Mount Assemblies
Robot Interface Bolt Patterns

R01 (Ø200mm Bolt Circle)



R02 (Ø125mm Bolt Circle)

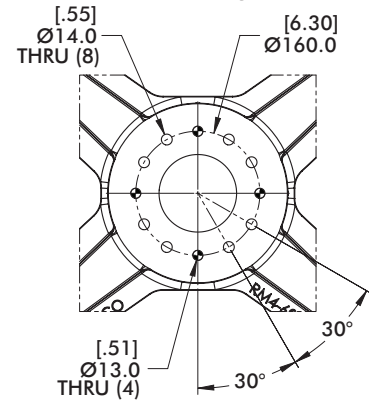


R03 (Ø160mm Bolt Circle)

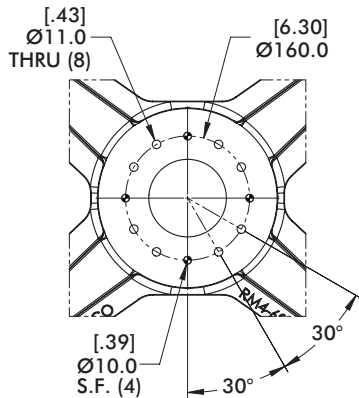


Includes Insulation

Add 1.5mm to Height Dim "A"/"AS"



R04 (Ø160mm Bolt Circle)

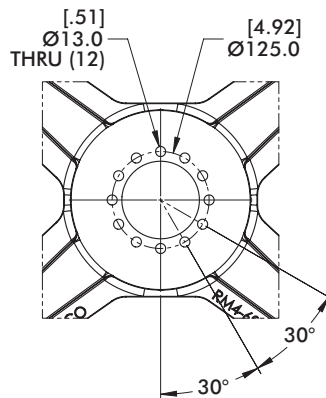


R05 (Ø125mm Bolt Circle)

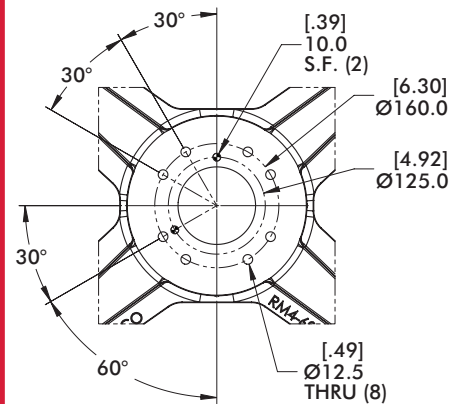
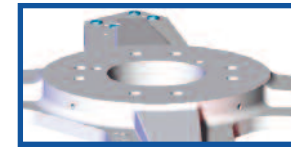


Includes Insulation

Add 1.5mm to Height Dim "A"/"AS"

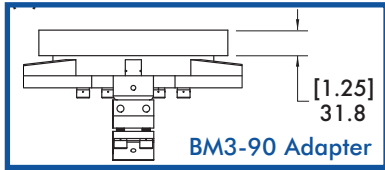
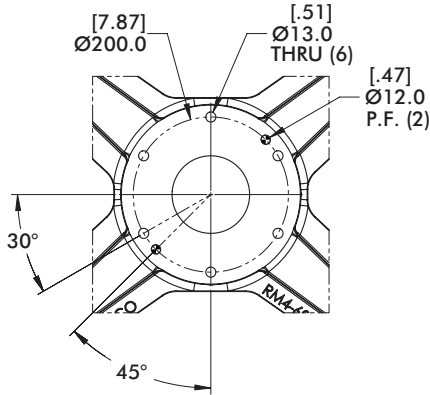


R06 (Ø125/160mm Bolt Circle)



BodyBuilder™ Structure Mid Mount Assemblies
Robot Interface Bolt Patterns

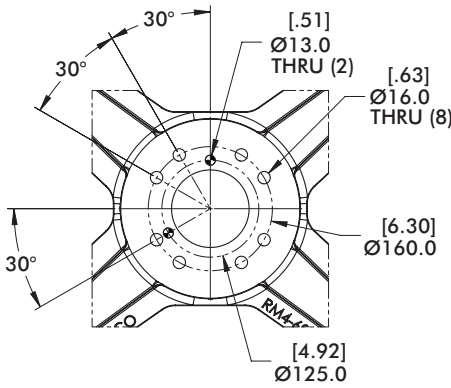
R07 (Ø200mm Bolt Circle)



R08 (Ø125/160mm Bolt Circle)



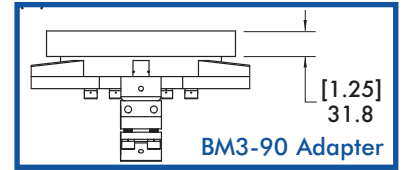
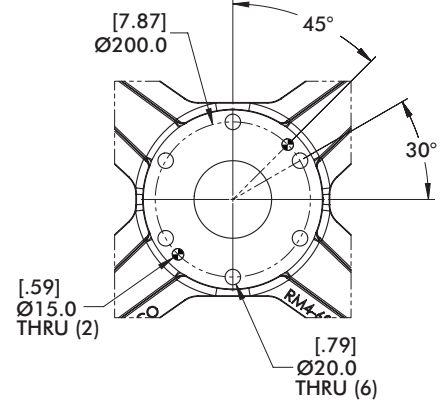
Includes Insulation
Add 1.5mm to Height Dim "A"/"AS"



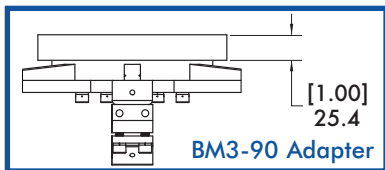
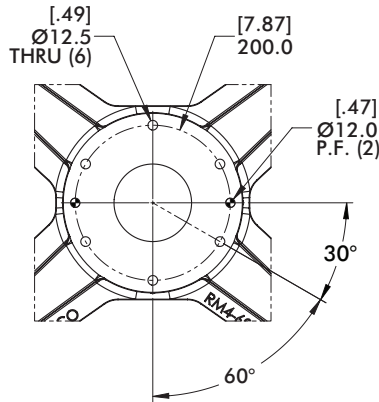
R09 (Ø200mm Bolt Circle)



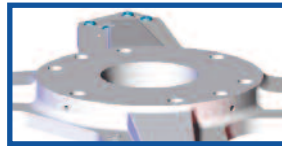
Includes Insulation
Add 1.5mm to Height Dim "A"/"AS"



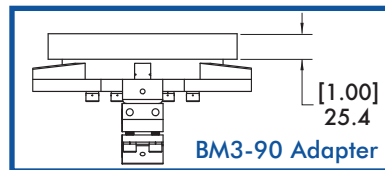
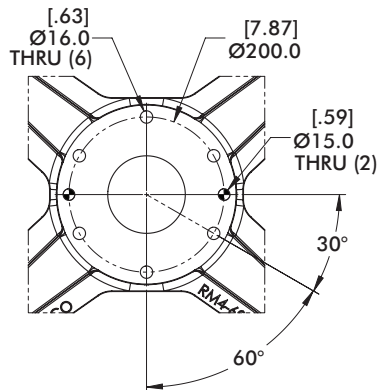
R10 (Ø200mm Bolt Circle)



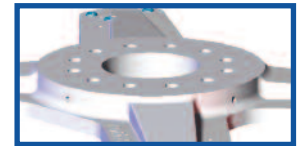
R11 (Ø200mm Bolt Circle)



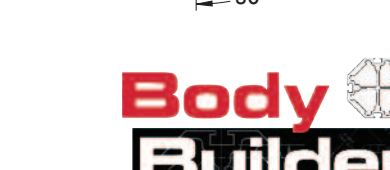
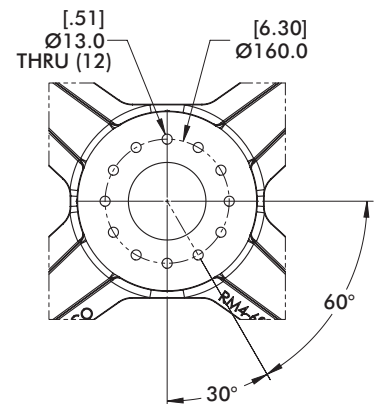
Includes Insulation
Add 1.5mm to Height Dim "A"/"AS"



R12 (Ø160mm Bolt Circle)

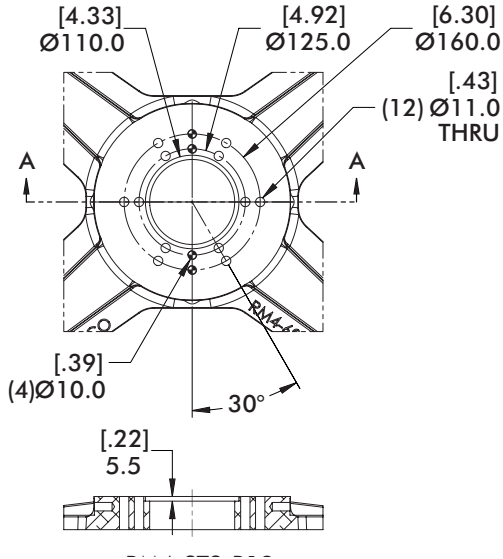


Includes Insulation
Add 1.5mm to Height Dim "A"/"AS"

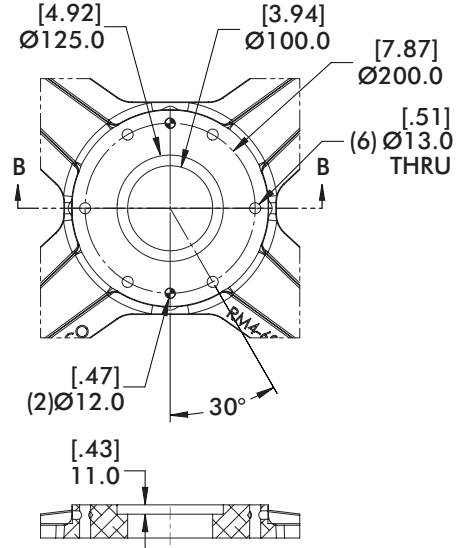
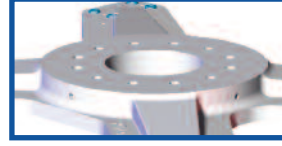


BodyBuilder™ Structure Mid Mount Assemblies
Robot Interface Bolt Patterns

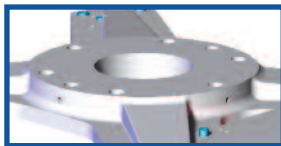
**R13 (Ø125/160mm Bolt Circle)
(Ø110mm Pilot, 5.5mm Deep)**



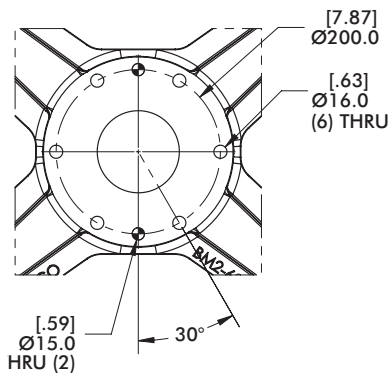
**R14 (Ø200mm Bolt Circle)
(Ø125mm Pilot, 11mm Deep)**



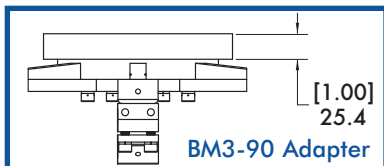
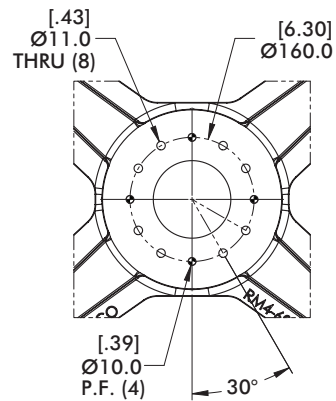
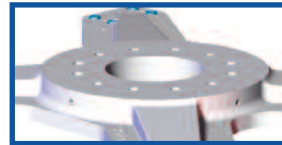
R16 (Ø200mm Bolt Circle)



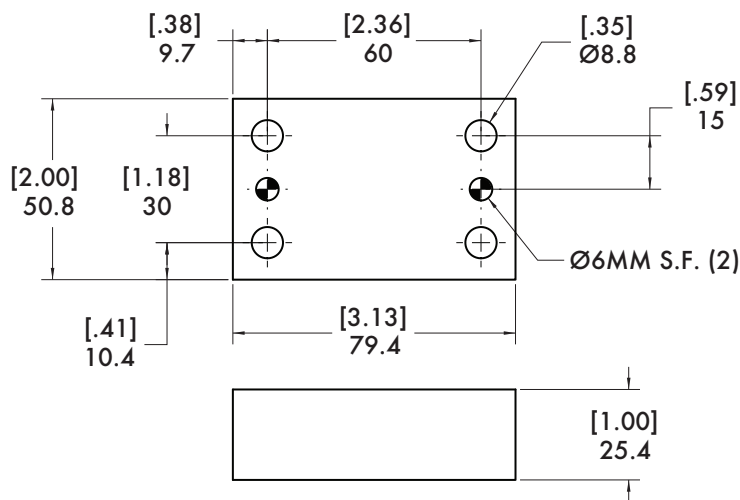
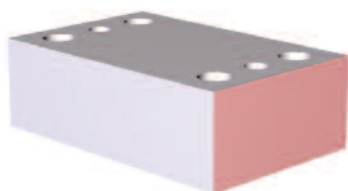
Includes Insulation
Add 1.5mm to Height Dim "A"/"AS"



R17 (Ø160mm Bolt Circle)



BodyBuilder™ Structure Mid Mount Assemblies RM4-60 Heavy Duty Mid Mount Assembly - 1.00" Riser/Spacer



When ordering with Heavy Duty Mid Mount add designation (S) as shown:

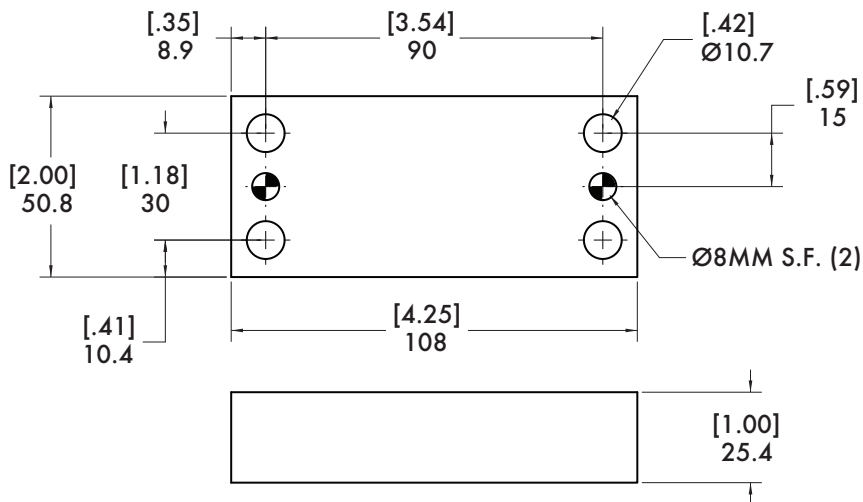
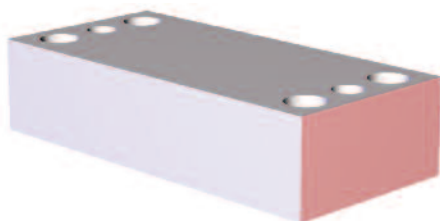
RM4-60-RXX-S

To order Riser separately use Model Number.

Model Number	Weight
TPMS-60-BM2-10R	.26 kg [.56 lb]

Specifications:
Material: Aluminum

BM3-90 Heavy Duty Mid Mount Assembly - 1.00" Riser/Spacer



When ordering with Heavy Duty Mid Mount add designation (S) as shown:

BM3-90-RXX-S

To order Riser separately use Model Number.

Model Number	Weight
TPMS-90-BM3-10R	.34 kg [.76 lb]

Specifications:
Material: Aluminum



BodyBuilder™ Structure Mid Mount Assemblies

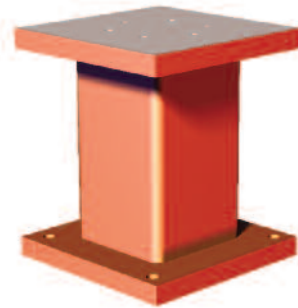
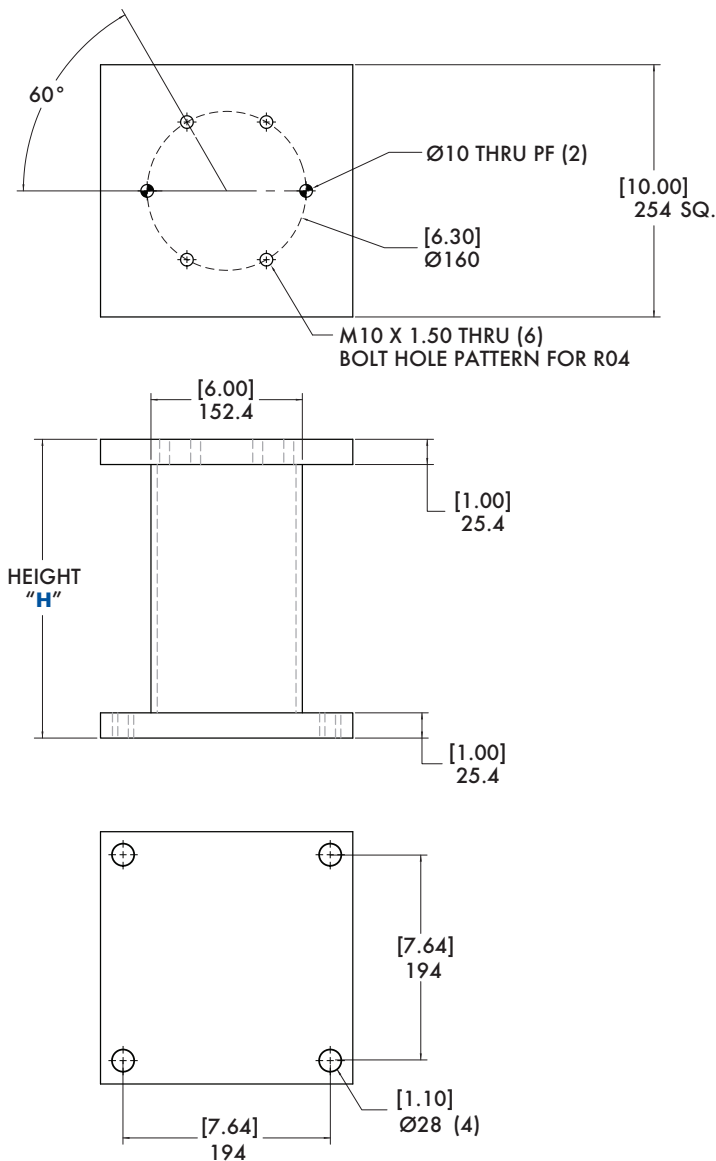
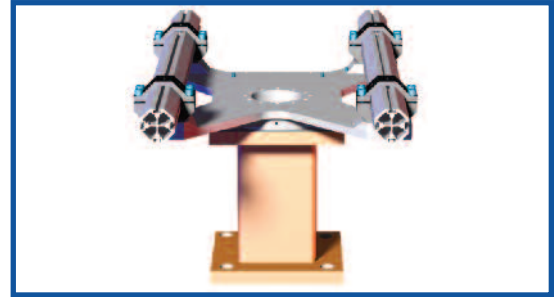
HTW 6" SQ. Pedestal Hold Table Weldment

Features:

- Pedestal Hold Table Weldment when used in conjunction with Mid Mount assemblies serves as a pedestal base for a robust parts nest.

Specifications:

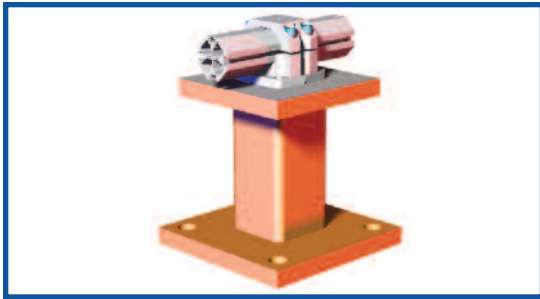
Material: Steel



CPI-HTW-"H" HOLD TABLE WELDMENT

"H"	Model Number	WEIGHT
250	CPI-HTW-250	32.43 kg [71.30lb]
300	CPI-HTW-300	33.75 kg [74.40lb]
350	CPI-HTW-350	35.16 kg [77.50lb]
400	CPI-HTW-400	36.56 kg [80.60lb]
450	CPI-HTW-450	37.97 kg [83.70lb]
500	CPI-HTW-500	39.37 kg [86.81lb]
550	CPI-HTW-550	40.78 kg [89.91lb]
600	CPI-HTW-600	42.19 kg [93.01lb]
650	CPI-HTW-650	43.59 kg [96.11lb]
700	CPI-HTW-700	45.00 kg [99.21lb]
750	CPI-HTW-750	46.41 kg [102.31lb]
800	CPI-HTW-800	47.81 kg [105.41lb]
850	CPI-HTW-850	49.22 kg [108.51lb]
900	CPI-HTW-900	50.62 kg [111.61lb]

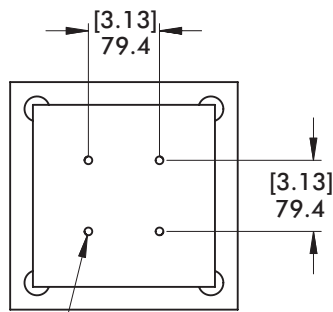
BodyBuilder™ Structure Mid Mount Assemblies HTW-4 4" SQ. Pedestal Hold Table Weldment



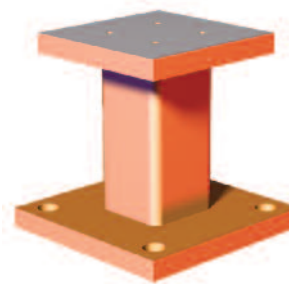
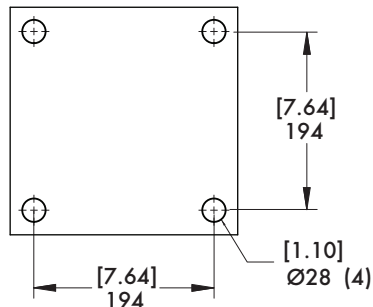
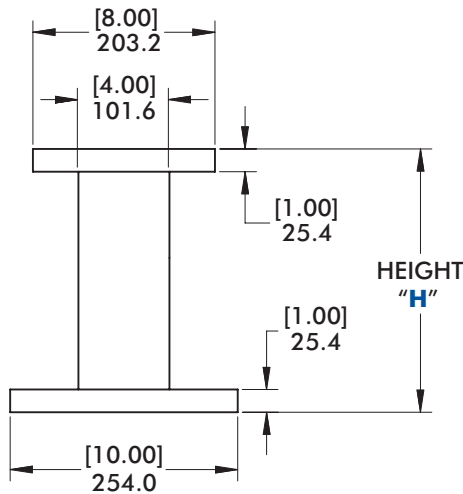
Specifications:
Material: Steel

Features:

- Pedestal Hold Table Weldment when used in conjunction with 45mm or 60mm flange and end mount assemblies serves as a pedestal base for a robust parts nest.



M10 X 1.50 THRU (6)
HOLE PATTERN FOR
TBC-60-00 AND
TBC-45-00

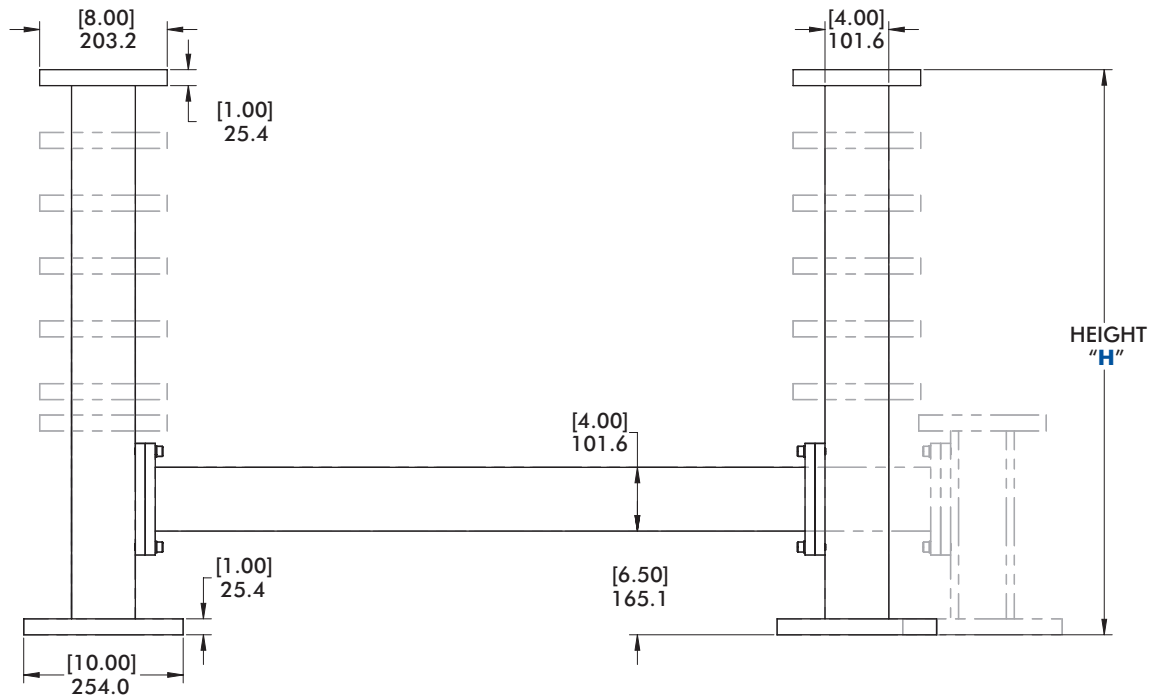
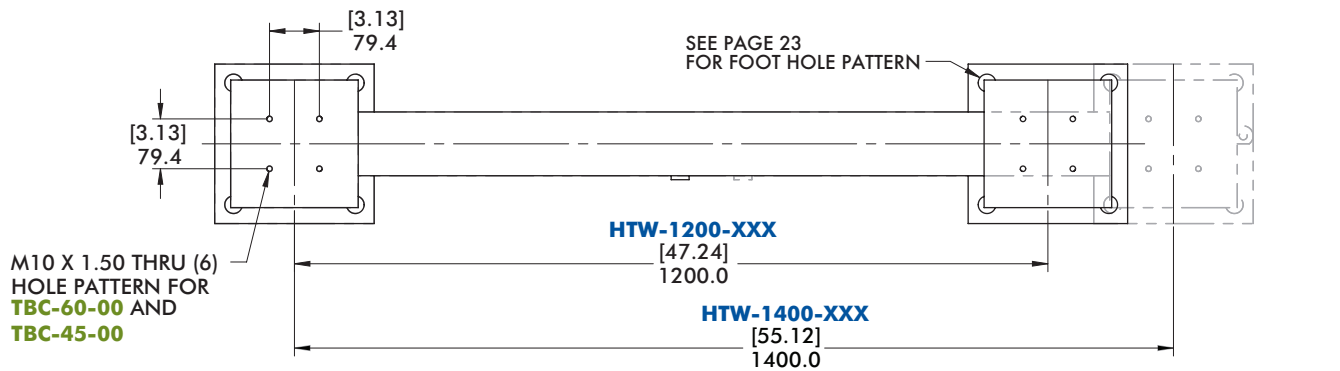


CPI-HTW-"H"-4 HOLD TABLE WELDMENT

"H"	Model Number	WEIGHT
250	CPI-HTW-250-4	24.02 kg [52.97lb]
300	CPI-HTW-300-4	24.93 kg [54.96lb]
350	CPI-HTW-350-4	25.83 kg [56.95lb]
400	CPI-HTW-400-4	26.73 kg [58.94lb]
450	CPI-HTW-450-4	27.63 kg [60.93lb]
500	CPI-HTW-500-4	28.54 kg [62.92lb]
550	CPI-HTW-550-4	29.44 kg [63.82lb]
600	CPI-HTW-600-4	30.35 kg [66.90lb]
650	CPI-HTW-650-4	31.25 kg [68.89lb]
700	CPI-HTW-700-4	32.15 kg [70.88lb]
750	CPI-HTW-750-4	33.05 kg [72.87lb]
800	CPI-HTW-800-4	33.96 kg [74.87lb]
850	CPI-HTW-850-4	34.86 kg [76.86lb]
900	CPI-HTW-900-4	35.76 kg [78.85lb]

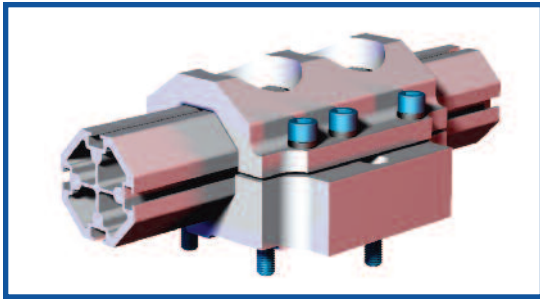
BodyBuilder™ Structure Mid Mount Assemblies

HTW-1200/1400 Pass-Thru Hold Table Weldment



CPI-"MODEL"- "H" PASS THROUGH TABLE WELDMENT				
" H "	"MODEL"	WEIGHT	"MODEL"	WEIGHT
350	HTW-1200	84.62 kg [186.55lb]	HTW-1400	88.39 kg [194.87lb]
400	HTW-1200	86.42 kg [190.53lb]	HTW-1400	90.02 kg [198.85lb]
500	HTW-1200	90.04 kg [198.50lb]	HTW-1400	93.81 kg [206.82lb]
600	HTW-1200	93.65 kg [206.46lb]	HTW-1400	97.42 kg [214.78lb]
700	HTW-1200	97.26 kg [214.42lb]	HTW-1400	101.04 kg [222.74lb]
800	HTW-1200	100.87 kg [222.39lb]	HTW-1400	104.65 kg [230.71lb]
900	HTW-1200	104.49 kg [230.35lb]	HTW-1400	108.26 kg [238.67lb]

BodyBuilder™ Structure Mid Mount Assemblies
ATI-151-90HD-60BB 60mm Mid Mount

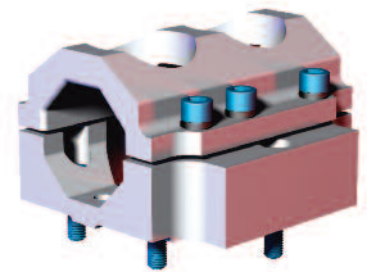
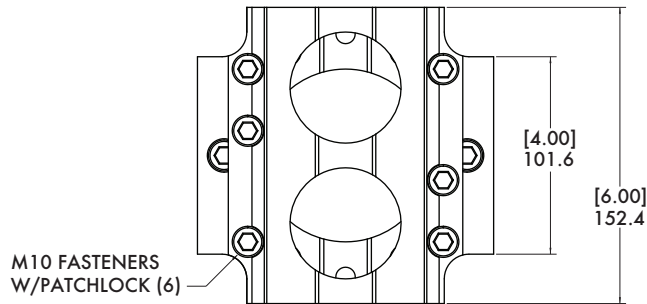


Specifications:

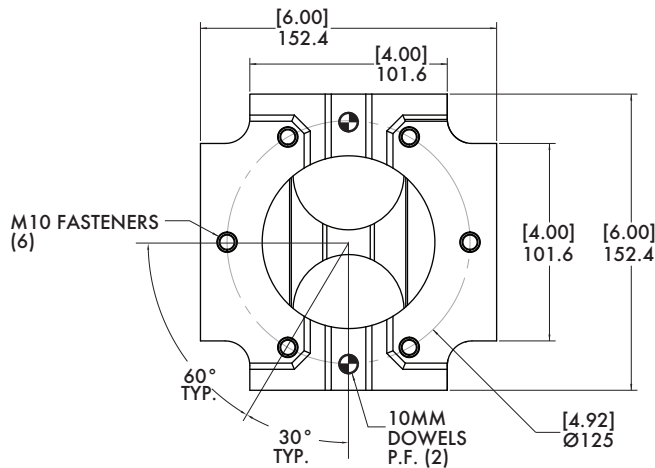
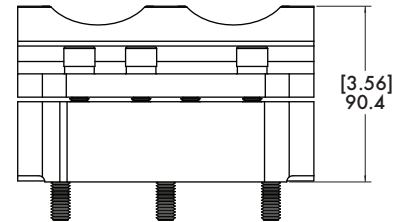
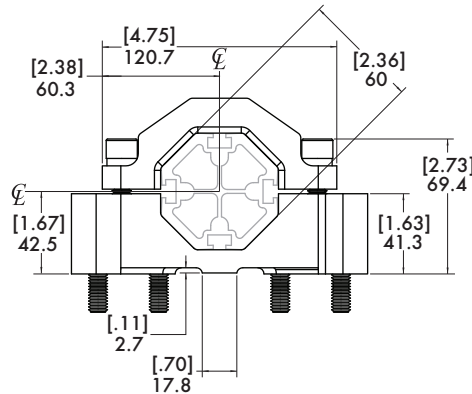
Max. Static Product Load:
 746 N*m [550 ft-lb]]
 Material: Aluminum

Features:

- Can be used as direct robot interface.



Fasteners included, Dowels not included



Model Number	Weight
CPI-ATI-151-90HD-60BB	3.22 kg [7.10 lb]

BodyBuilder™ Structure Mid Mount Assemblies

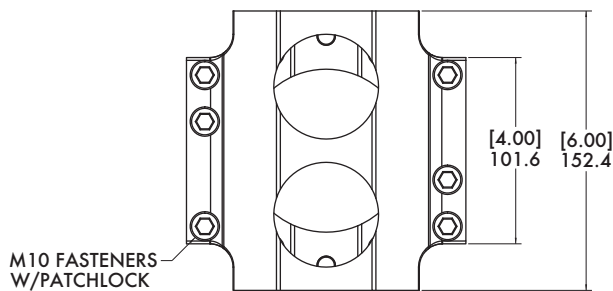
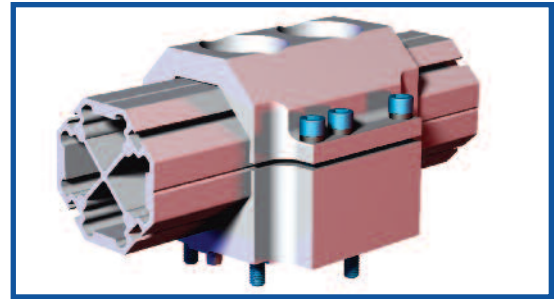
ATI-151-90HD-90BB 90mm Mid Mount

Features:

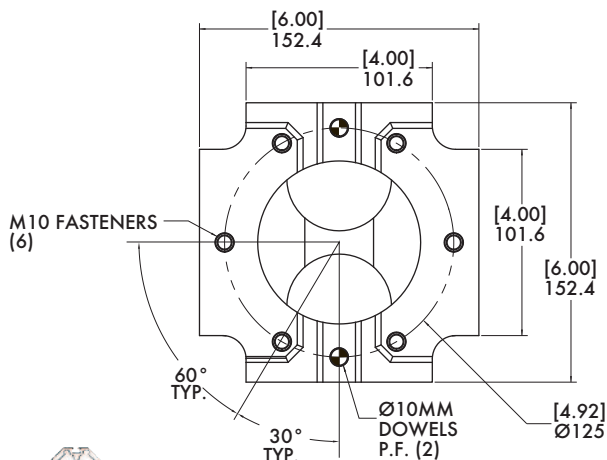
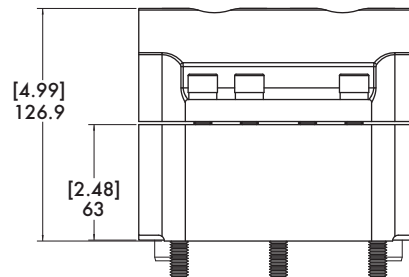
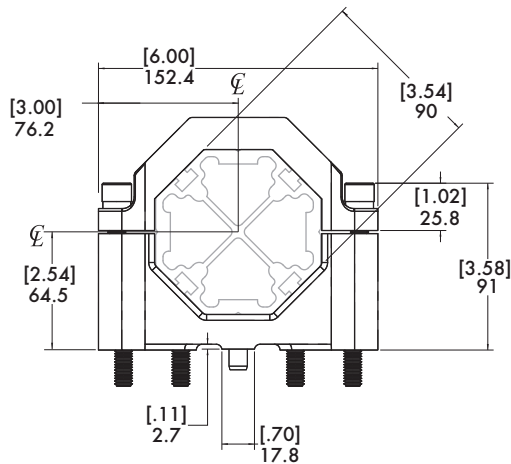
- Can be used as direct robot interface.

Specifications:

Max. Static Product Load:
1355 N*m [1000 ft-lb]
Material: Aluminum

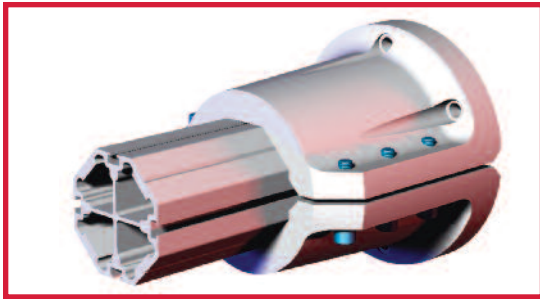


Fasteners and Dowels Included



Model Number	Weight
CPI-ATI-151-90HD-90BB	2.89 kg [6.38 lb]

BodyBuilder™ Structure End Mount Assemblies CL-90B-160F 90mm End Mount



Specifications:

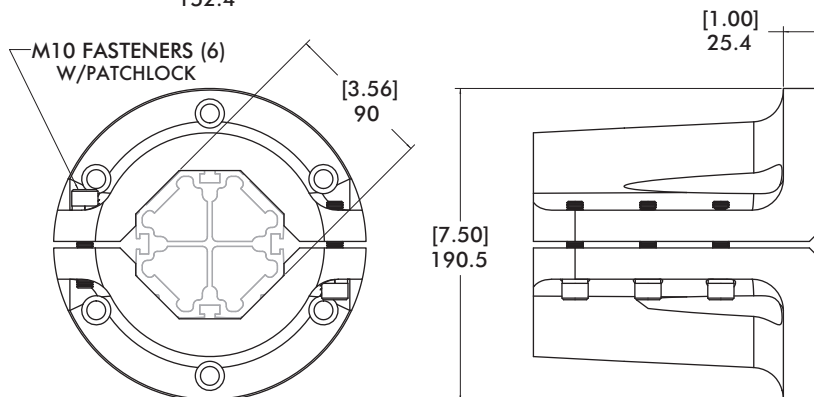
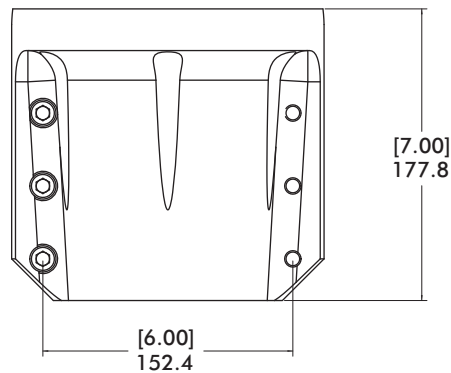
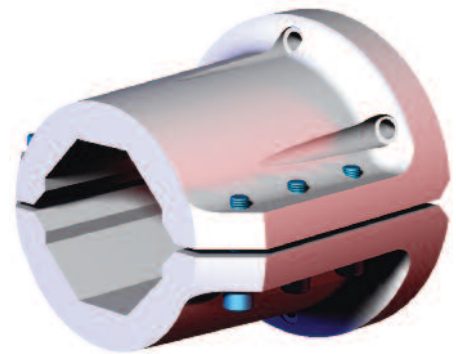
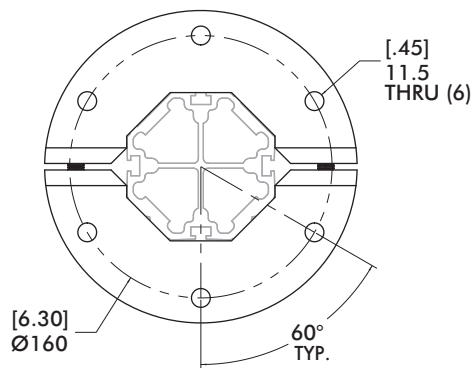
Max. Static Clamp Load:

746 N*m [550 ft-lb]

Material: Aluminum

Features:

- Can be used as direct robot interface.



Model Number	Weight
CPI-CL-90B-160F	5.91 kg [13.04 lb]



BodyBuilder™ Structure End Mount Assemblies

RDCF-60B 60mm BodyBuilder™ Bayonet

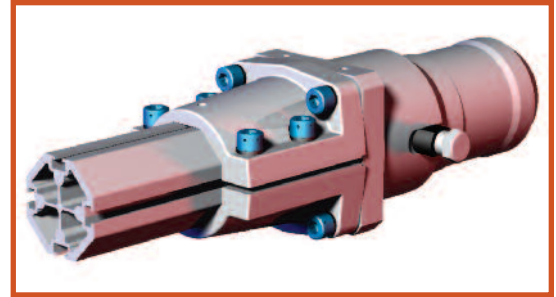
Features:

- Used in conjunction with Quick Disconnect Housing to provide an efficient method for changing tools manually.
- Two, hardened alignment pins allow quick and accurate installation into the housing.
- Optional 4-port air and electric available.

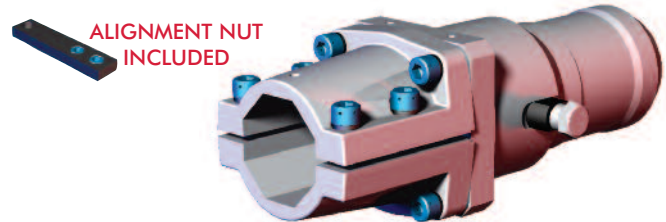
Specifications:

Max. Static Product Load:
746 N*m [550 ft-lb]

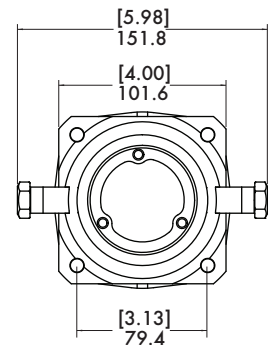
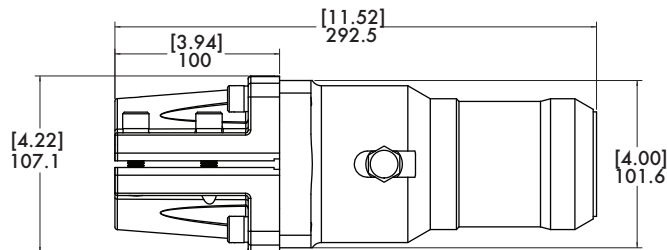
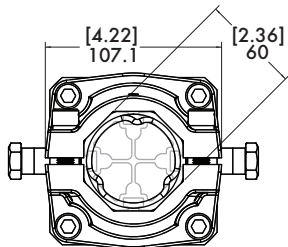
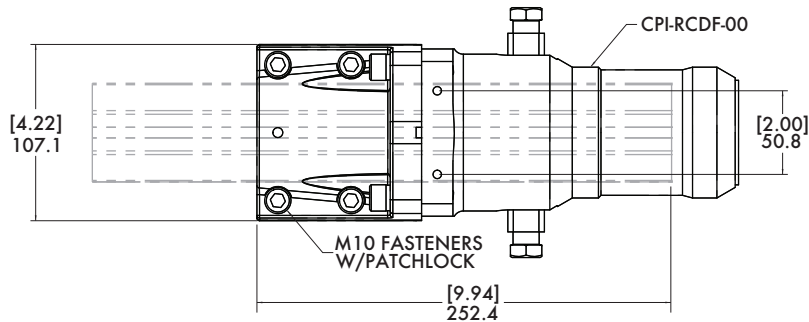
Material:
Body: Aluminum
Pins: Steel



Used in conjunction with Quick Disconnect Housing to provide an efficient method for changing tools manually.

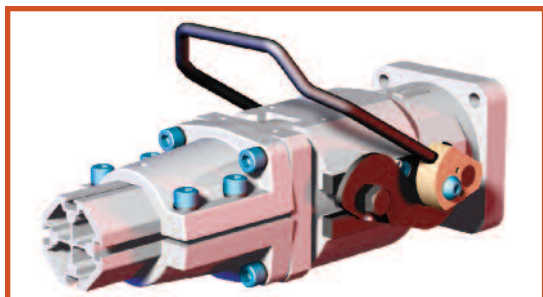


Optional 4-port air and electric connections available.



Model Number	Weight
CPI-RDCF-60B-00-00-X	3.16 kg [6.96 lb]

BodyBuilder™ Structure End Mount Assemblies RDN-25-6 Manual Quick Disconnect Housing



Specifications:

Max. Static Product Load:
746 N*m [550 ft-lb]

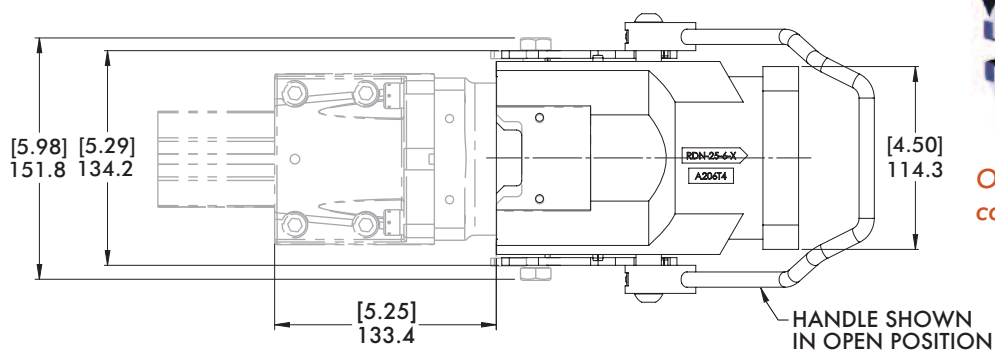
Material:

Body: Aluminum
Knuckles: Brass
Handle and Hooks: Steel
Inserts: Urethane

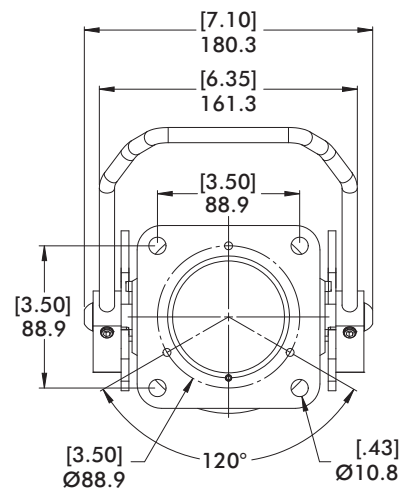
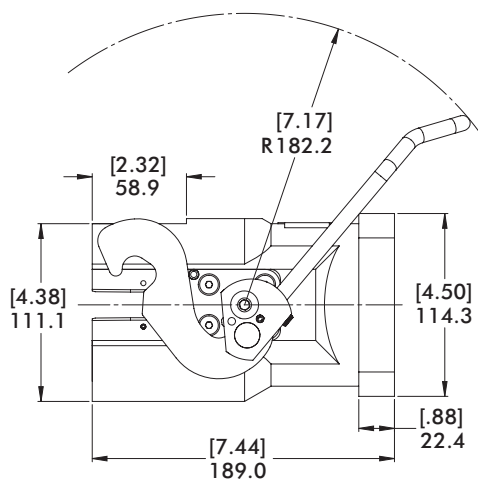
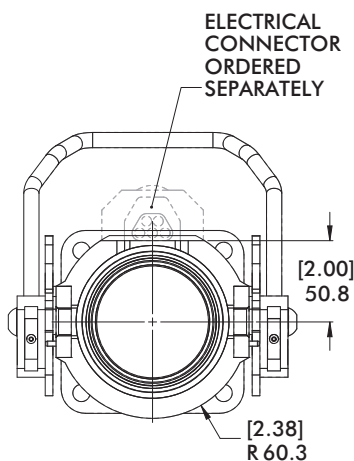
Features:

- Actuation of handle allows quick and accurate installation by pulling the bayonet into a fixed position within the housing.
- The internal rings eliminate vibration and seat the bayonet into a clamped position.
- Hardened steel retainer slots reduce wear and extend product life.

Used in conjunction with 60 mm BodyBuilder™ Bayonet to provide an efficient method for changing tools manually.



Optional 4-port air and electric connections available.



Model Number	Weight
CPI-RDN-25-6	4.00 kg [8.90 lb]



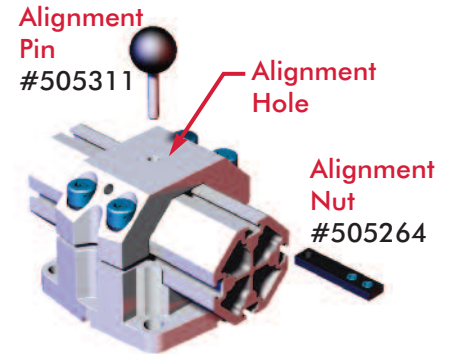
BodyBuilder™ Alignment System

Explaining the Patented Alignment System

BodyBuilder™ Robotic Tooling System offers a patented alignment system, ensuring that all BodyBuilder™ components can be adjusted to the original set-up position.

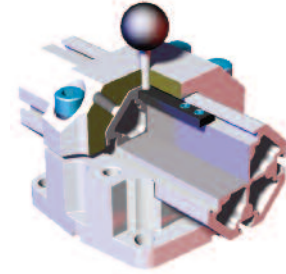
Once the BodyBuilder™ structure bracket mount is secured into place during set-up, insert the alignment nut into the octagonal boom channel groove.

Be sure the alignment nut is inserted so that when it is slid under the bracket mount, the set screws can still be accessed outside the bracket mount as shown.

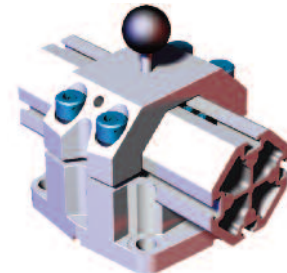


Slide the alignment nut along the boom groove and underneath the bracket mount until the hole in the block and the appropriate calibration hole in the bracket mount is aligned visual.

Insert the alignment pin into the alignment hole of the bracket mount, through the alignment nut until it stops in the groove of the boom channel.



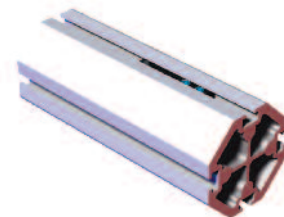
With the alignment pin in place, the alignment nut should not move. Secure bracket mount in the channel groove by tightening the two set screws. Remove alignment pin as it is used as a probe for alignment purposes only.



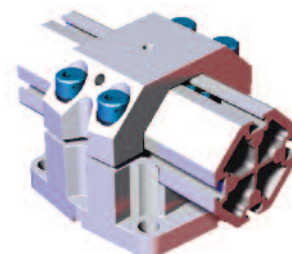
The alignment nut remains in place even when the bracket mount is removed.

To order replacement alignment pin or nut, please use the following order numbers:

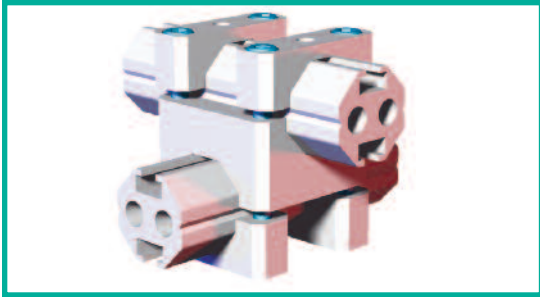
Alignment Pin #505311, Alignment Nut #505264



To Replace the Bracket mount, place the assembled bracket mount on the Bodybuilder™ boom until the alignment holes are visually aligned. Insert the alignment pin to secure bracket mount in place, and tighten the fasteners.



BodyBuilder™ Transition Brackets and Blocks
CLM-30B-30B 30mm to 30mm (Micro) Transition Bracket Assembly



Specifications:

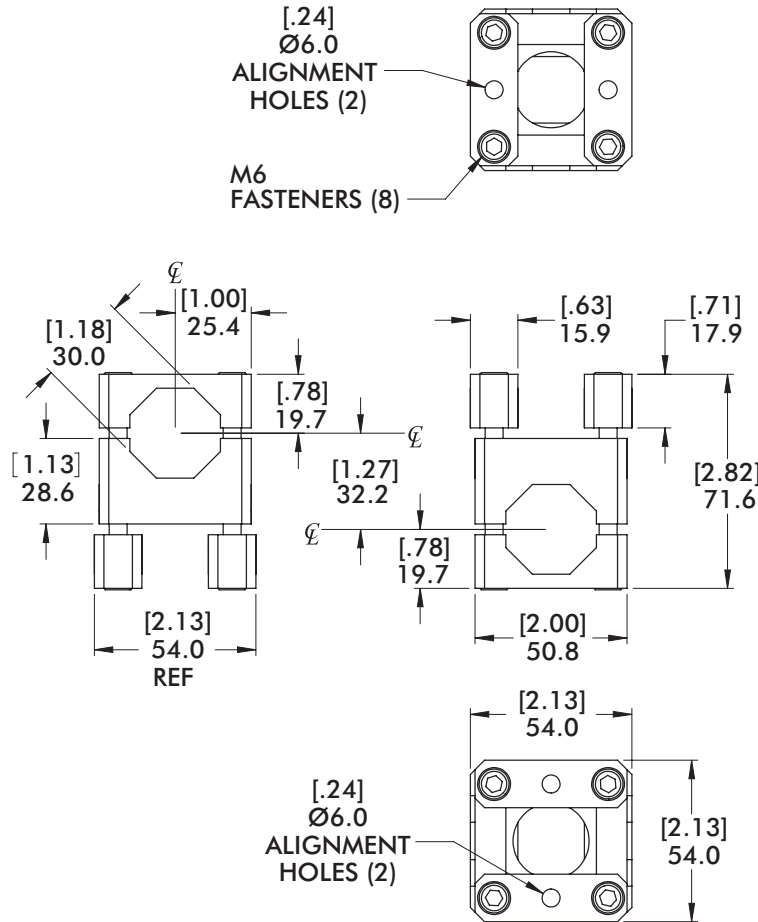
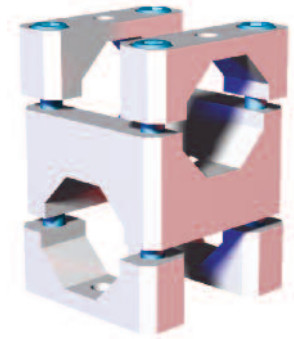
Max. Static Clamp Load:

102 N*m [75 ft-lb]

Material: Aluminum

Features:

- Connects (2) 30mm extrusions perpendicular to each other.
- Lightweight, high-strength aluminum design.



Model Number	Weight
CPI-CLM-30B-30B	.24 kg [.54 lb]

BodyBuilder™ Transition Brackets and Blocks

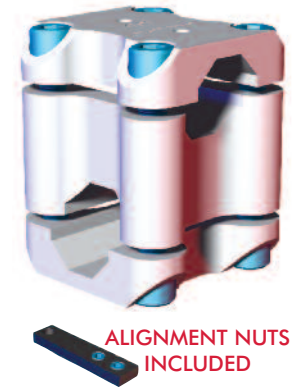
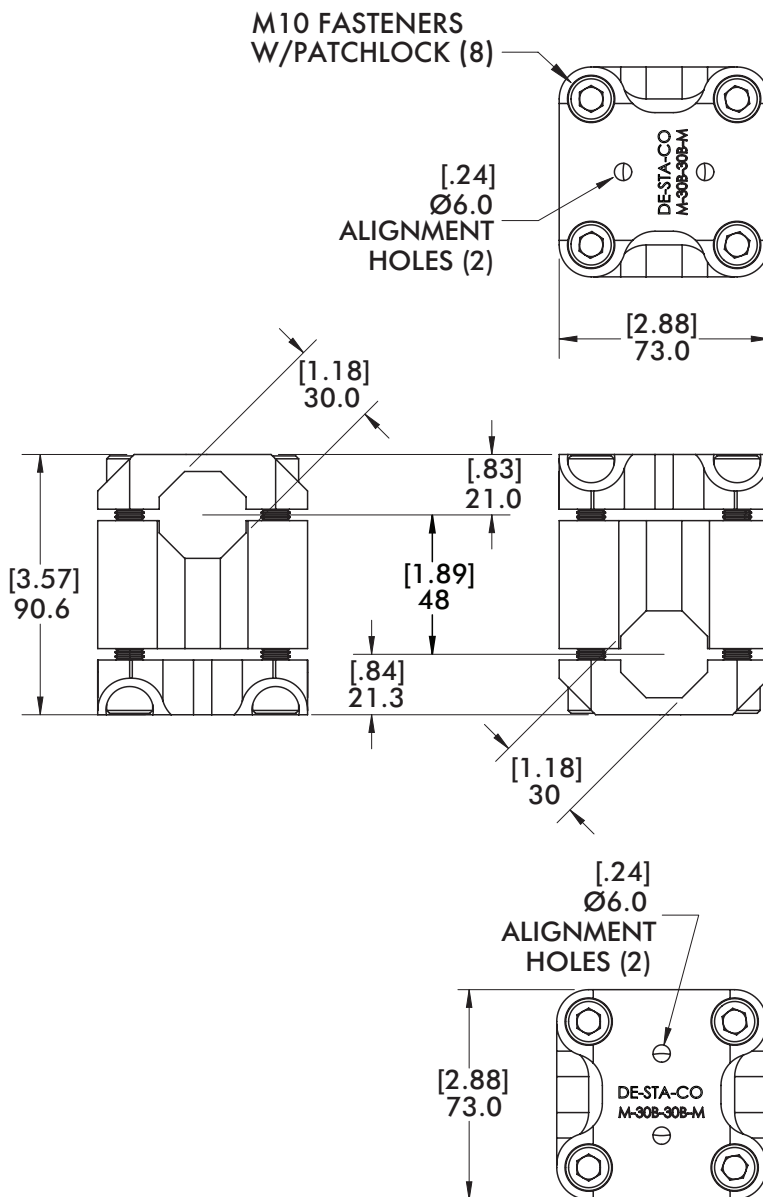
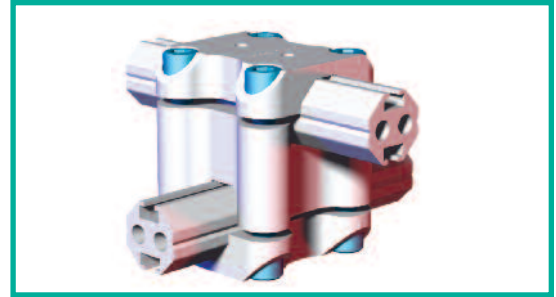
30B-30B 30mm to 30mm Transition Bracket Assembly

Features:

- Connects (2) 30mm extrusions perpendicular to each other.
- Lightweight, high-strength aluminum design.

Specifications:

Max. Static Clamp Load:
30mm: 271 N*m [200 ft-lb]
Material: Aluminum



Model Number	Weight
M-30B-30B-M	.82 kg [1.80 lb]

BodyBuilder™ Transition Brackets and Blocks

30B-45B 30mm to 45mm Transition Bracket Assembly



Specifications:

Max. Static Clamp Load:

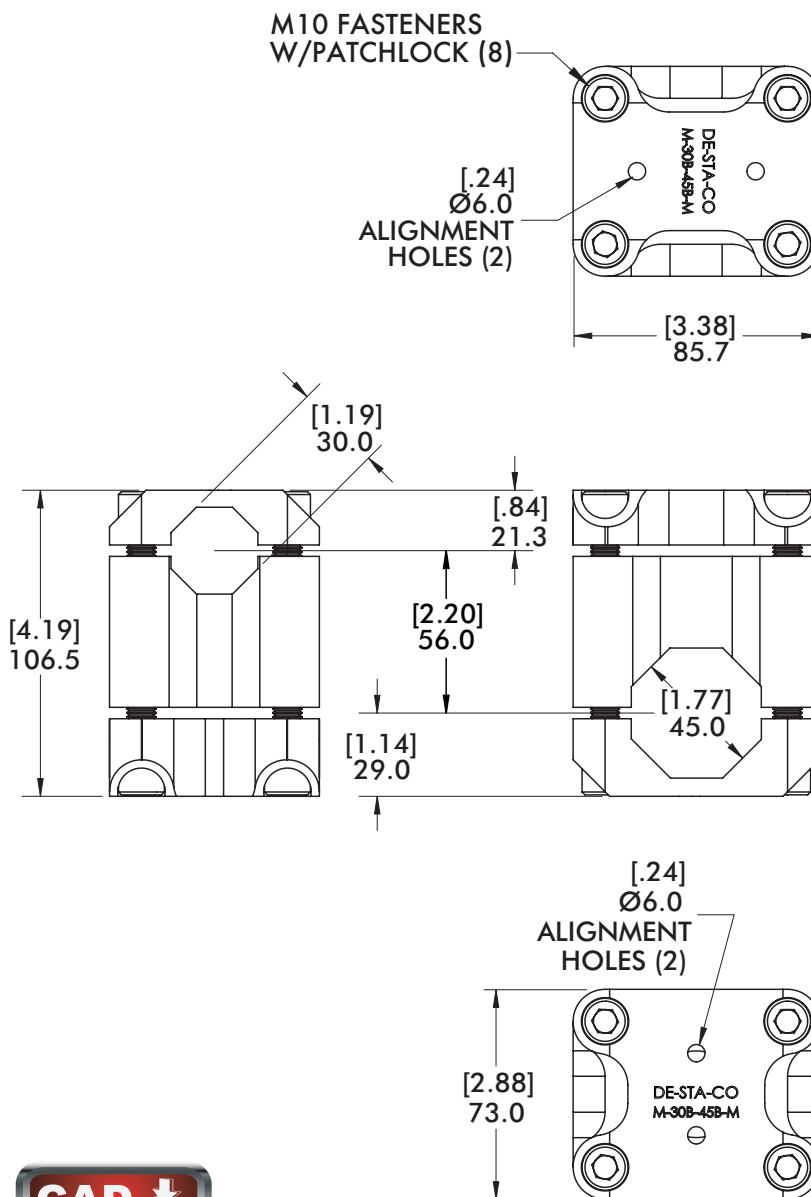
45mm: 475 N*m [350 ft-lb]

30mm: 271 N*m [200 ft-lb]

Material: Aluminum

Features:

- Connects 30mm and 45mm extrusions perpendicular to each other.
- Lightweight, high-strength aluminum design.



Model Number	Weight
M-30B-45B-M	1.00 kg [2.20 lb]



BodyBuilder™ Transition Brackets and Blocks

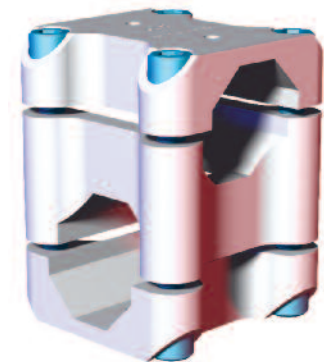
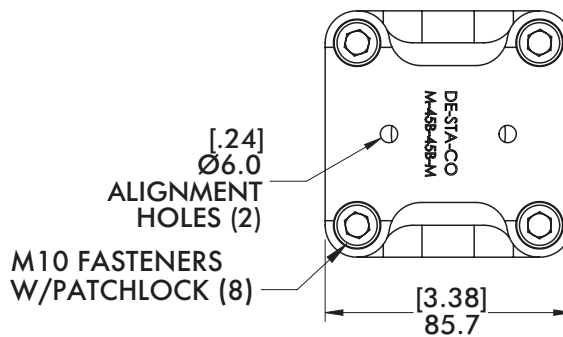
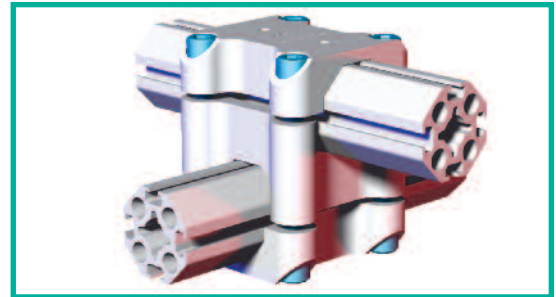
45B-45B 45mm to 45mm Transition Bracket Assembly

Features:

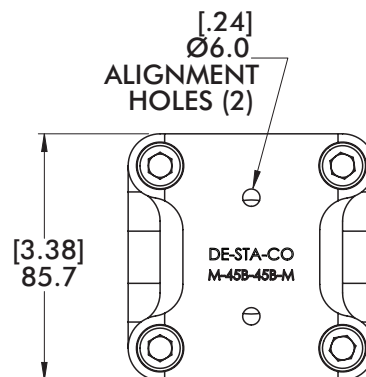
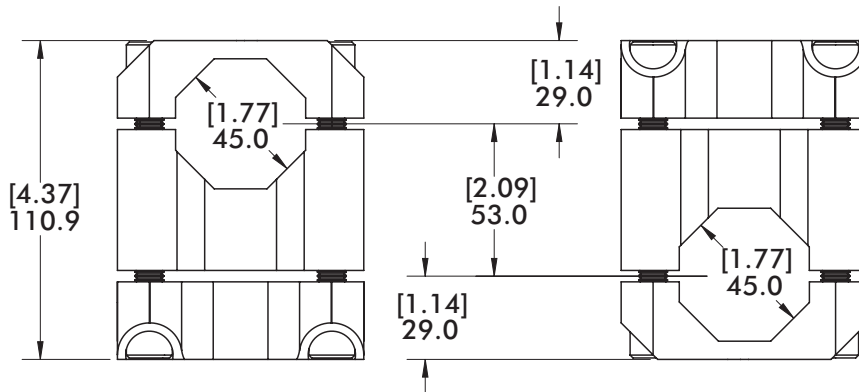
- Connects (2) 45mm extrusions perpendicular to each other.
- Lightweight, high-strength aluminum design

Specifications:

Max. Static Clamp Load:
45mm: 475 N*m [350 ft-lb]
Material: Aluminum

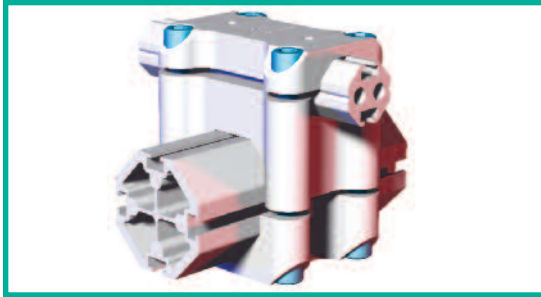


ALIGNMENT NUTS INCLUDED



Model Number	Weight
M-45B-45B-M	1.05 kg [2.31 lb]

BodyBuilder™ Transition Brackets and Blocks
30B-60B 30mm to 60mm Transition Bracket Assembly

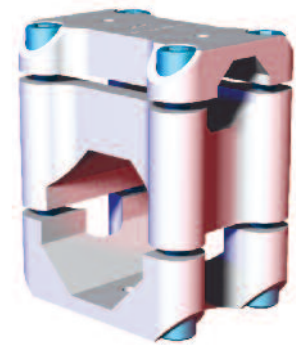
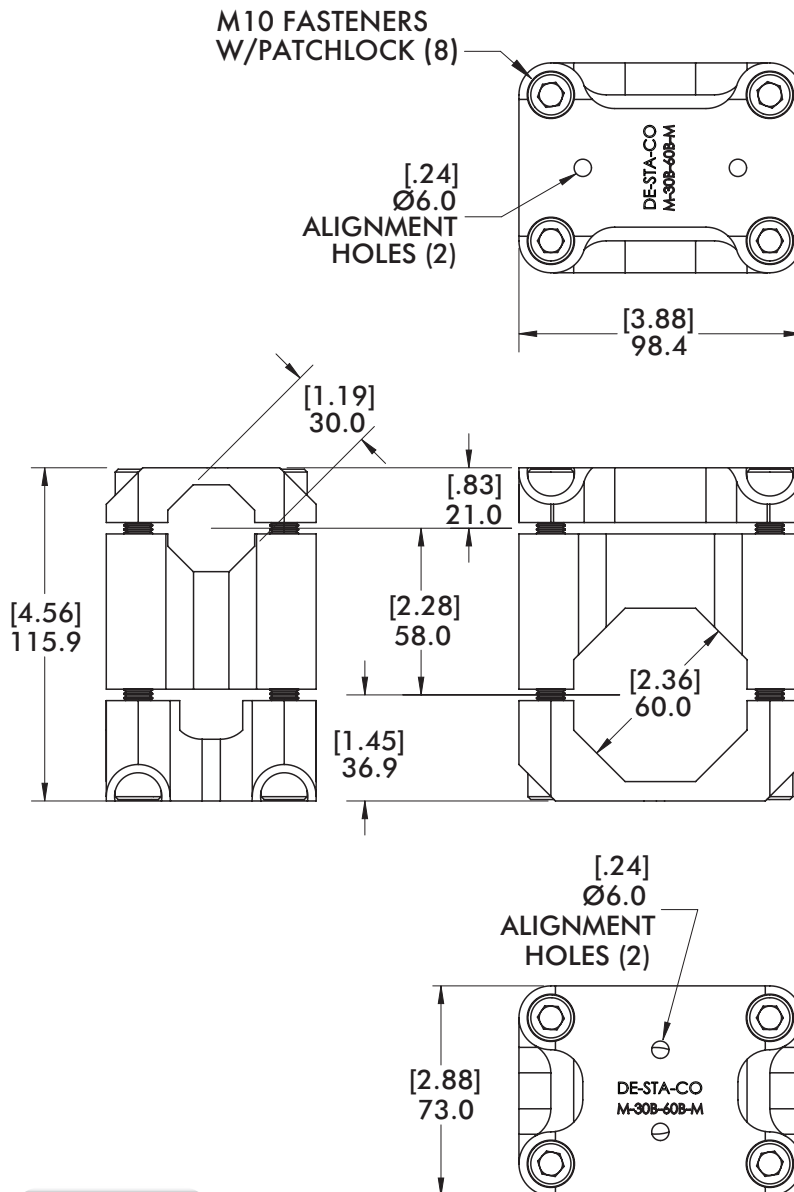


Specifications:

Max. Static Clamp Load:
 60mm: 746 N*m [550 ft-lb]
 30mm: 271 N*m [200 ft-lb]
Material: Aluminum

Features:

- Connects 30mm and 60mm extrusions perpendicular to each other.
- Lightweight, high-strength aluminum design.



ALIGNMENT NUTS INCLUDED



Model Number	Weight
M-30B-60B-M	1.13 kg [2.50 lb]



BodyBuilder™ Transition Brackets and Blocks

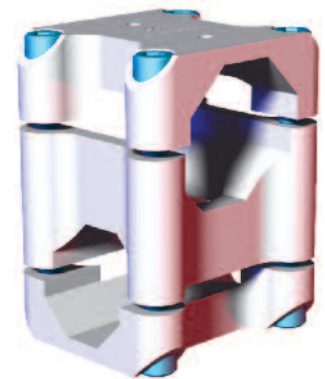
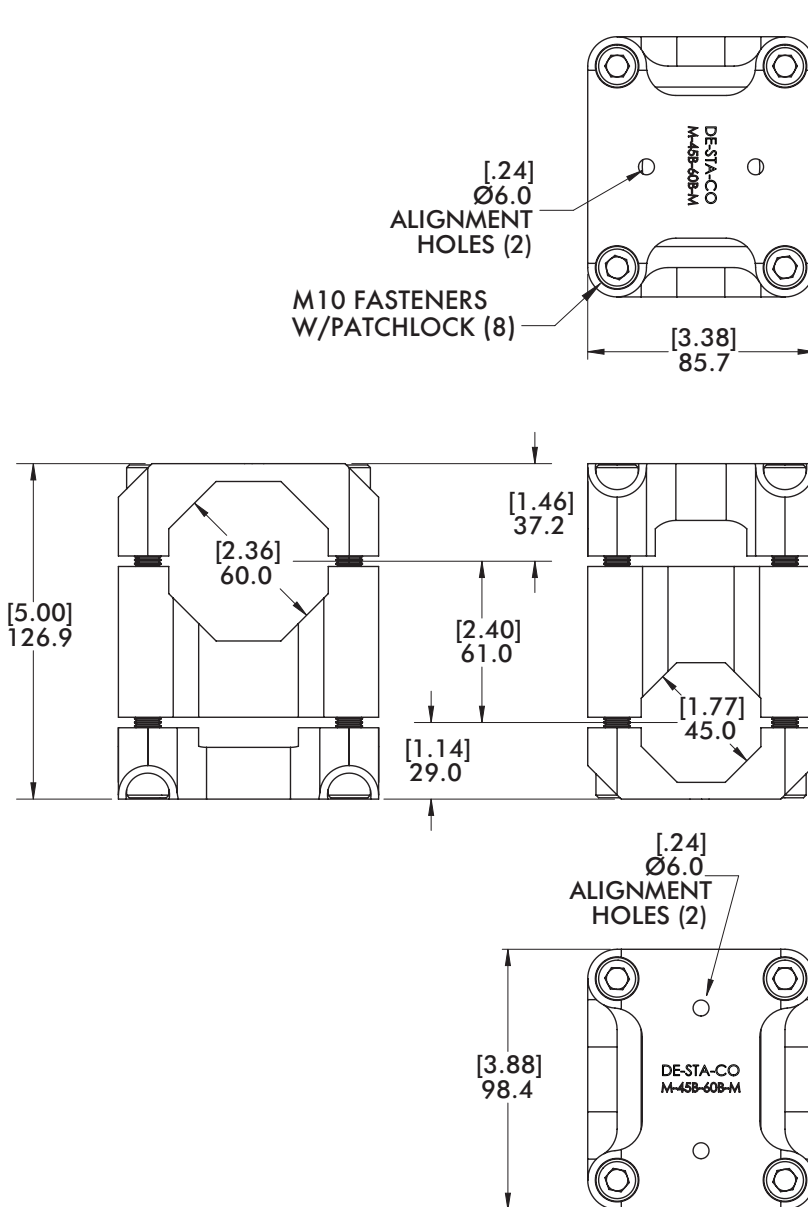
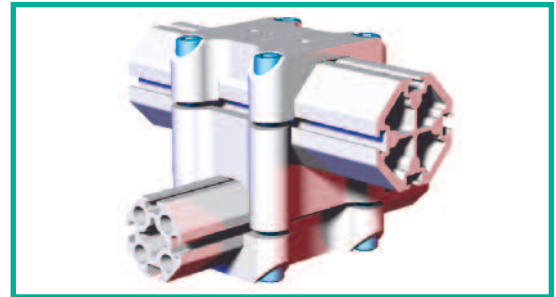
45B-60B 45mm to 60mm Transition Bracket Assembly

Features:

- Connects 45mm and 60mm extrusions perpendicular to each other.
- Lightweight, high-strength aluminum design.

Specifications:

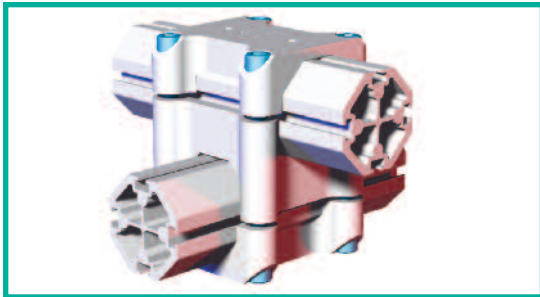
Max. Static Clamp Load:
 60mm: 746 N*m [550 ft-lb]
 45mm: 475 N*m [350 ft-lb]
Material: Aluminum



Model Number	Weight
M-45B-60B-M	1.23 kg [2.70 lb]

BodyBuilder™ Transition Brackets and Blocks

60B-60B 60mm to 60mm Transition Bracket Assembly



Specifications:

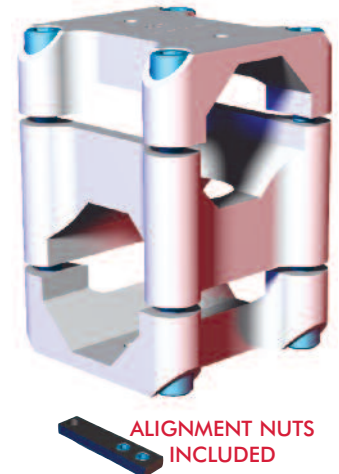
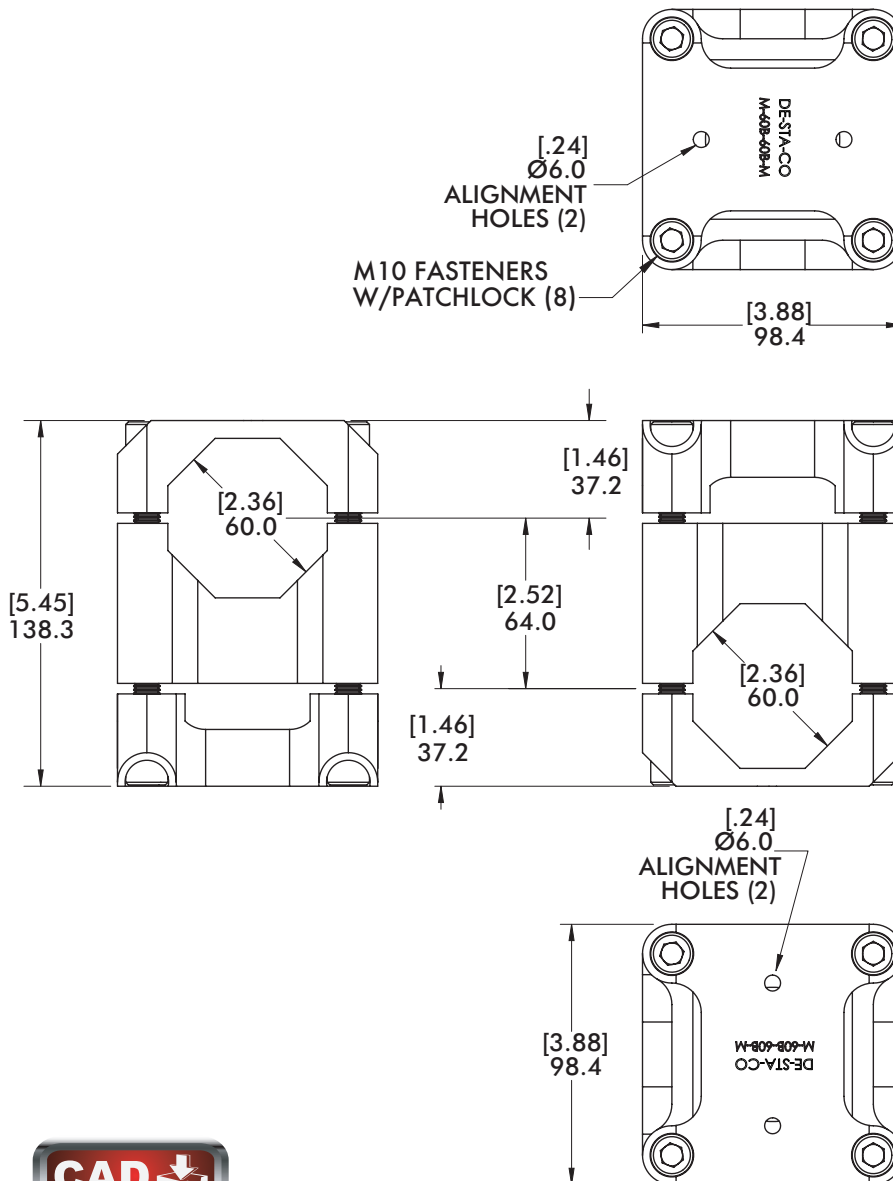
Max. Static Clamp Load:

60mm: 746 N*m [550 ft-lb]

Material: Aluminum

Features:

- Connects (2) 60mm extrusions perpendicular to each other.
- Lightweight, high-strength aluminum design



Model Number	Weight
M-60B-60B-M	1.36 kg [3.00 lb]



BodyBuilder™ Transition Brackets and Blocks

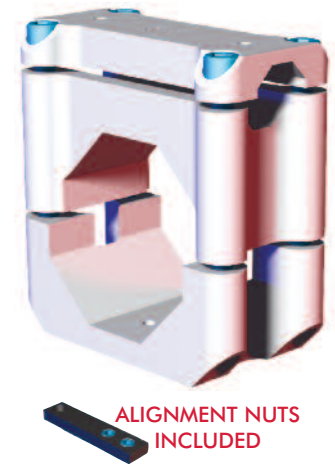
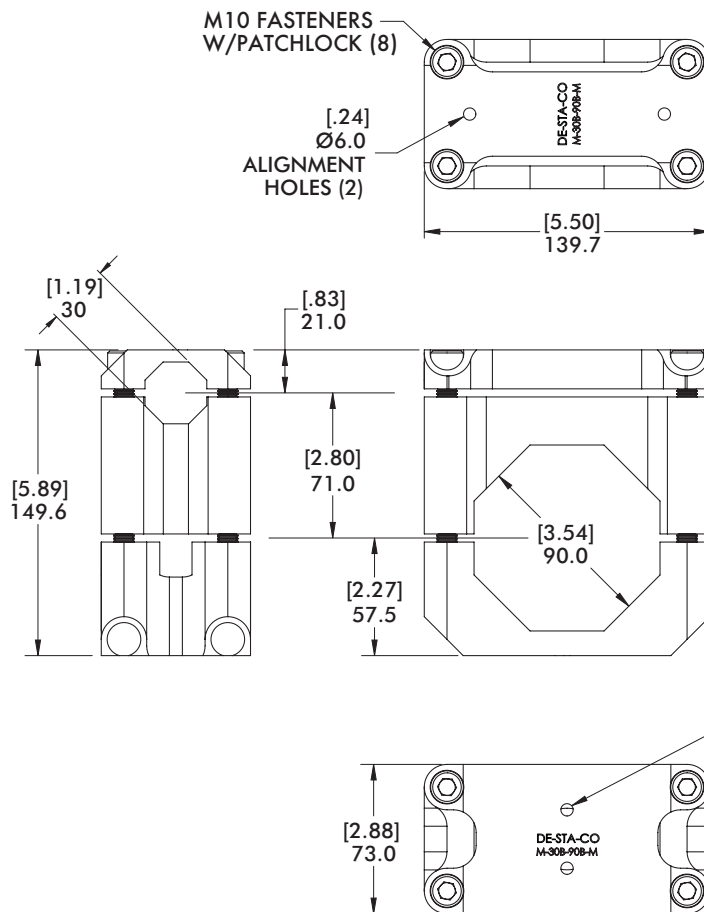
30B-90B 30mm to 90mm Transition Bracket Assembly

Features:

- Connects 30 and 90mm extrusions perpendicular to each other.
- Lightweight, high-strength aluminum design.

Specifications:

Max. Static Clamp Load:
 30mm: 271 N*m [200 ft-lb]
 90mm: 746 N*m [550 ft-lb]
Material: Aluminum



Model Number	Weight
M-30B-90B-M	1.78 kg [3.93 lb]

BodyBuilder™ Transition Brackets and Blocks

45B-90B 45mm to 90mm Transition Bracket Assembly



Specifications:

Max. Static Clamp Load:

45mm: 475 N*m [350 ft-lb]

90mm: 746 N*m [550 ft-lb]

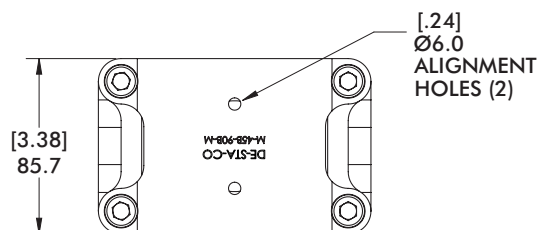
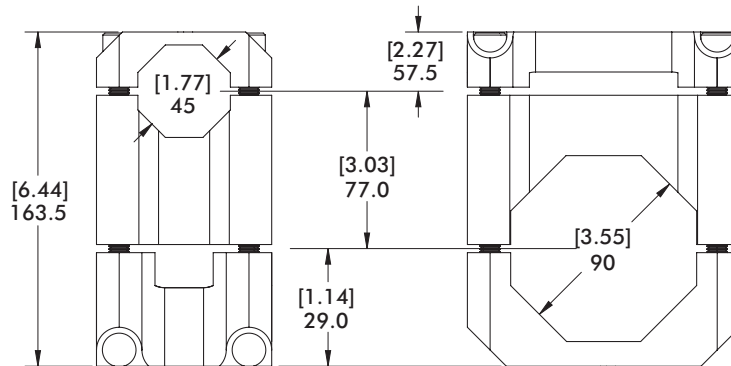
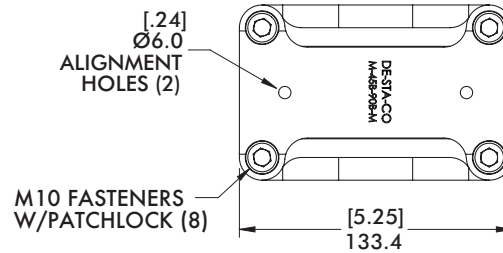
Material: Aluminum

Features:

- Connects 45 and 90mm extrusions perpendicular to each other.
- Lightweight, high-strength aluminum design.



ALIGNMENT NUTS INCLUDED



Model Number	Weight
M-45B-90B-M	1.91 kg [4.21 lb]





A DOWER COMPANY

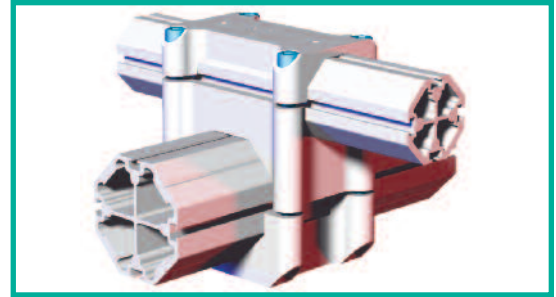
BodyBuilder™ Transition Brackets and Blocks
60B-90B 60mm to 90mm Transition Bracket Assembly

Features:

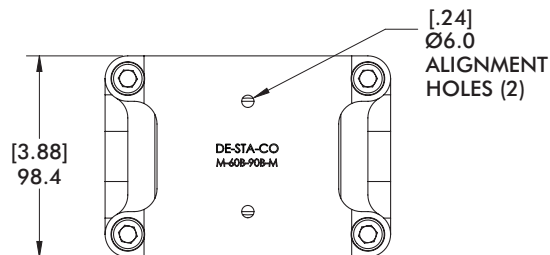
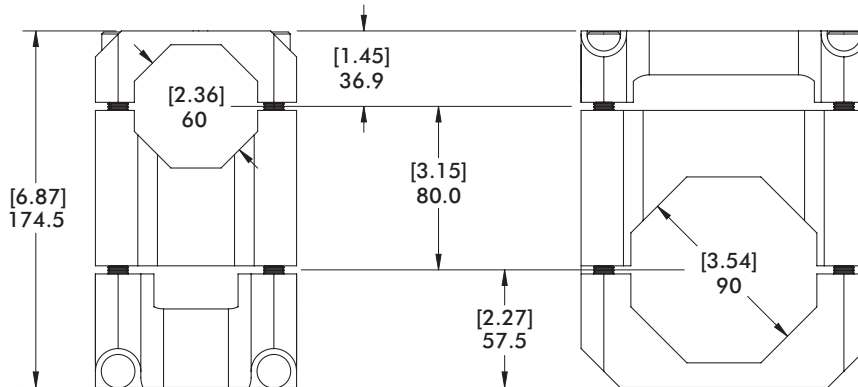
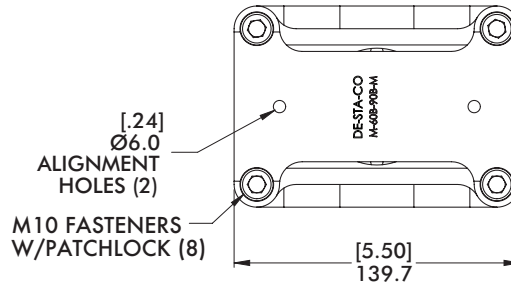
- Connects 60mm and 90mm extrusions perpendicular to each other.
- Lightweight, high-strength aluminum design.

Specifications:

Maximum Clamp Load:
 60mm and 90mm:
 746 N*m [550 ft-lb]
Material: Aluminum



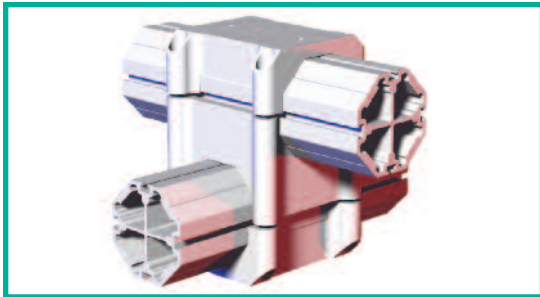
ALIGNMENT NUTS INCLUDED



Model Number	Weight
M-60B-90B-M	2.25 kg [4.97 lb]

BodyBuilder™ Transition Brackets and Blocks

90B-90B 90mm to 90mm Transition Bracket Assembly



Specifications:

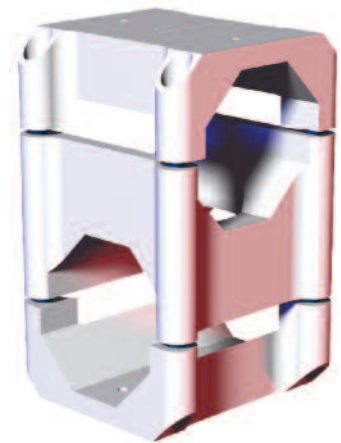
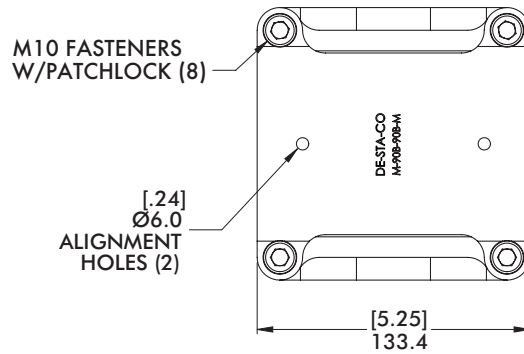
Max. Static Clamp Load:

746 N*m [550 ft-lb]

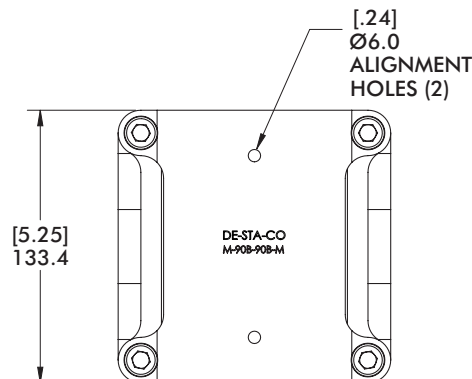
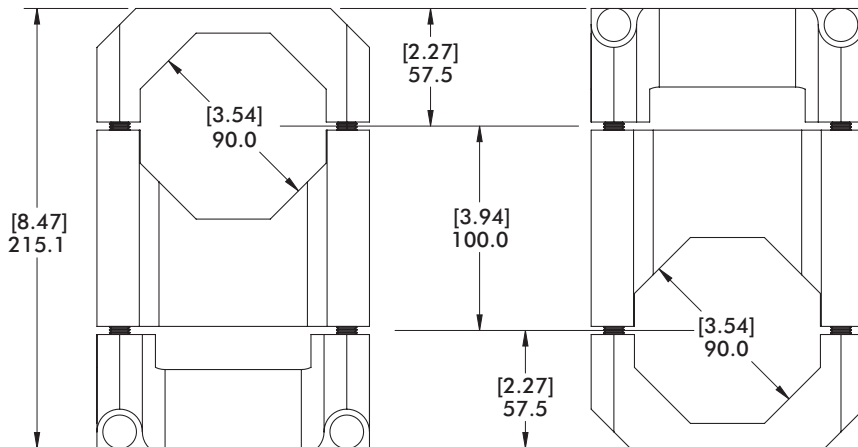
Material: Aluminum

Features:

- Connects (2) 90mm extrusions perpendicular to each other.
- Lightweight, high-strength aluminum design.



ALIGNMENT NUTS INCLUDED



Model Number	Weight
M-90B-90B-M	3.33 kg [7.34 lb]

BodyBuilder™ Transition Brackets and Blocks

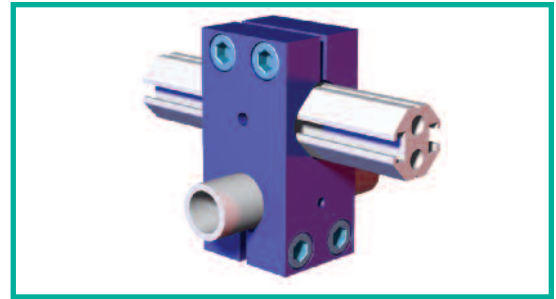
Octagon to Round Transition Block Assembly

Features:

- Connects BodyBuilder™ extrusion and round tubing perpendicular to each other.
- Lightweight, high-strength aluminum design.

Specifications:

Material: Aluminum



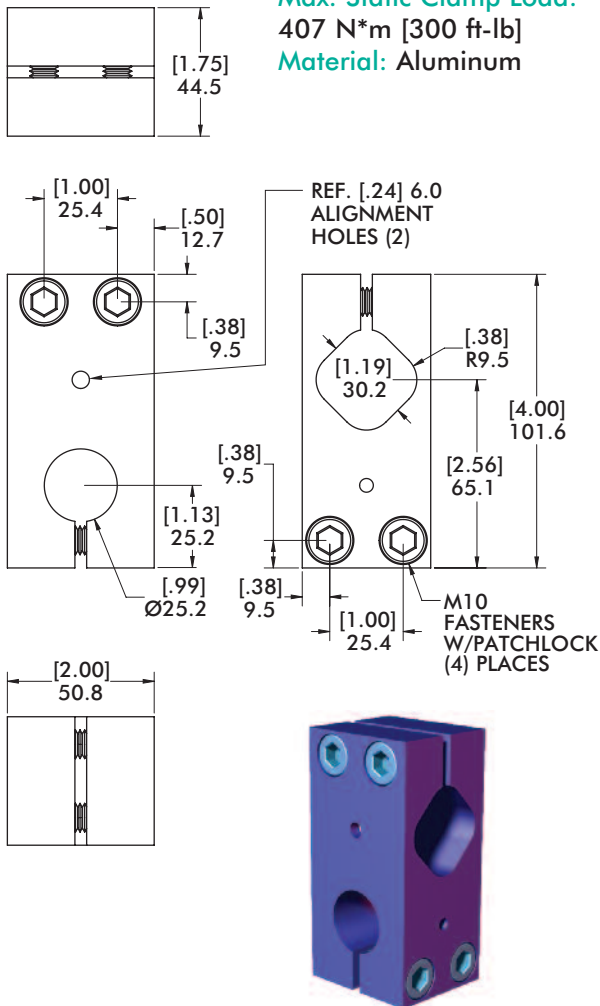
30B-25M 30mm Octagon to 25mm Round

Specifications:

Max. Static Clamp Load:

407 N*m [300 ft-lb]

Material: Aluminum



Model Number	Weight
M-30B-25M-M	.50 kg [1.10 lb]

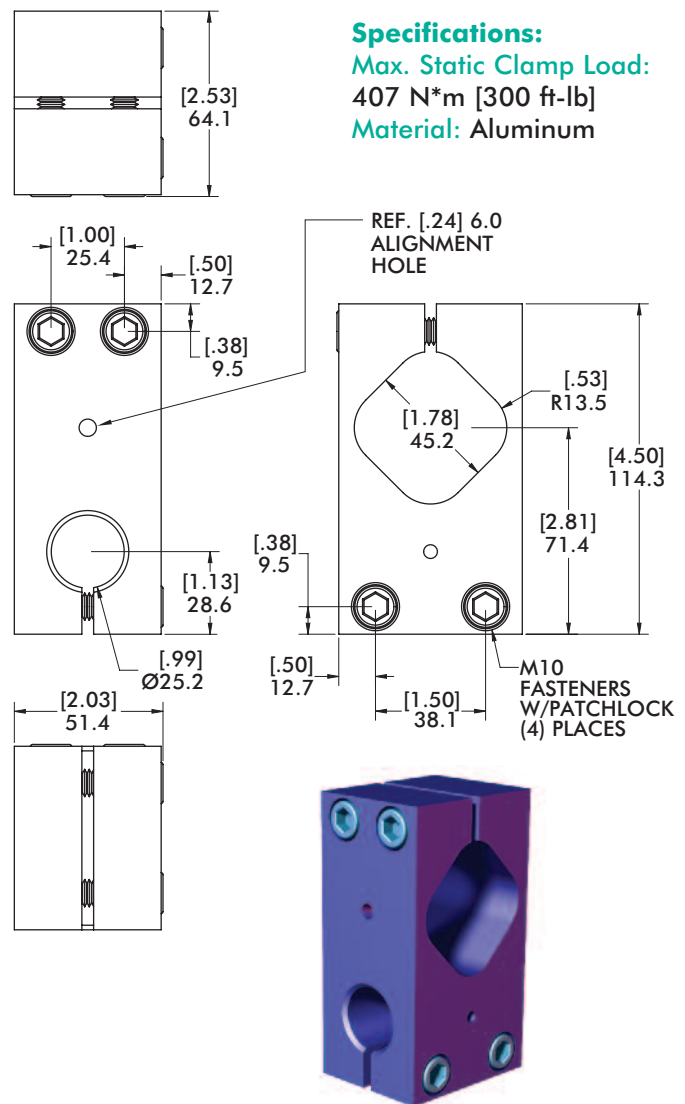
45B-25M 45mm Octagon to 25mm Round

Specifications:

Max. Static Clamp Load:

407 N*m [300 ft-lb]

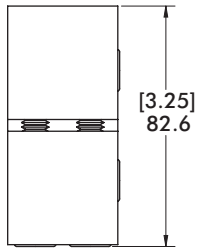
Material: Aluminum



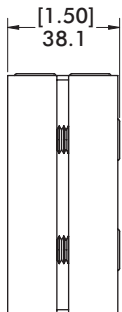
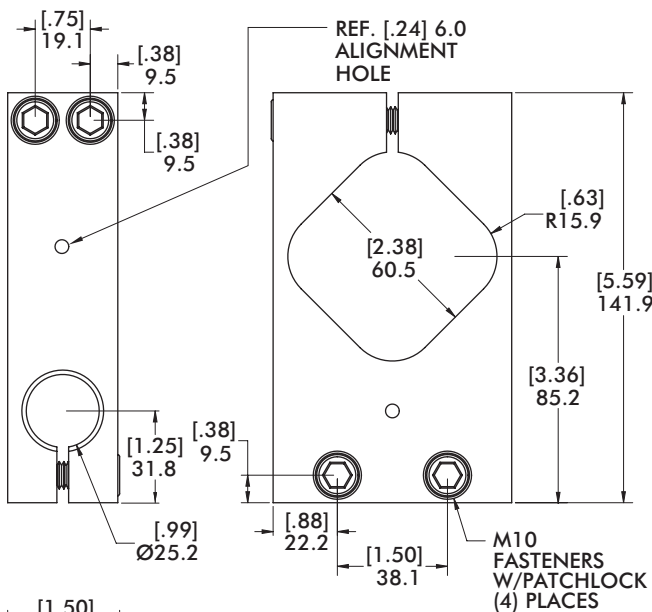
Model Number	Weight
M-45B-25M-M	.70 kg [1.54 lb]

BodyBuilder™ Transition Brackets and Blocks
Octagon to Round Transition Block Assembly

60B-25M 60mm Octagon to 25mm Round

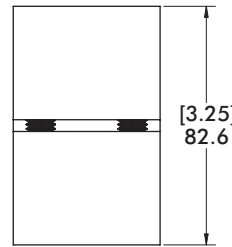


Specifications:
Max. Static Clamp Load:
407 N*m [300 ft-lb]
Material: Aluminum

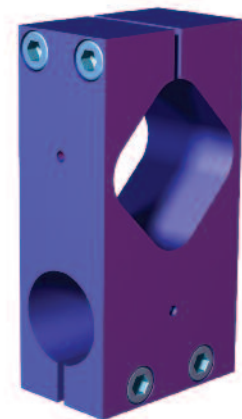
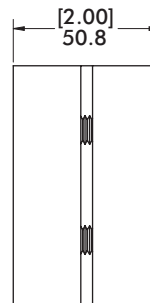
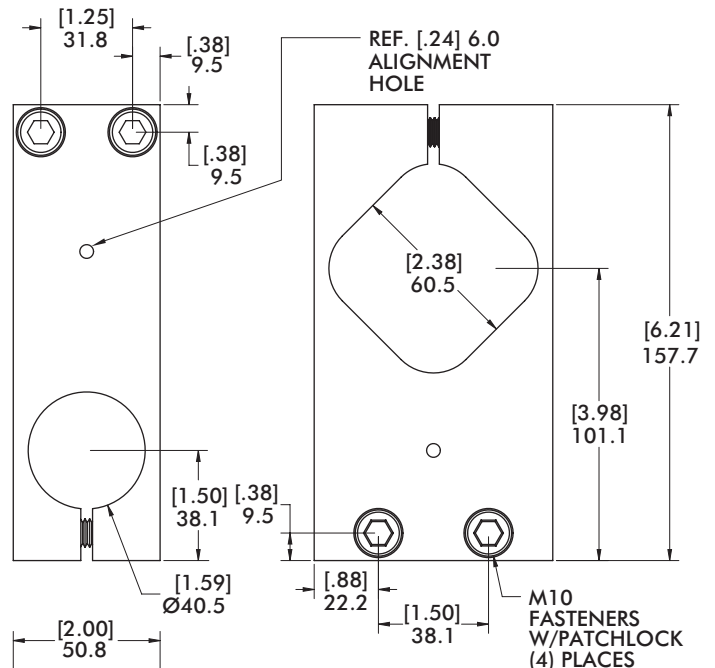


Model Number	Weight
M-60B-25M-M	.78 kg [1.72 lb]

60B-40M 60mm Octagon to 40mm Round



Specifications:
Max. Static Clamp Load:
813 N*m [600 ft-lb]
Material: Aluminum



Model Number	Weight
M-60B-40M-M	1.10 kg [2.43 lb]

BodyBuilder™ Transition Brackets and Blocks

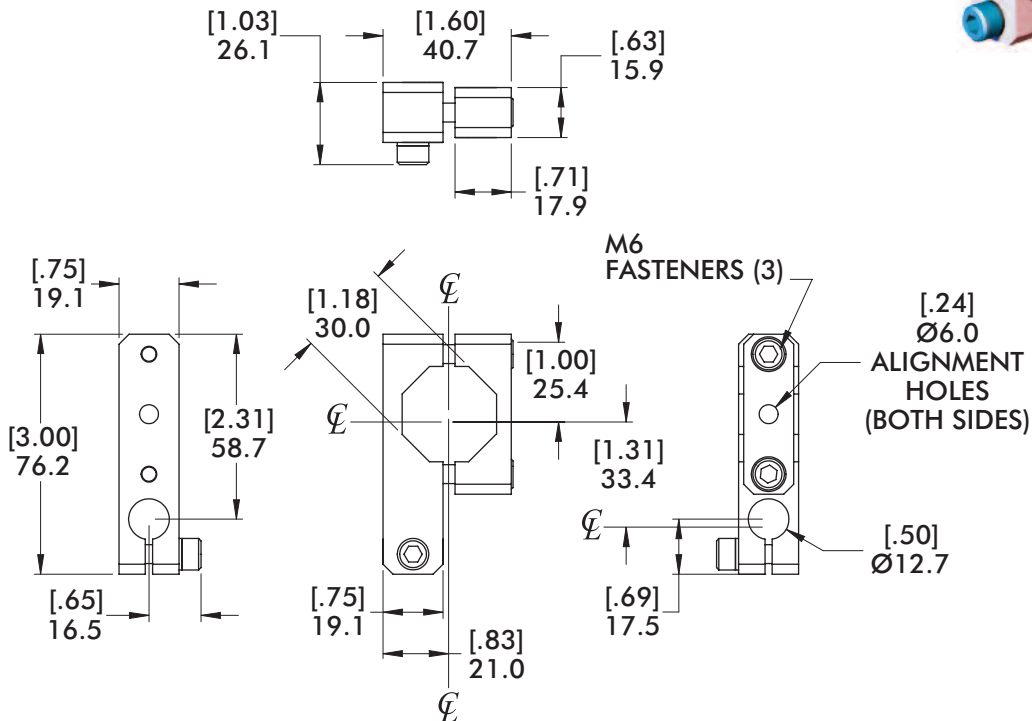
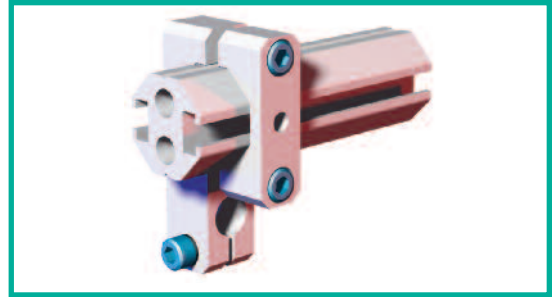
CLM-30B-50 30mm Octagon to Ø50"(in) Round Transition Bracket Assembly

Features:

- Connects BodyBuilder™ extrusion and round tubing perpendicular to each other.
- Lightweight, high-strength aluminum design.

Specifications:

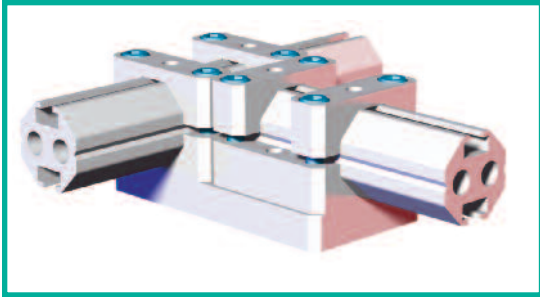
Max. Static Clamp Load:
102 N*m [75 ft-lb]
Material: Aluminum



Model Number	Weight
CPI-CLM-30B-50-TR	.092 kg [.20 lb]

BodyBuilder™ Low Profile Transition Brackets

TCAM-30B-30B 30mm to 30mm Octagon (Micro) T-Clamp Bracket Assembly

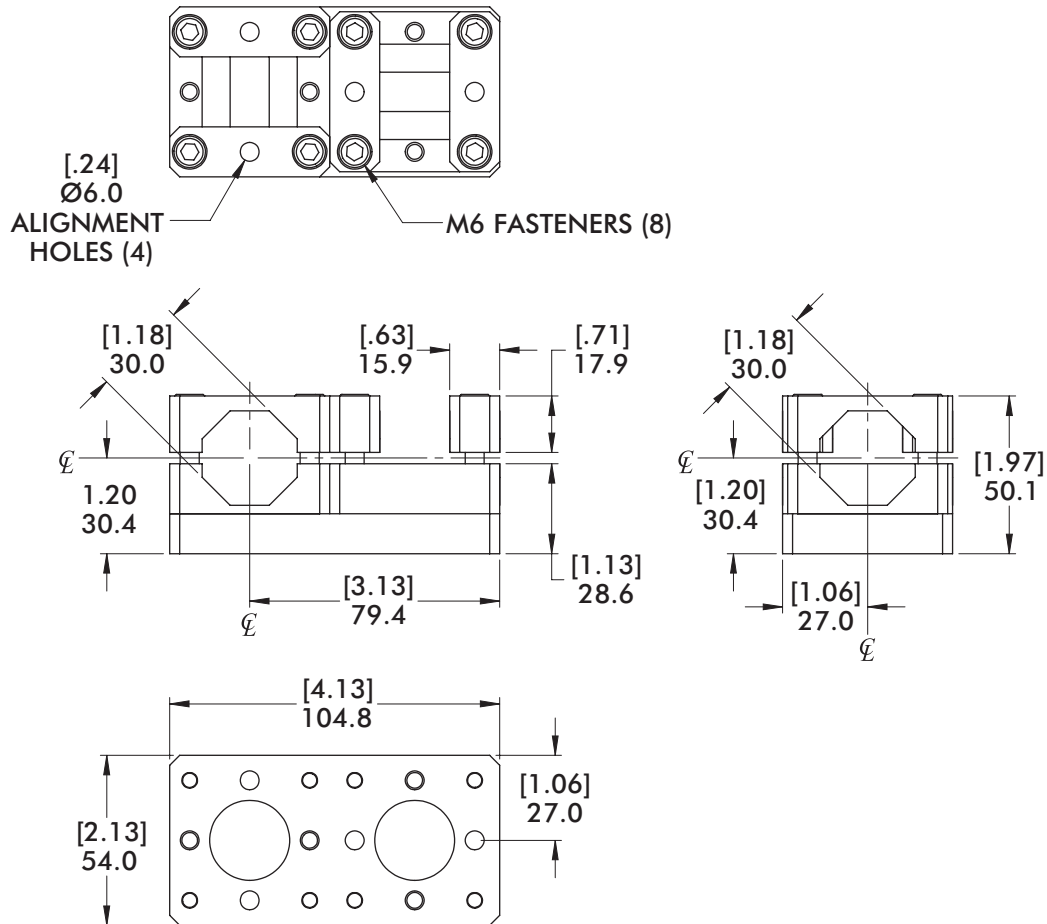
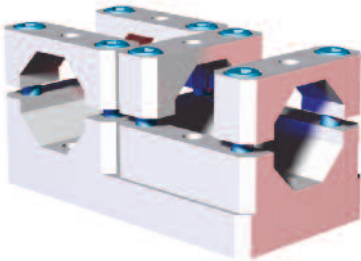


Specifications:

Max. Static Clamp Load:
102 N*m [75 ft-lb]
Material: Aluminum

Features:

- Connects (2) 30mm octagon extrusion perpendicular on the same plane.
- Lightweight, high-strength aluminum design.



Model Number	Weight
CPI-TCAM-30B-30B-M	.45 kg [.99 lb]



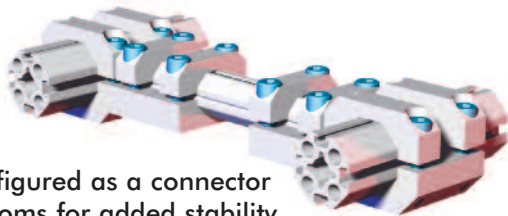
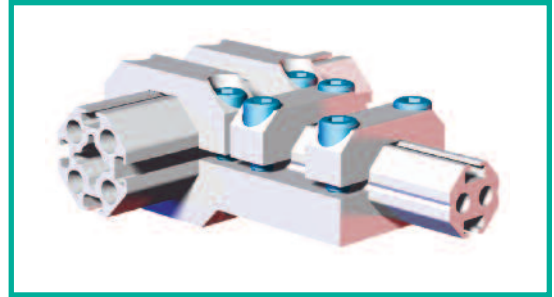
BodyBuilder™ Low Profile Transition Brackets TCA-30B-45B 30mm to 45mm Octagon T-Clamp Bracket Assembly

Features:

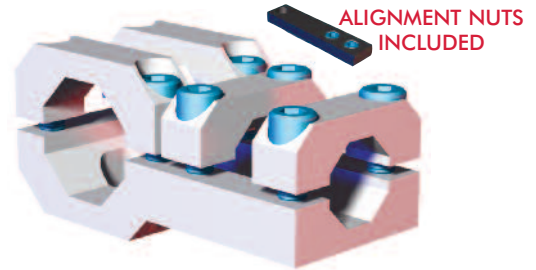
- Connects 30mm and 45mm octagon extrusion perpendicular on the same plane.
- Lightweight, high-strength aluminum design.

Specifications:

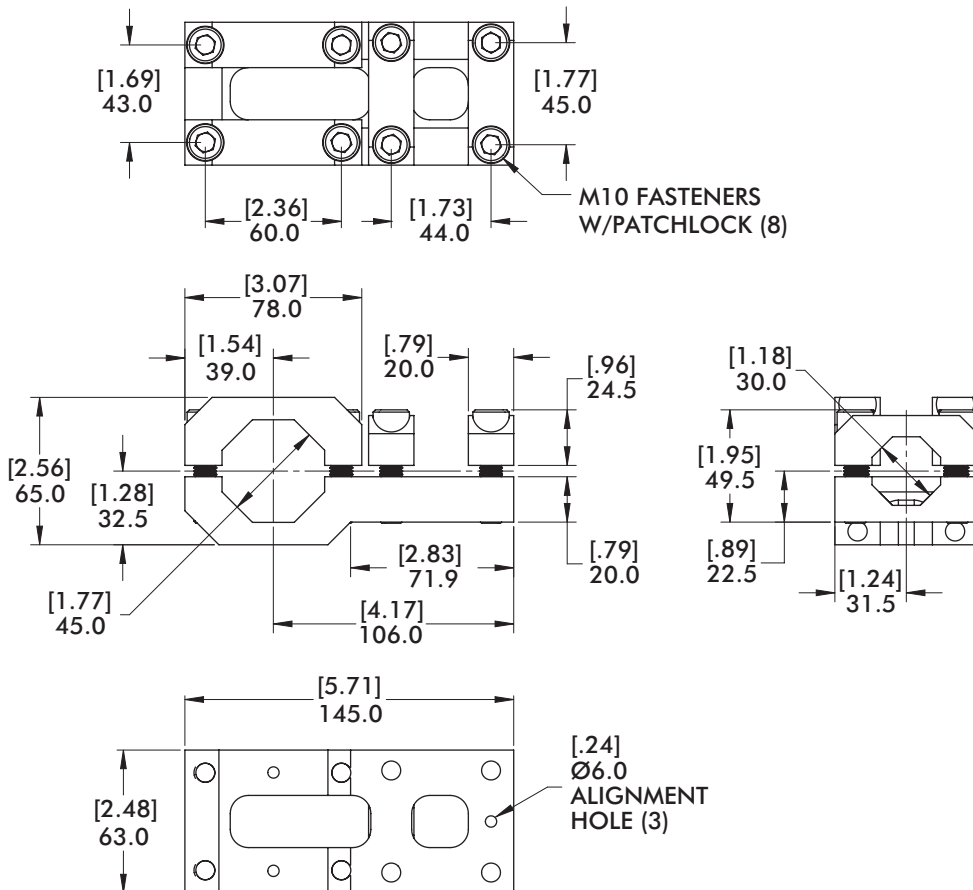
Max. Static Clamp Load:
 45mm: 475 N*m [350 ft-lb]
 30mm: 271 N*m [200 ft-lb]
Material: Aluminum



Can be configured as a connector between booms for added stability

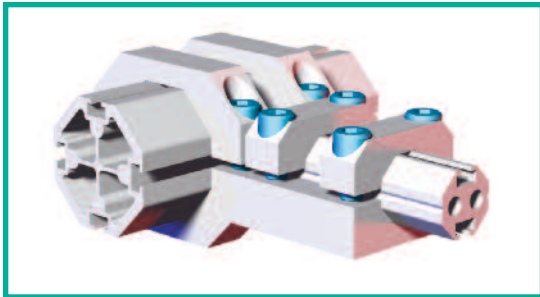


ALIGNMENT NUTS INCLUDED



Model Number	Weight
CPI-TCA-30B-45B	.80 kg [1.76 lb]

BodyBuilder™ Low Profile Transition Brackets
TCA-30B-60B 30mm to 60mm Octagon T-Clamp Bracket Assembly



Specifications:

Max. Static Clamp Load:

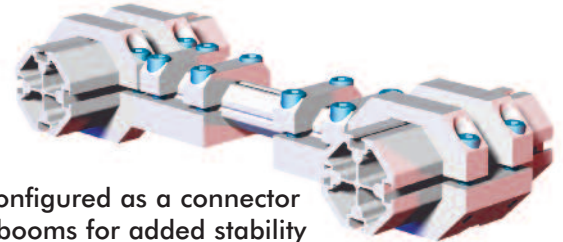
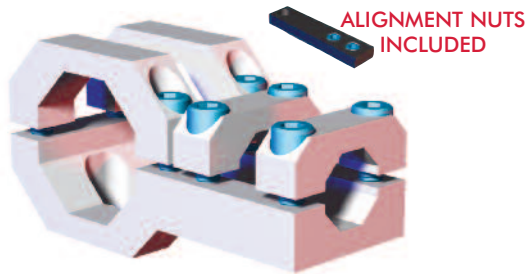
60mm: 746 N*m [550 ft-lb]

30mm: 271 N*m [200 ft-lb]

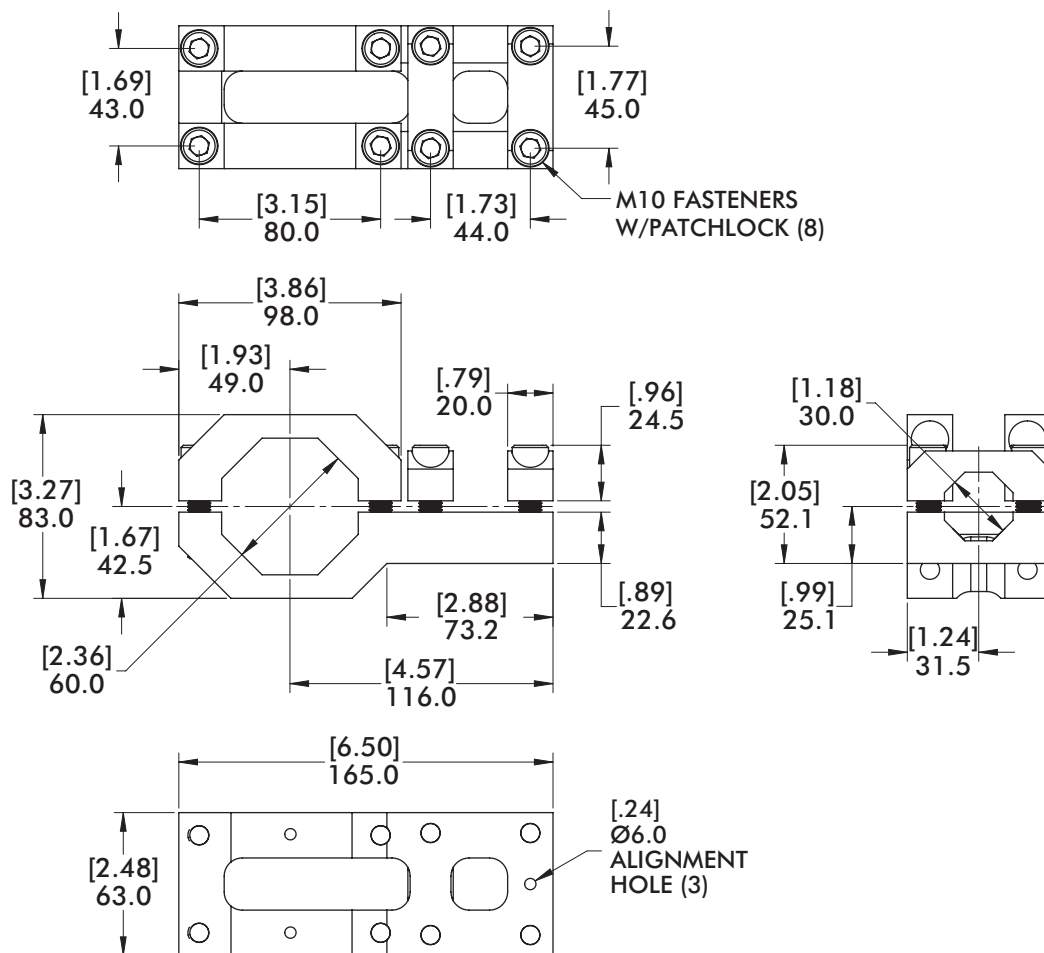
Material: Aluminum

Features:

- Connects 30mm and 60mm octagon extrusion perpendicular on the same plane.
- Lightweight, high-strength aluminum design.



Can be configured as a connector between booms for added stability



Model Number	Weight
CPI-TCA-30B-60B	1.23 kg [2.71 lb]

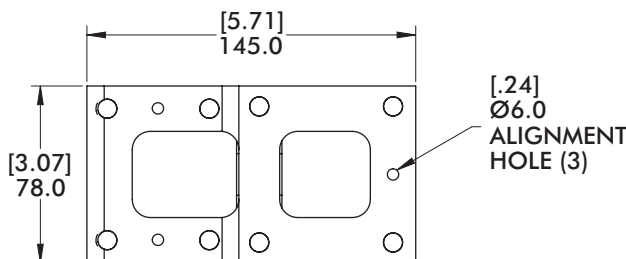
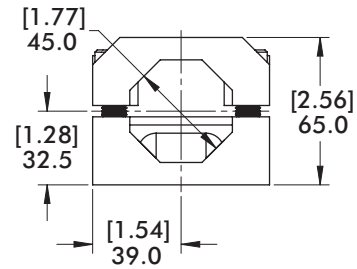
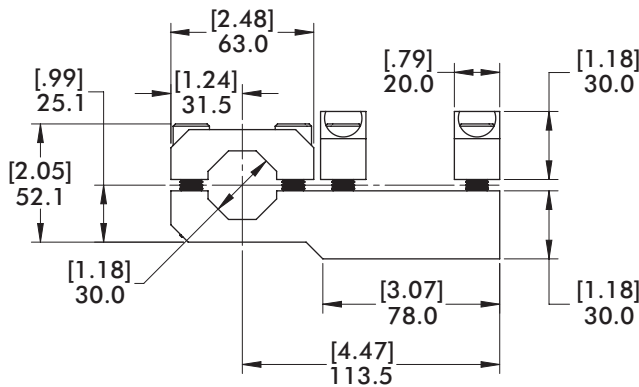
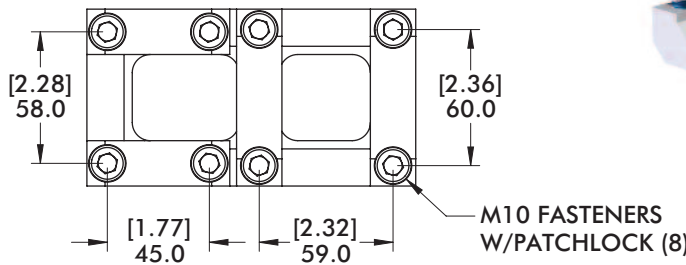
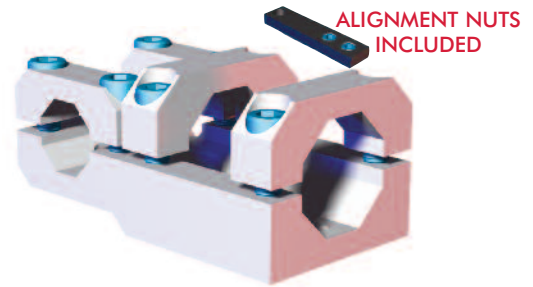
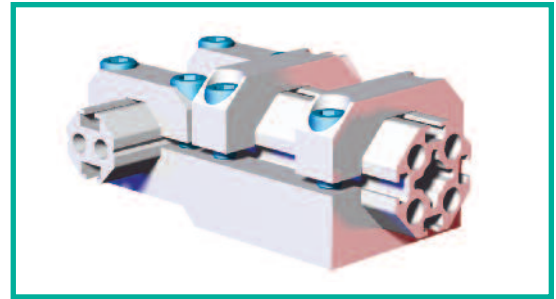
BodyBuilder™ Low Profile Transition Brackets
TCA-45B-30B 45mm to 30mm Octagon T-Clamp Bracket Assembly

Features:

- Connects 45mm and 30mm octagon extrusion perpendicular on the same plane.
- Lightweight, high-strength aluminum design.

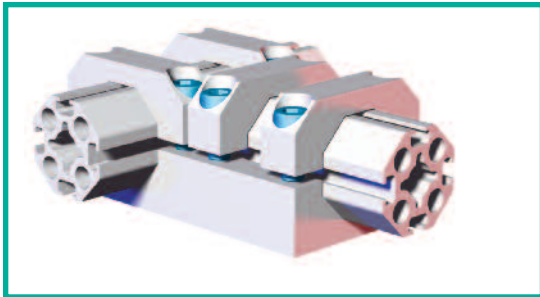
Specifications:

Max. Static Clamp Load:
 45mm: 475 N*m [350 ft-lb]
 30mm: 271 N*m [200 ft-lb]
Material: Aluminum



Model Number	Weight
CPI-TCA-45B-30B	.91 kg [2.02 lb]

BodyBuilder™ Low Profile Transition Brackets
TCA-45B-45B 45mm to 45mm Octagon T-Clamp Bracket Assembly

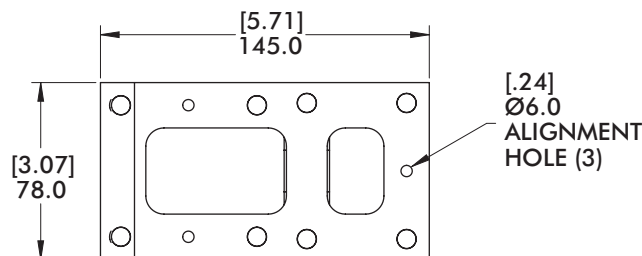
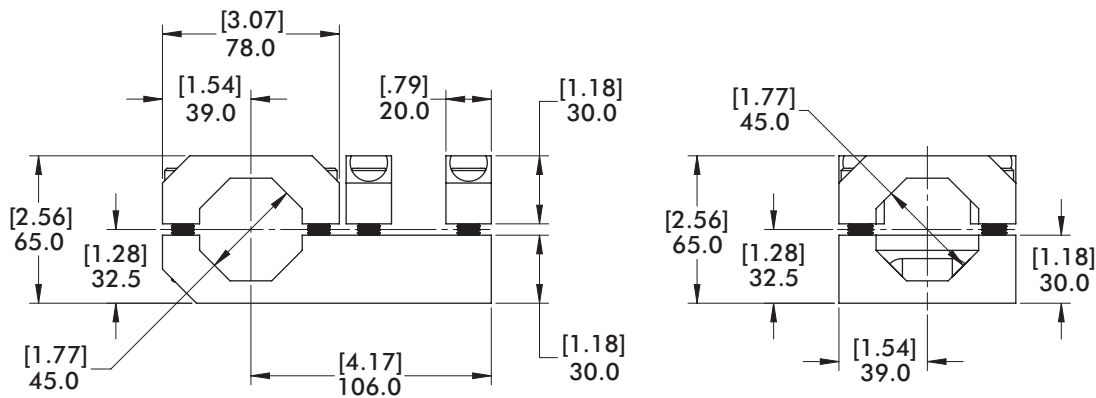
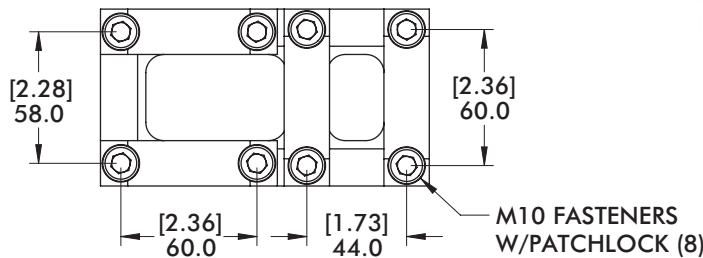


Specifications:

Max. Static Clamp Load:
 45mm: 475 N*m [350 ft-lb]
Material: Aluminum

Features:

- Connects (2) 45mm octagon extrusion perpendicular on the same plane.
- Lightweight, high-strength aluminum design.



Model Number	Weight
CPI-TCA-45B-45B	.95 kg [2.09 lb]

BodyBuilder™ Low Profile Transition Brackets

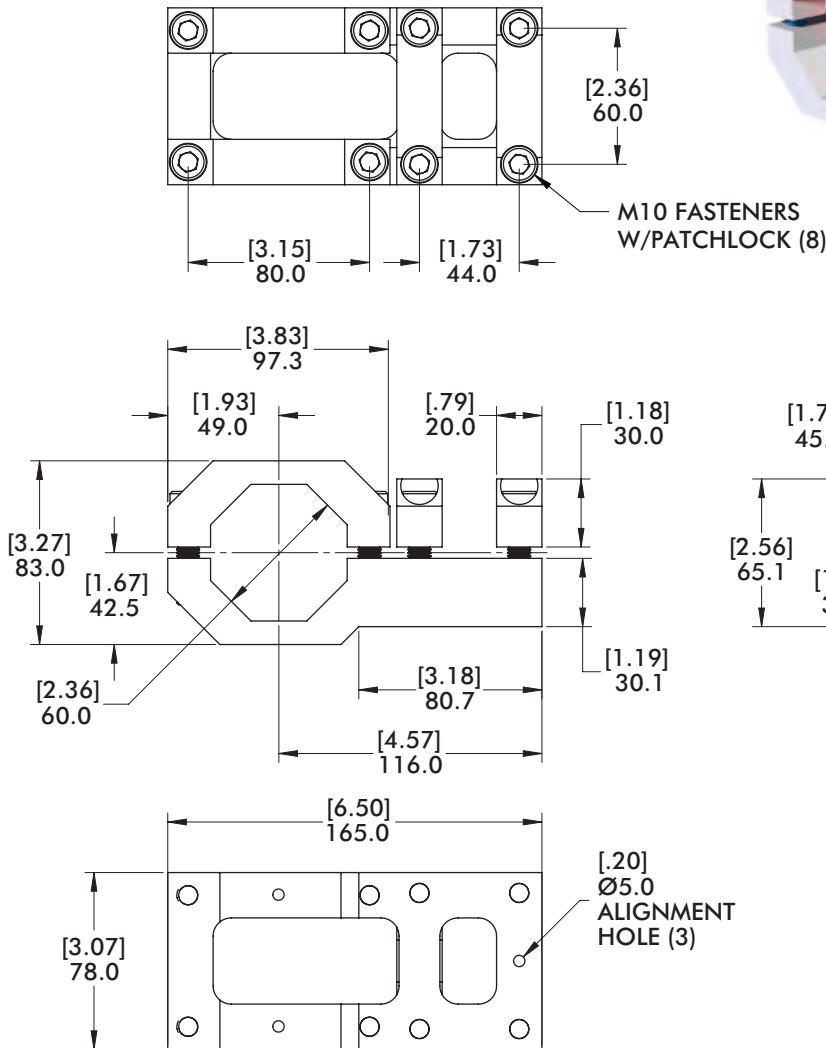
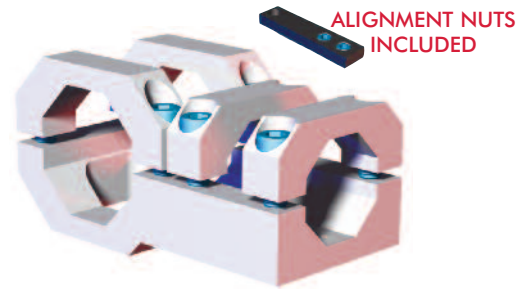
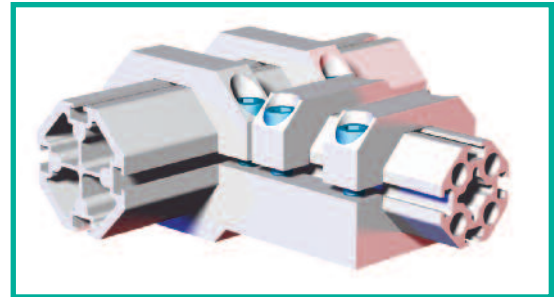
TCA-45B-60B 45mm to 60mm Octagon T-Clamp Bracket Assembly

Features:

- Connects 45mm and 60mm octagon extrusion perpendicular on the same plane.
- Lightweight, high-strength aluminum design.

Specifications:

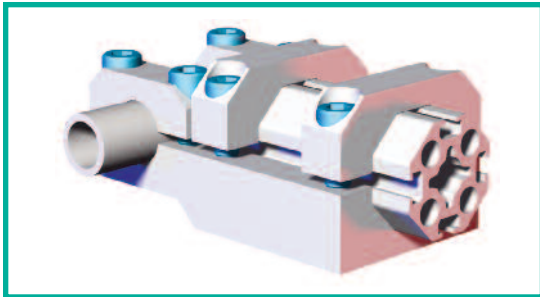
Max. Static Clamp Load:
 60mm: 746 N*m [550 ft-lb]
 45mm: 475 N*m [350 ft-lb]
Material: Aluminum



Model Number	Weight
CPI-TCA-45B-60B	1.21 kg [2.67lb]

BodyBuilder™ Low Profile Transition Brackets

TCA-45B-25M 45mm Octagon to 25mm Round T-Clamp Bracket Assembly



Specifications:

Max. Static Clamp Load:

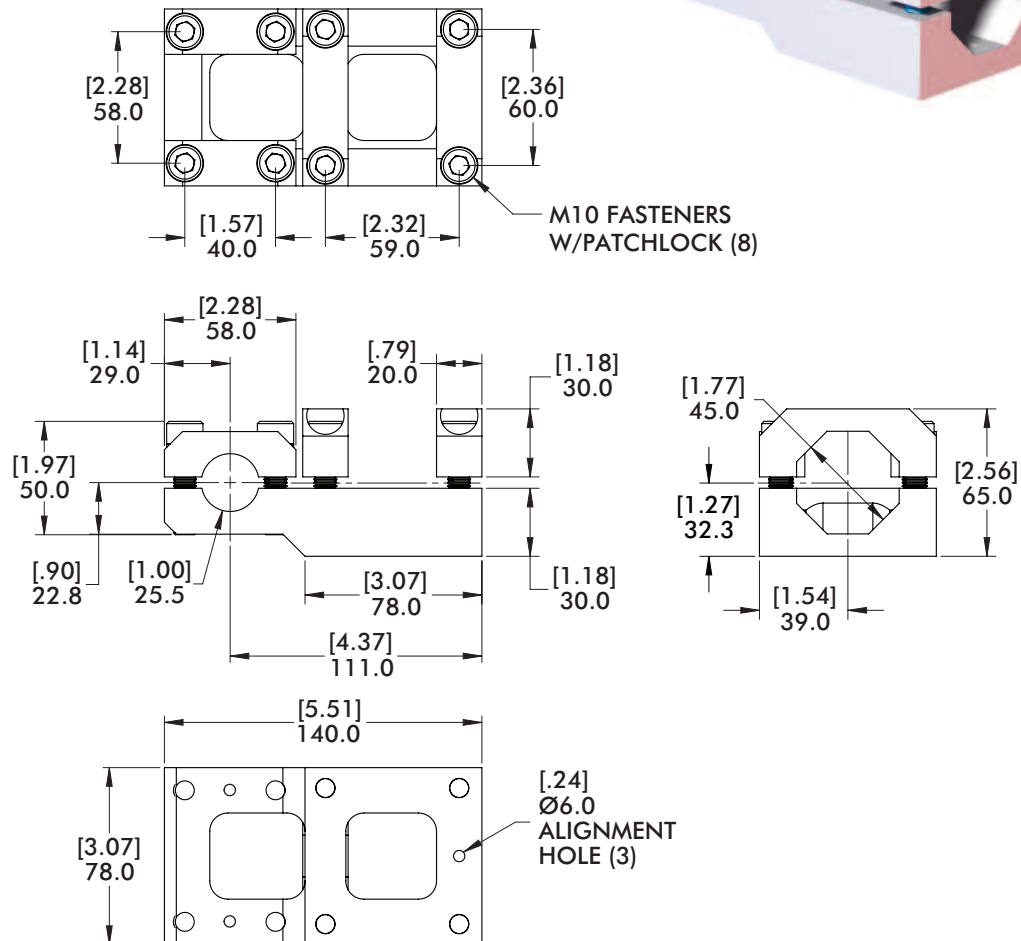
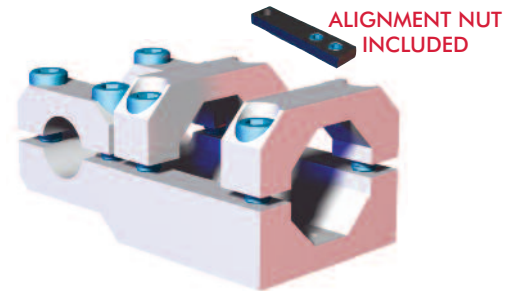
45mm: 475 N*m [350 ft-lb]

25mm: 271 N*m [200 ft-lb]

Material: Aluminum

Features:

- Connects 45mm octagon and 25mm round perpendicular on the same plane.
- Lightweight, high-strength aluminum design.



Model Number	Weight
CPI-TCA-45B-25M	.89 kg [1.97lb]



BodyBuilder™ Low Profile Transition Brackets

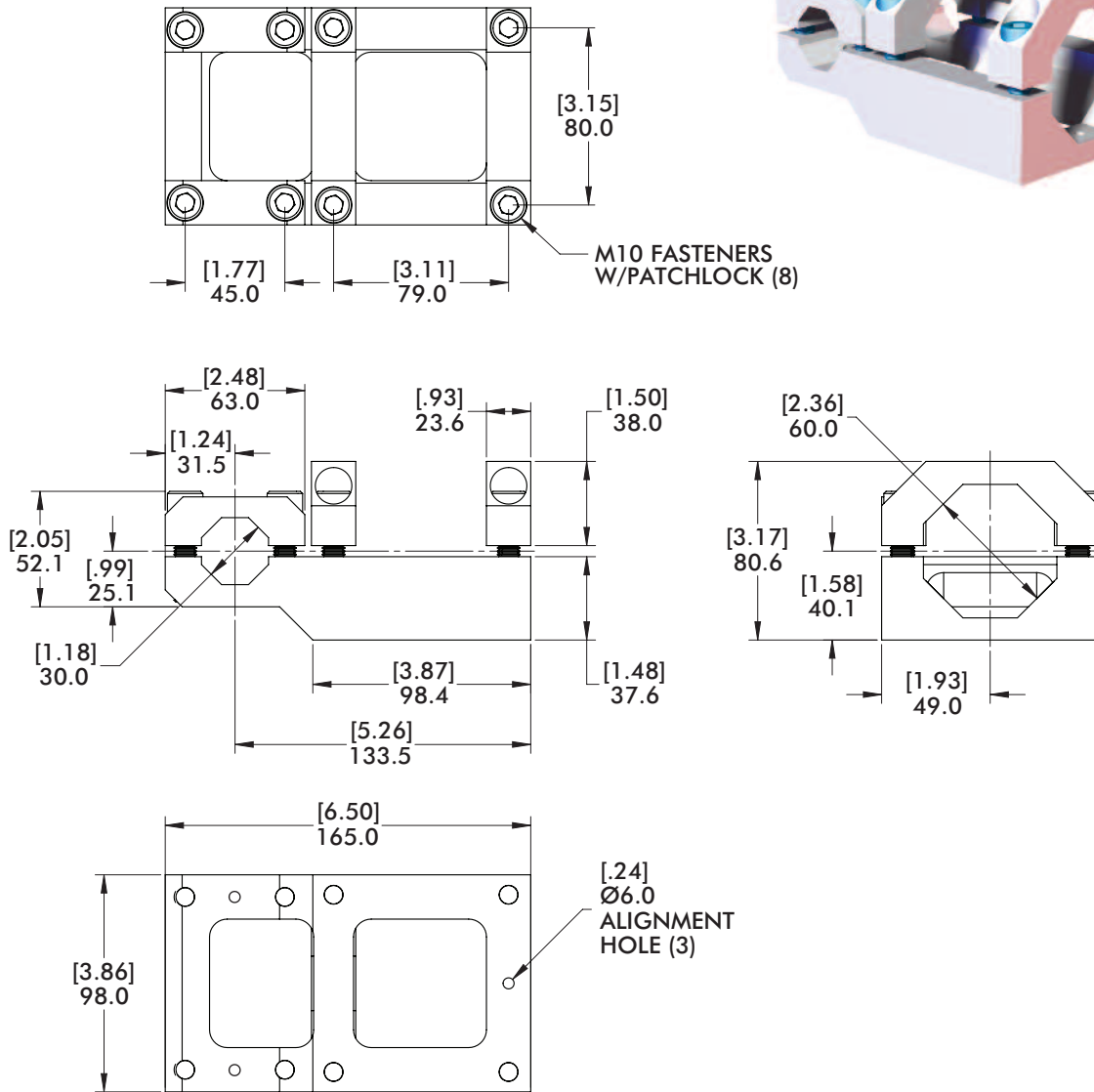
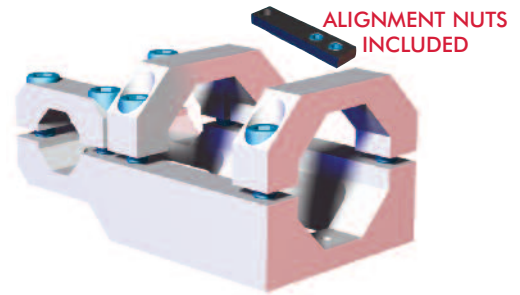
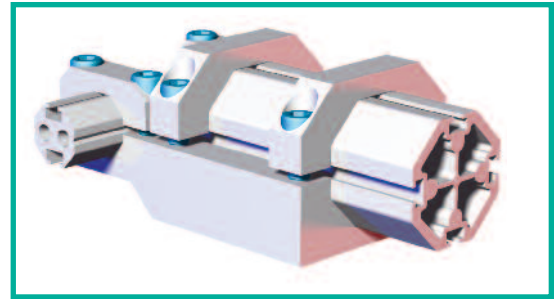
TCA-60B-30B 60mm to 30mm octagon T-Clamp Bracket Assembly

Features:

- Connects 60mm and 30mm octagon extrusion perpendicular on the same plane.
- Lightweight, high-strength aluminum design.

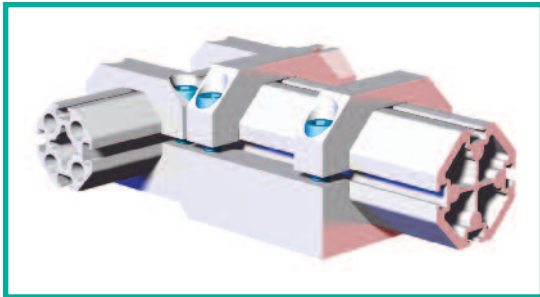
Specifications:

Max. Static Clamp Load:
 60mm: 746 N*m [550 ft-lb]
 30mm: 271 N*m [200 ft-lb]
Material: Aluminum



Model Number	Weight
CPI-TCA-60B-30B	1.32 kg [2.91 lb]

BodyBuilder™ Low Profile Transition Brackets
TCA-60B-45B 60mm to 45mm octagon T-Clamp Bracket Assembly

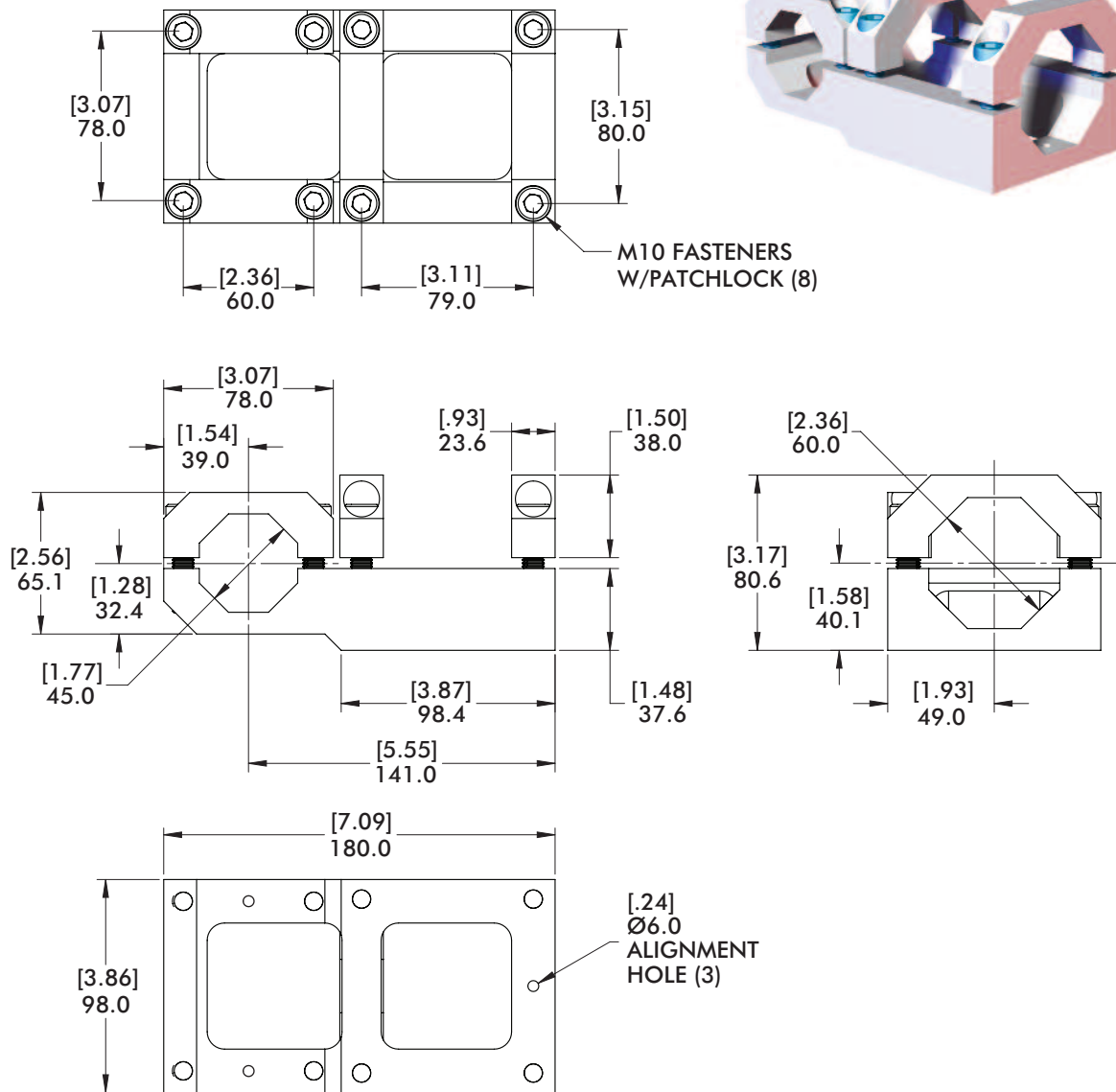
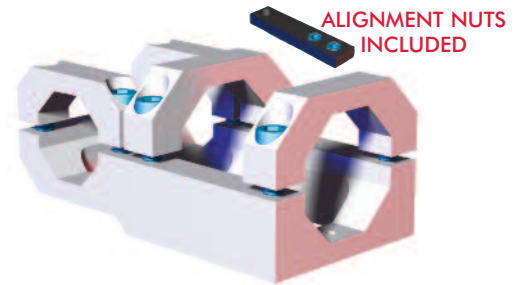


Specifications:

Max. Static Clamp Load:
 60mm: 746 N*m [550 ft-lb]
 45mm: 475 N*m [350 ft-lb]
Material: Aluminum

Features:

- Connects 60mm and 45mm octagon extrusion perpendicular on the same plane.
- Lightweight, high-strength aluminum design.



Model Number	Weight
CPI-TCA-60B-45B	1.45 kg [3.20 lb]



BodyBuilder™ Low Profile Transition Brackets

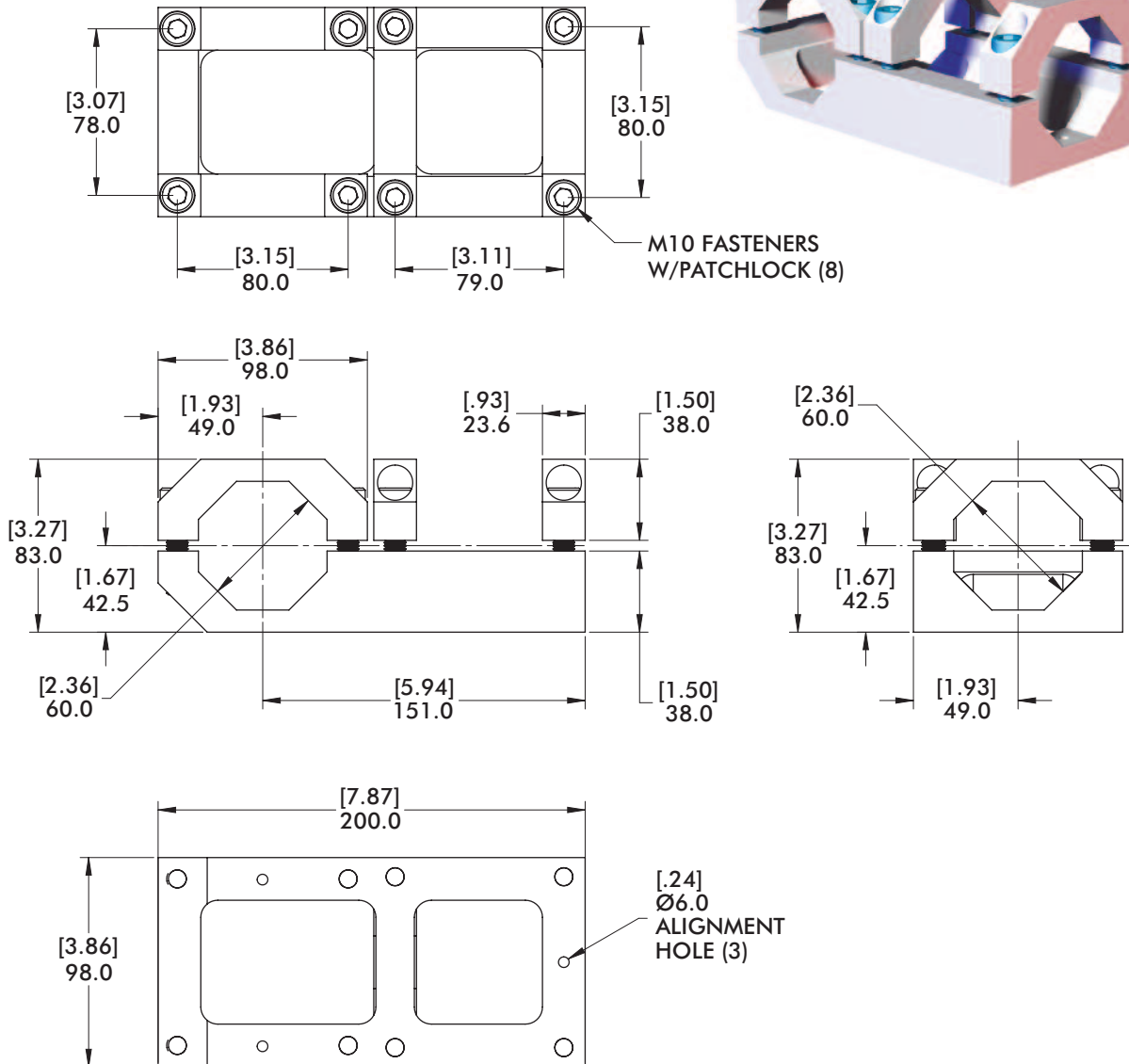
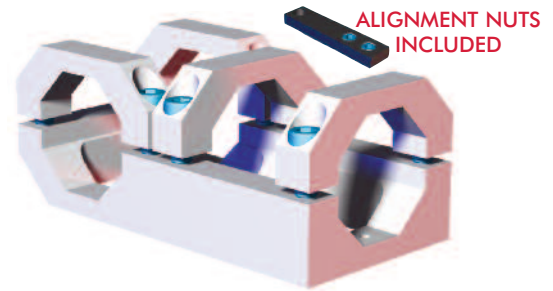
TCA-60B-60B 60mm to 60mm octagon T-Clamp Bracket Assembly

Features:

- Connects (2) 60mm octagon extrusions perpendicular on the same plane.
- Lightweight, high-strength aluminum design.

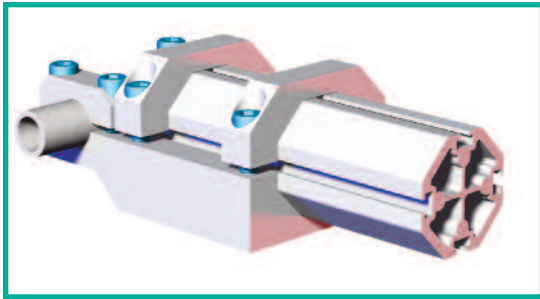
Specifications:

Max. Static Clamp Load:
60mm: 746 N*m [550 ft-lb]
Material: Aluminum



Model Number	Weight
CPI-TCA-60B-60B	1.77 kg [3.90 lb]

BodyBuilder™ Low Profile Transition Brackets TCA-60B-25M 60mm Octagon to 25mm Round T-Clamp Bracket Assembly

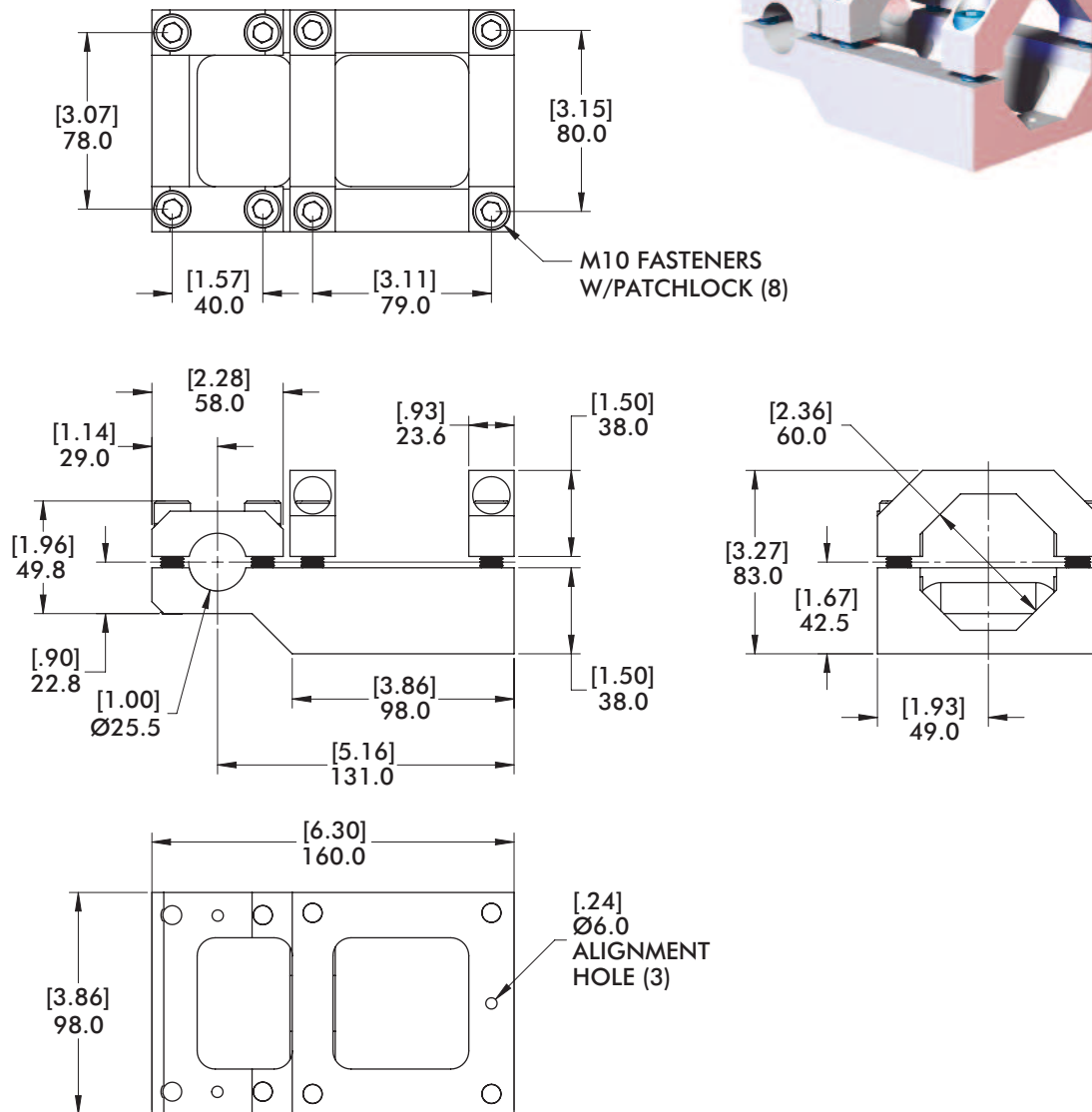
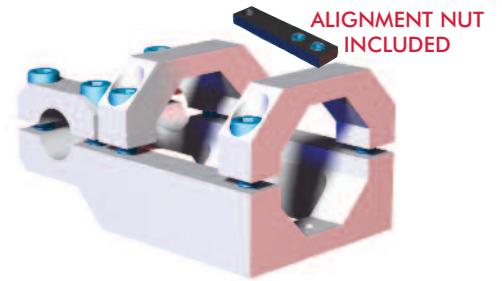


Specifications:

Max. Static Clamp Load:
 60mm: 746 N*m [550 ft-lb]
 30mm: 271 N*m [200 ft-lb]
Material: Aluminum

Features:

- Connects 60mm octagon and 25mm round perpendicular on the same plane.
- Lightweight, high-strength aluminum design.



Model Number	Weight
CPI-TCA-60B-25M	1.25 kg [2.76 lb]

BodyBuilder™ Low Profile Transition Brackets

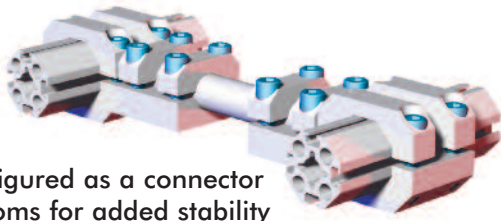
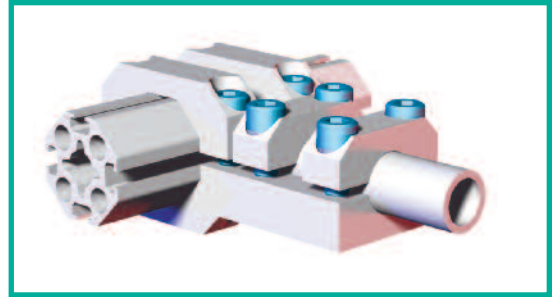
TCA-25M-45B 25mm Round to 45mm Octagon T-Clamp Brackets Assembly

Features:

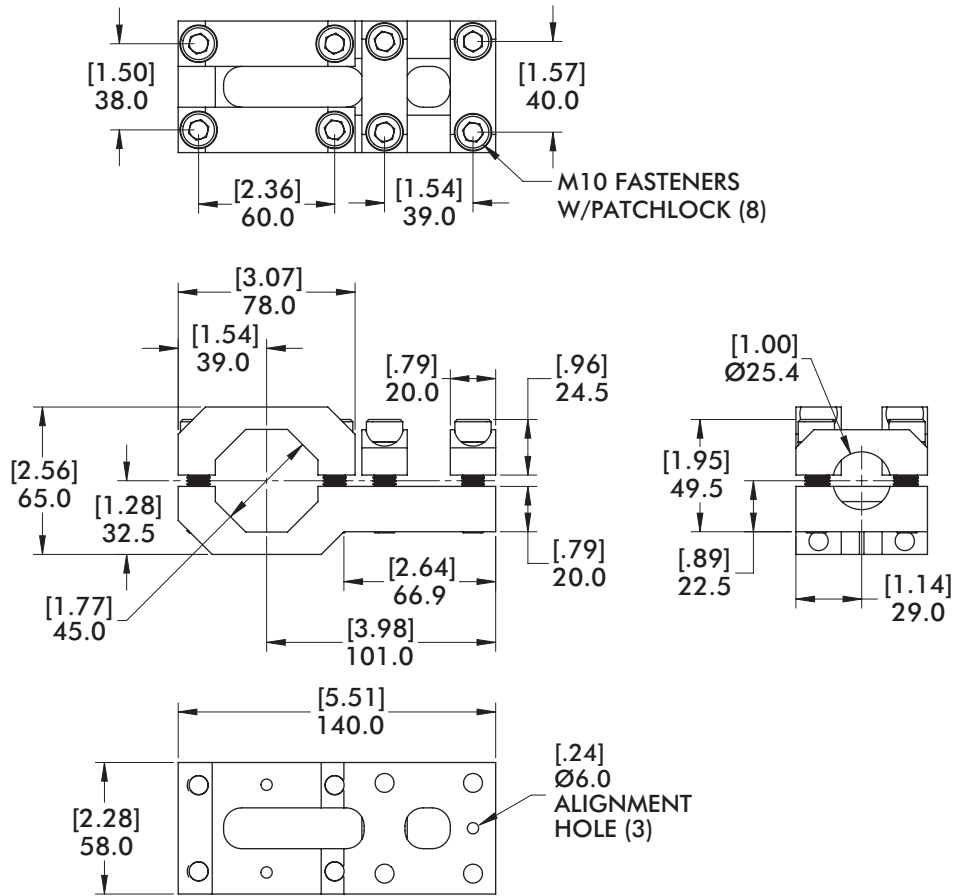
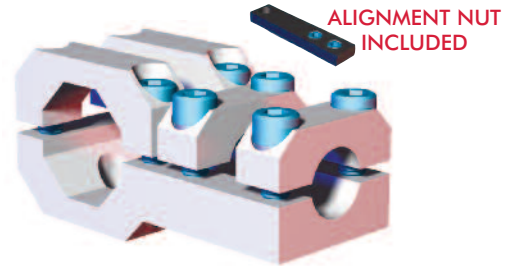
- Connects 25mm round and 45mm octagon perpendicular on the same plane.
- Lightweight, high-strength aluminum design.

Specifications:

Max. Static Clamp Load:
 45mm: 475 N*m [350 ft-lb]
 25mm: 271 N*m [200 ft-lb]
Material: Aluminum

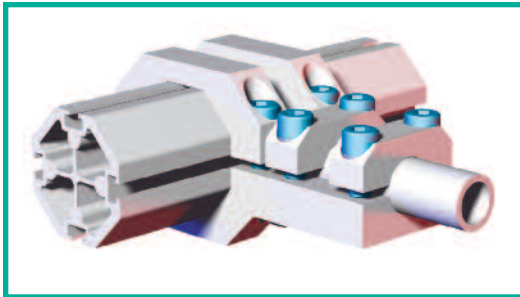


Can be configured as a connector between booms for added stability



Model Number	Weight
CPI-TCA-25M-45B	.57 kg [1.26 lb]

BodyBuilder™ Low Profile Transition Brackets
TCA-25M-60B 25mm Round to 60mm Octagon T-Clamp Bracket Assembly

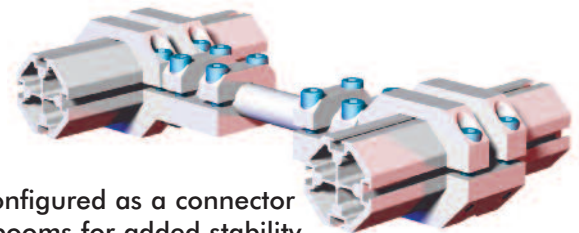
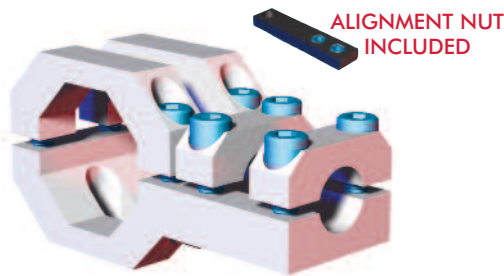


Specifications:

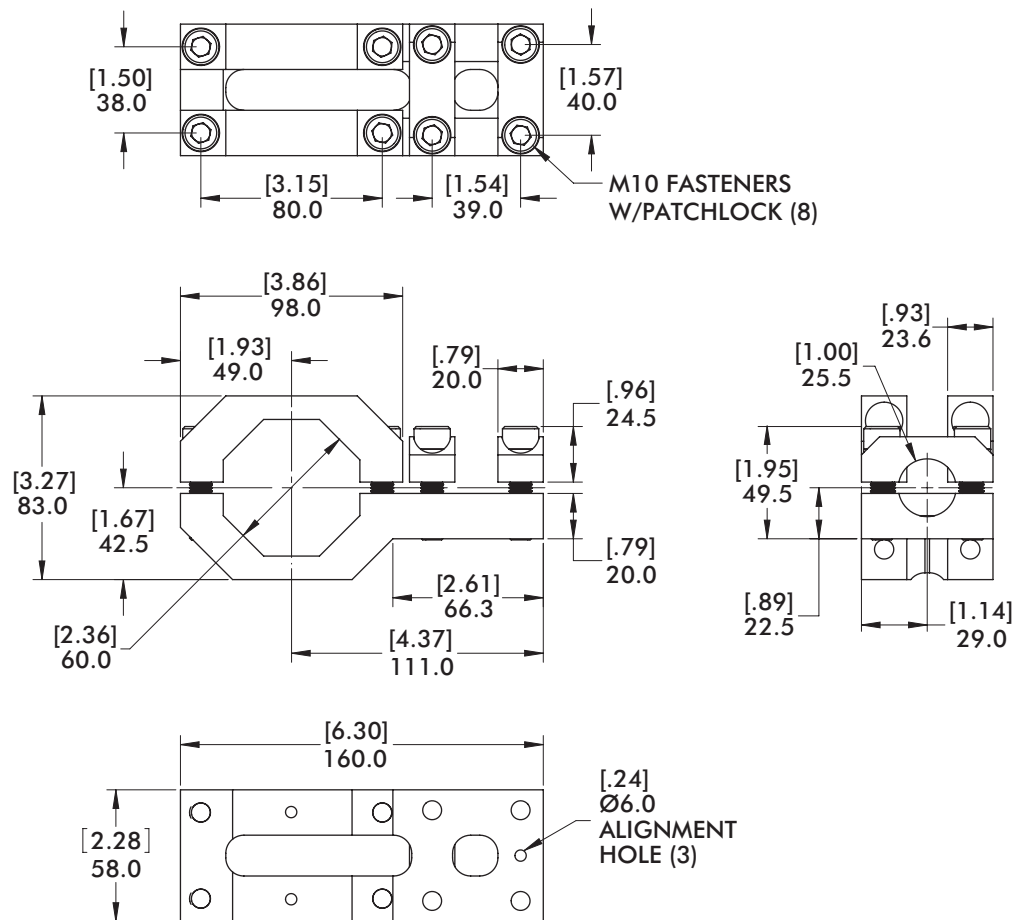
Max. Static Clamp Load:
 60mm: 746 N*m [550 ft-lb]
 25mm: 271 N*m [200 ft-lb]
Material: Aluminum

Features:

- Connects 25mm round and 60mm octagon perpendicular on the same plane.
- Lightweight, high-strength aluminum design.



Can be configured as a connector between booms for added stability



Model Number	Weight
CPI-TCA-25M-60B	.85 kg [1.87 lb]

BodyBuilder™ Low Profile Transition Brackets

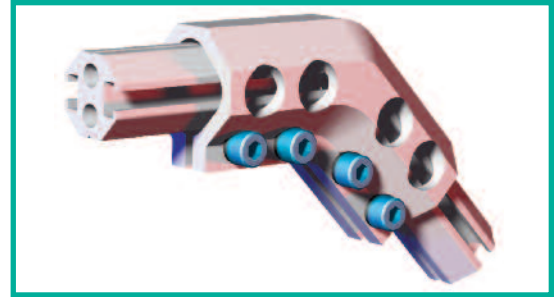
45° Angular Boom Clamp Brackets

Features:

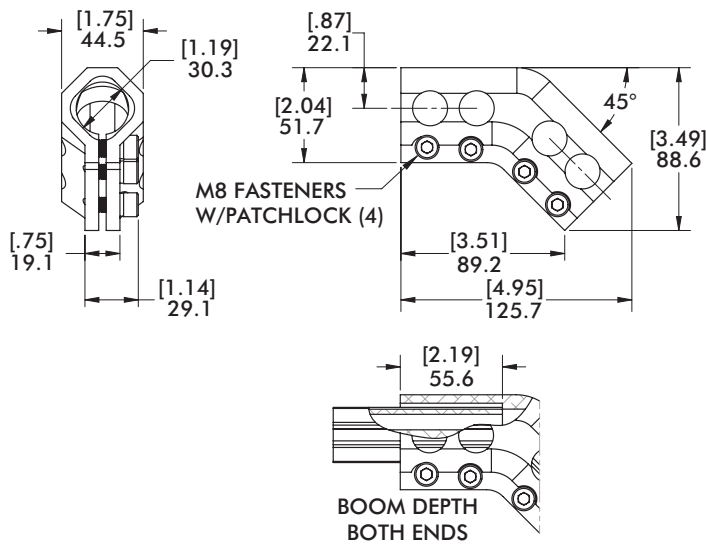
- Mounts (2) Bodybuilder extrusion booms inline at a 45° angle.

Specifications:

Material: Aluminum

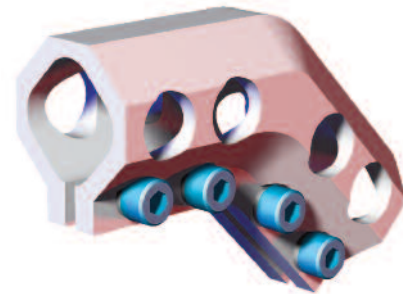


DC-3030B-45 30mm to 30mm 45° External Boom Clamp Brackets



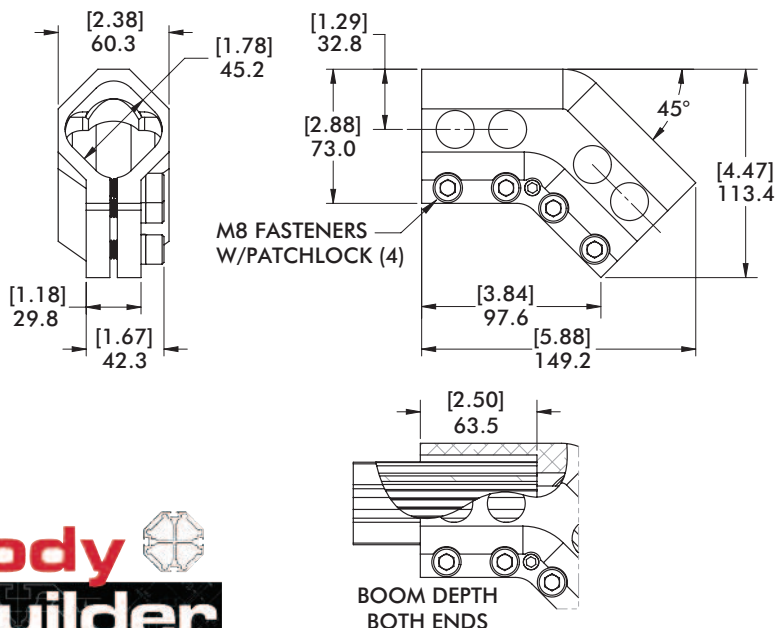
Specifications:

Max. Static Clamp Load:
271N*m [200 ft-lb]



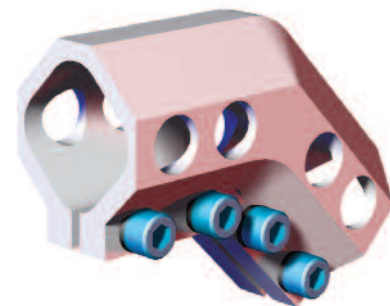
Model Number	Weight
CPI-DC-3030B-45	.30 kg [.66 lb]

DC-4545B-45 45mm to 45mm 45° Angular Boom Clamp Brackets



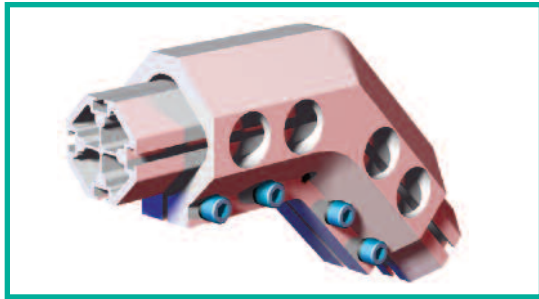
Specifications:

Max. Static Clamp Load:
475 N*m [350 ft-lb]



Model Number	Weight
CPI-DC-4545B-45	.64 kg [1.4 lb]

BodyBuilder™ Low Profile Transition Brackets DC-6060B-45 60mm to 60mm 45° Angular Boom Clamp Brackets

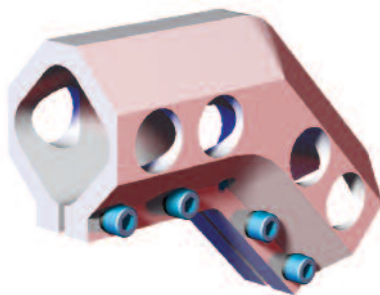
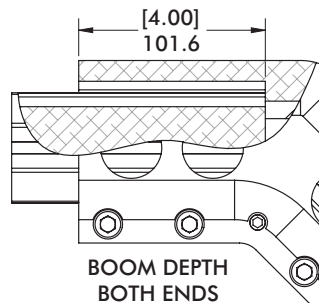
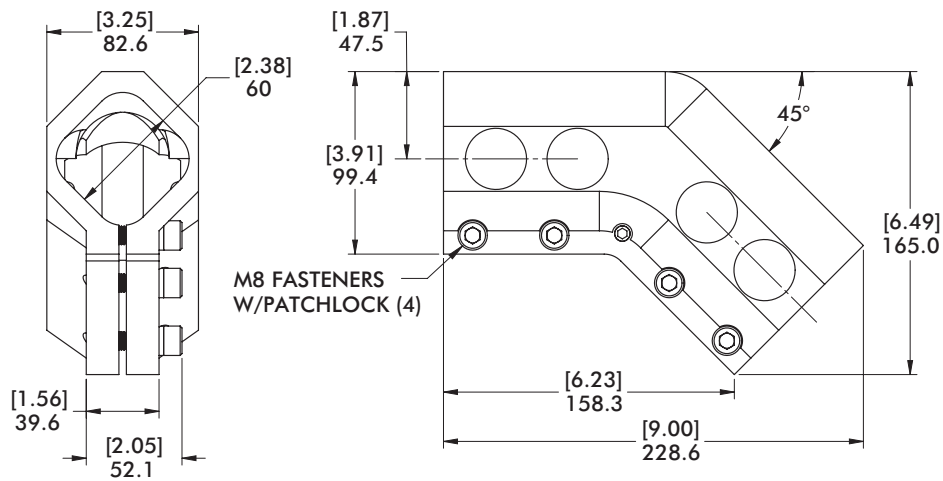


Specifications:

Max. Static Clamp Load:
746 N*m [550 ft-lb]
Material: Aluminum

Features:

- Mounts (2) Bodybuilder extrusion booms inline at a 45° angle.



Model Number	Weight
CPI-DC-6060B-45	1.74 kg [3.8 lb]

BodyBuilder™ Accessory Brackets and Mounts

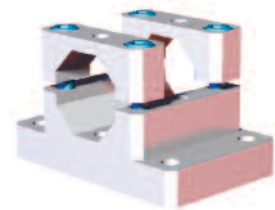
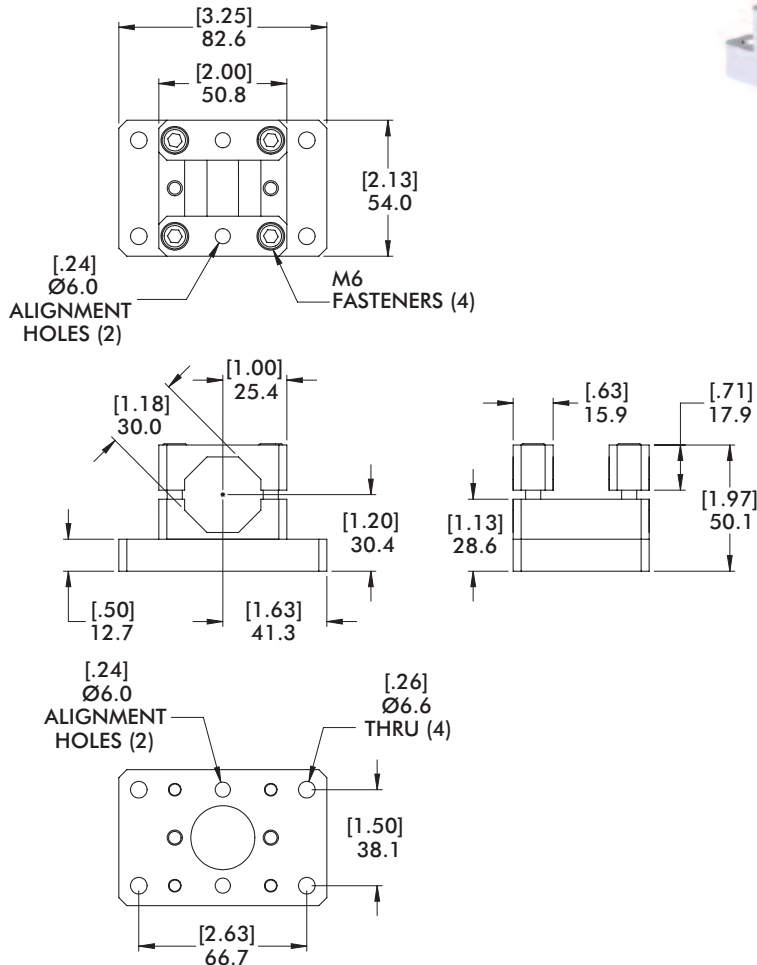
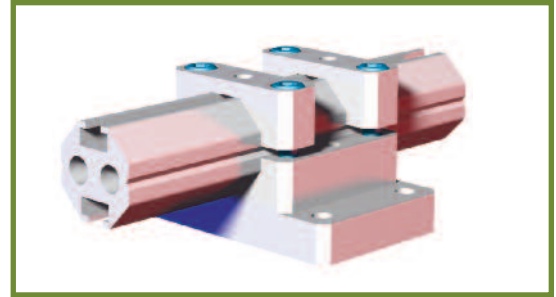
CLM-30B-152F-90 30mm Mid Flange Clamp Mount

Features:

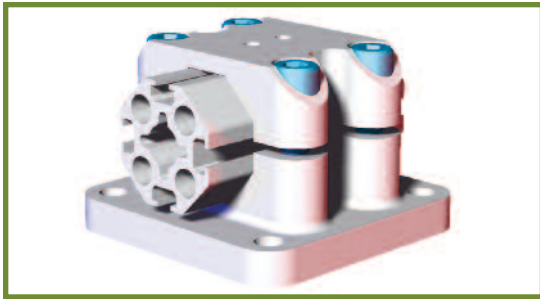
- Mounts 30mm extrusion parallel to the mounting surface.
- Can be used as robot interface when quick-change connector is not required.

Specifications:

Max. Static Clamp Load:
102 N*m [75 ft-lb]
Material: Cast Aluminum



BodyBuilder™ Accessory Brackets and Mounts
TBC-45 45mm Mid Flange Clamp Mount

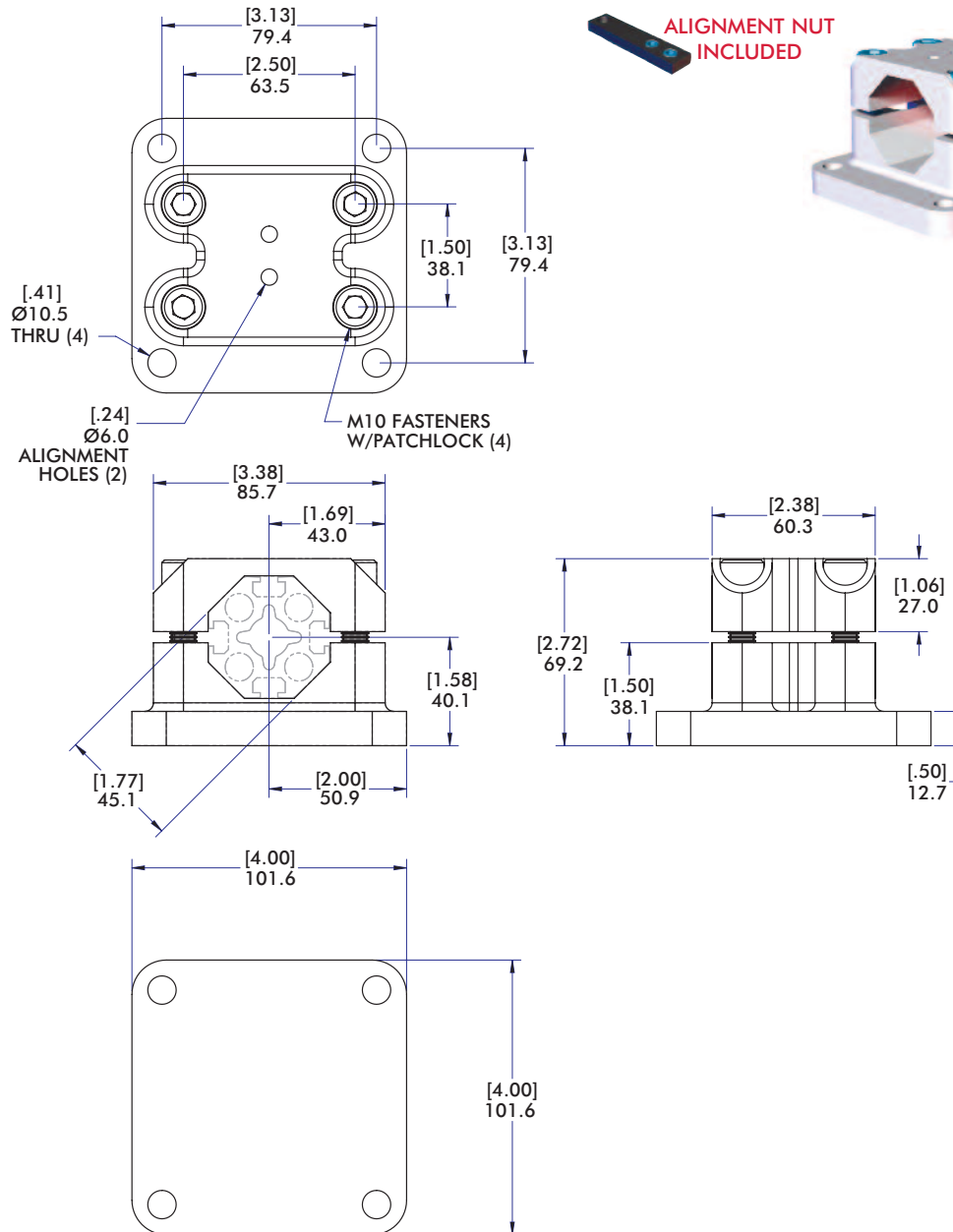


Specifications:

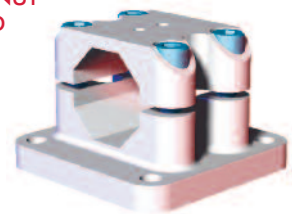
Max. Static Clamp Load:
 475 N*m [350 ft-lb]
 Material: Aluminum

Features:

- Mounts 45mm extrusion parallel to the mounting surface.
- Can be used as robot interface when quick-change connector is not required.



ALIGNMENT NUT INCLUDED



Model Number	Weight
TBC-45-00	0.79 kg [1.74 lb]

BodyBuilder™ Accessory Brackets and Mounts

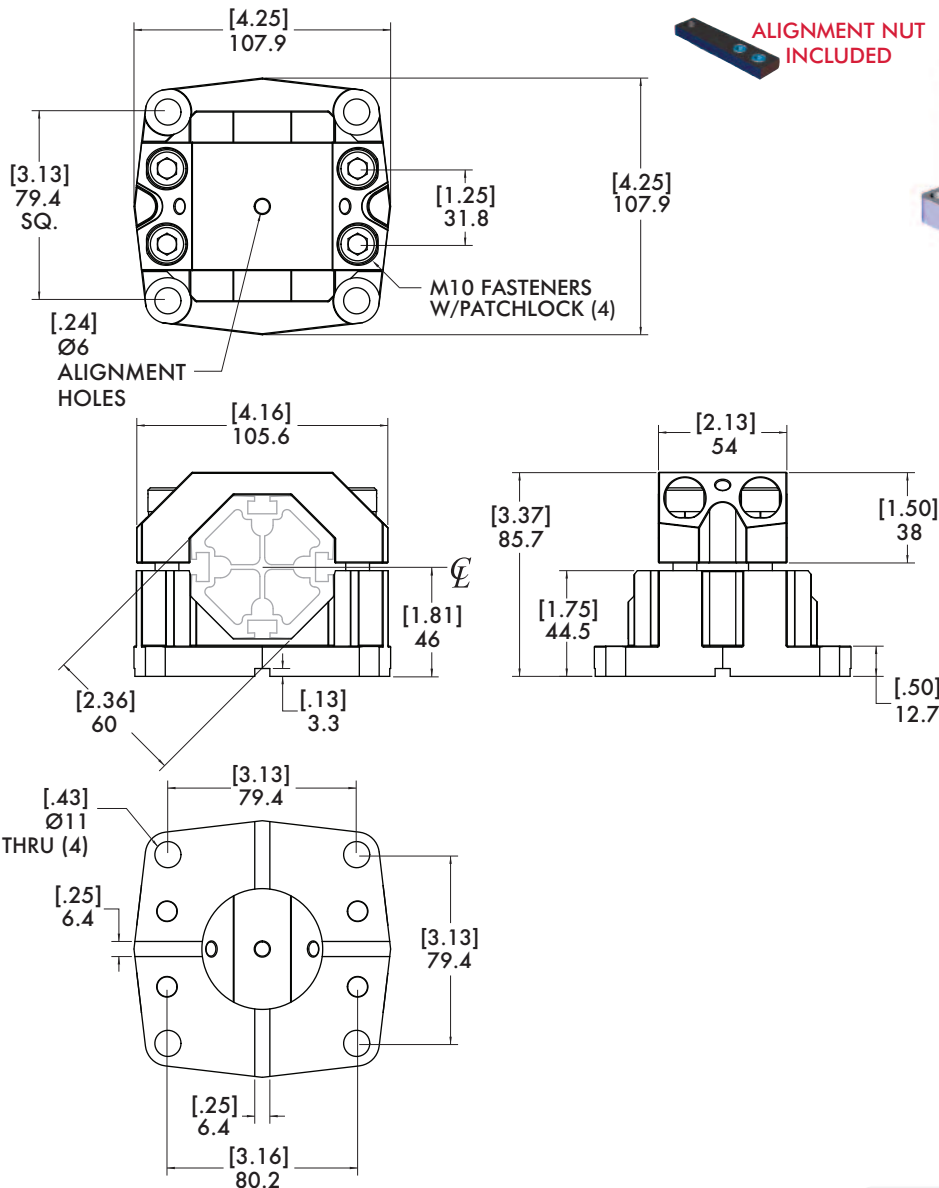
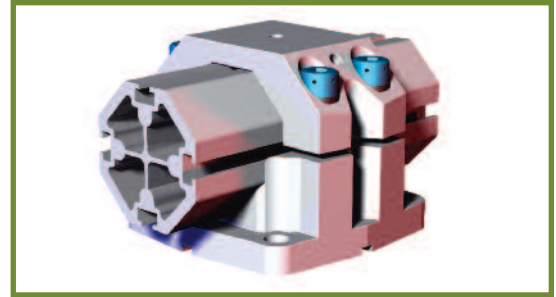
TBC-60 60mm Mid Flange Clamp Mount

Features:

- Mounts 60mm extrusion parallel to the mounting surface.
- Can be used to mount to robot with an interface plate.
- Cross-key design provides added strength for high-torque applications when used in conjunction with a slot and key mechanism.

Specifications:

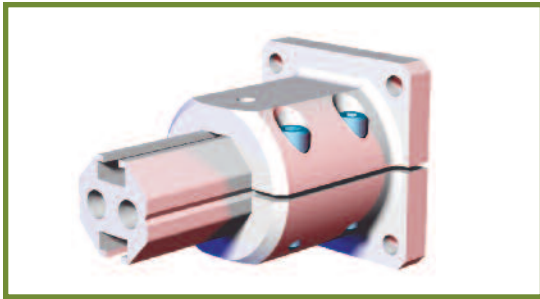
Max. Static Clamp Load:
746 N*m [550 ft-lb]
Material: Cast Aluminum



Cross Key sold separately: (2) x 540-25388

Model Number	Weight
TBC-60-00	0.92 kg [2.02 lb]

BodyBuilder™ Accessory Brackets and Mounts
CLM-30B-20F 30mm End Flange Clamp Mount

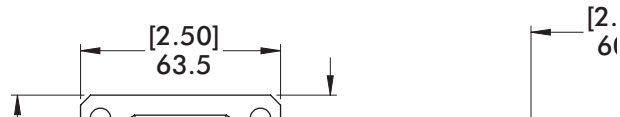
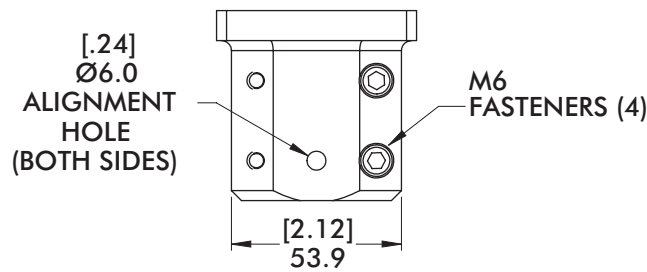
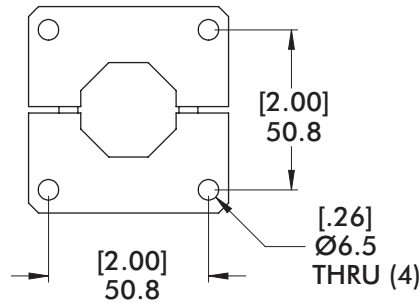
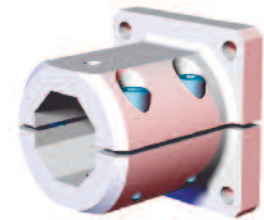


Specifications:

Max. Static Clamp Load:
 102 N*m [75 ft-lb]
 Material: Aluminum

Features:

- Mounts 30mm extrusion 90° to the mounting surface.
- Can be used as robot interface when quick-change connector is not required.



Model Number	Weight
CPI-CLM-30B-20F	.29 kg [.64 lb]

BodyBuilder™ Accessory Brackets and Mounts

BECC-60 60mm End Flange Clamp Mount

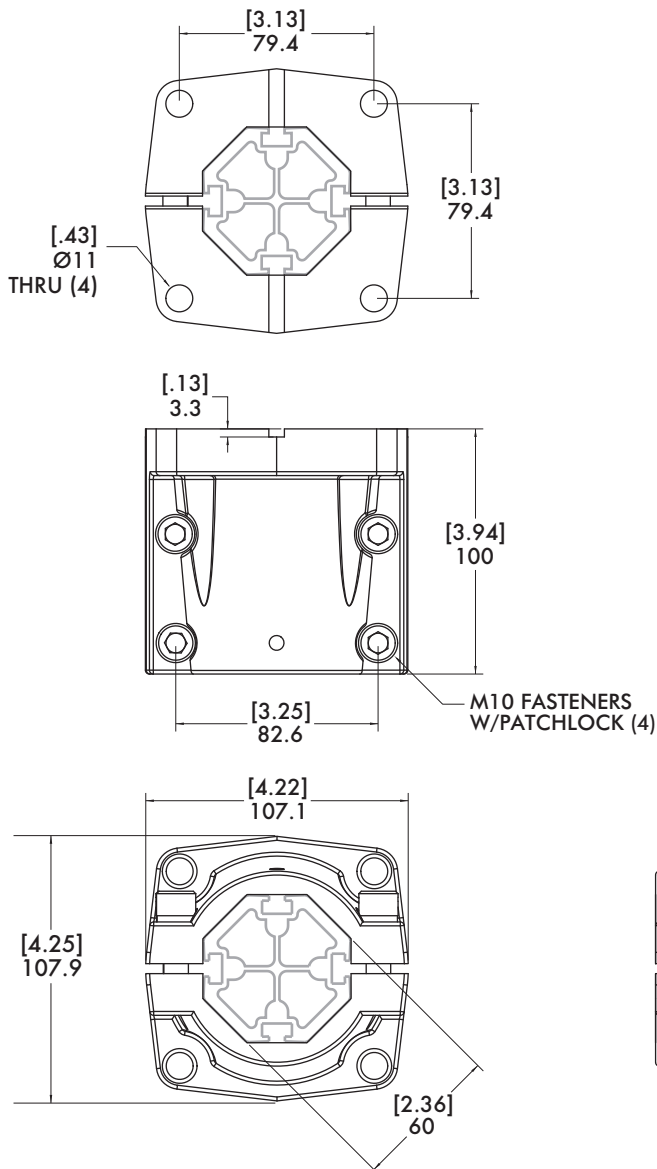
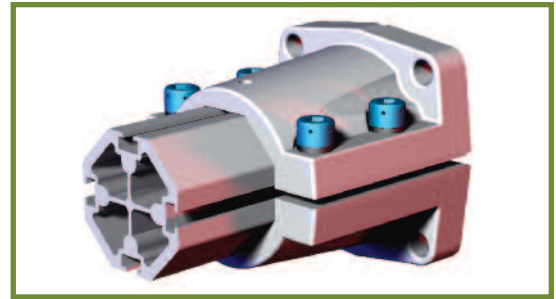
Features:

- Mounts 60mm extrusion 90° to the mounting surface.
- Can be used as robot interface when quick-change connector is not required.
- Cross-key design provides added strength for high-torque applications when used in conjunction with a slot and key mechanism.

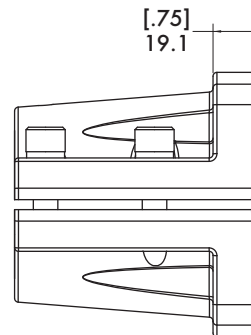
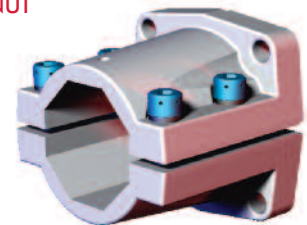
Specifications:

Max. Static Clamp Load:
746 N*m [550 ft-lb]

Material: Cast Aluminum



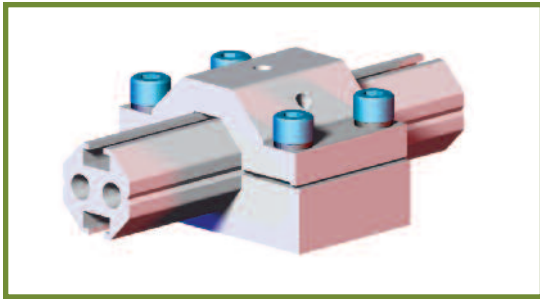
ALIGNMENT NUT INCLUDED



Cross Key sold separately: (2) x 540-25388

Model Number	Weight
BECC-60-00	1.21 kg [2.67 lb]

BodyBuilder™ Accessory Brackets and Mounts
TPM-30 30mm Accessory Mounting Bracket



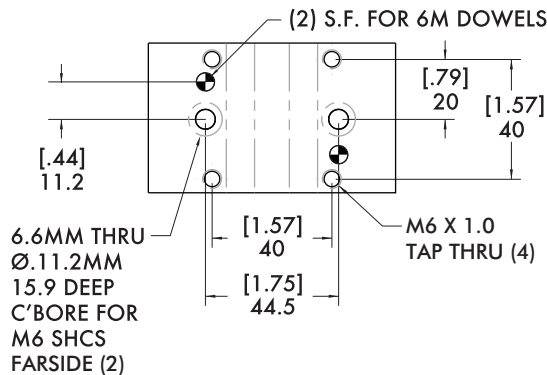
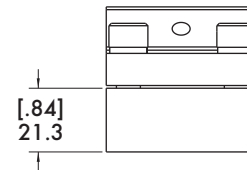
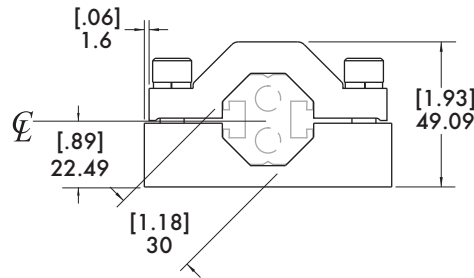
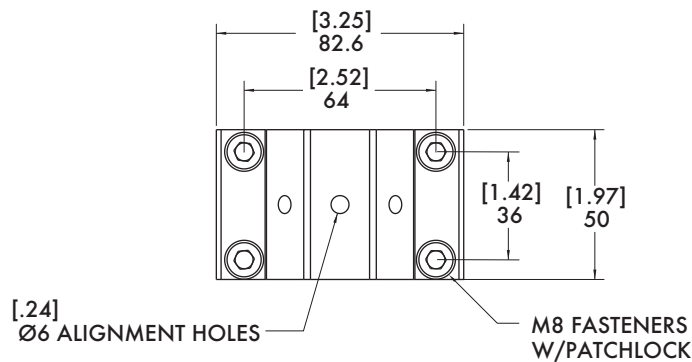
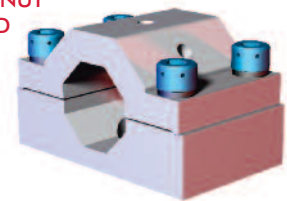
Specifications:

Max. Static Clamp Load:
 271 N*m [200 ft-lb]
 Material: Aluminum

Features:

- Provides a secure attachment point for clamps and pin locators.

ALIGNMENT NUT INCLUDED



Model Number	Weight
TPM-30	.36 kg [.80 lb]



BodyBuilder™ Accessory Brackets and Mounts

TPM(S)-45 45mm Accessory Mounting Bracket

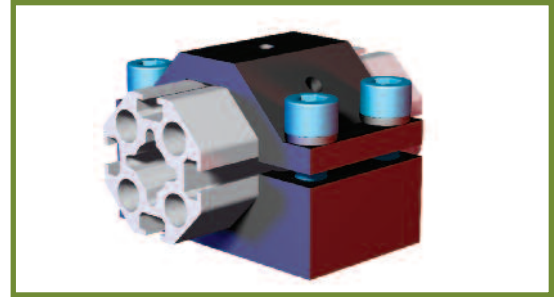
Features:

- Provides a secure attachment point for clamps and pin locators.
- Standard NAAMS mounting patterns.

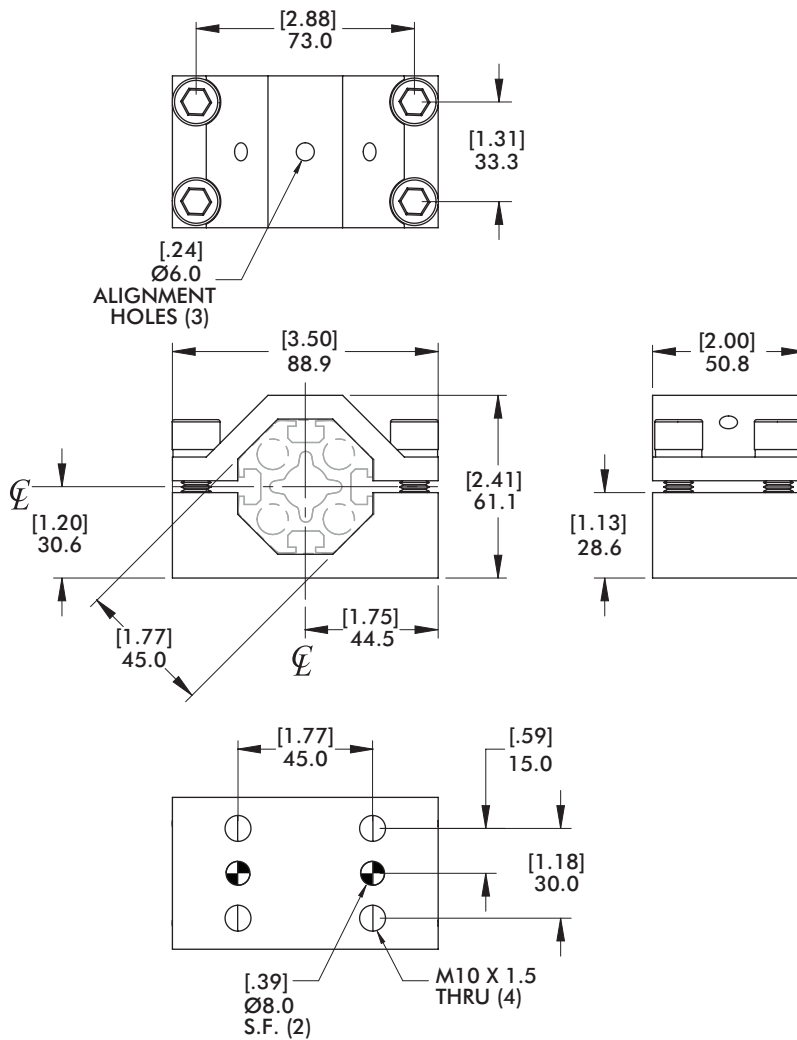
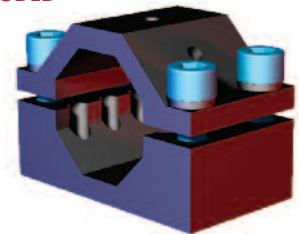
Specifications:

Max. Static Clamp Load:
475 N*m [350 ft-lb]

Material:
TPMS-45: Steel
TPM-45: Aluminum

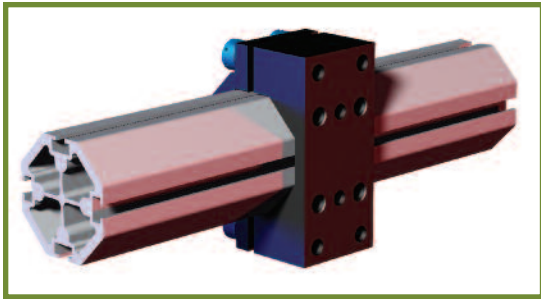


ALIGNMENT NUT INCLUDED



Model Number	Weight
TPM-45 (Aluminum)	.48 kg [1.28 lb]
TPMS-45 (Steel)	1.10 kg [2.90 lb]

BodyBuilder™ Accessory Brackets and Mounts
TPMS-60 60mm Accessory Mounting Bracket.

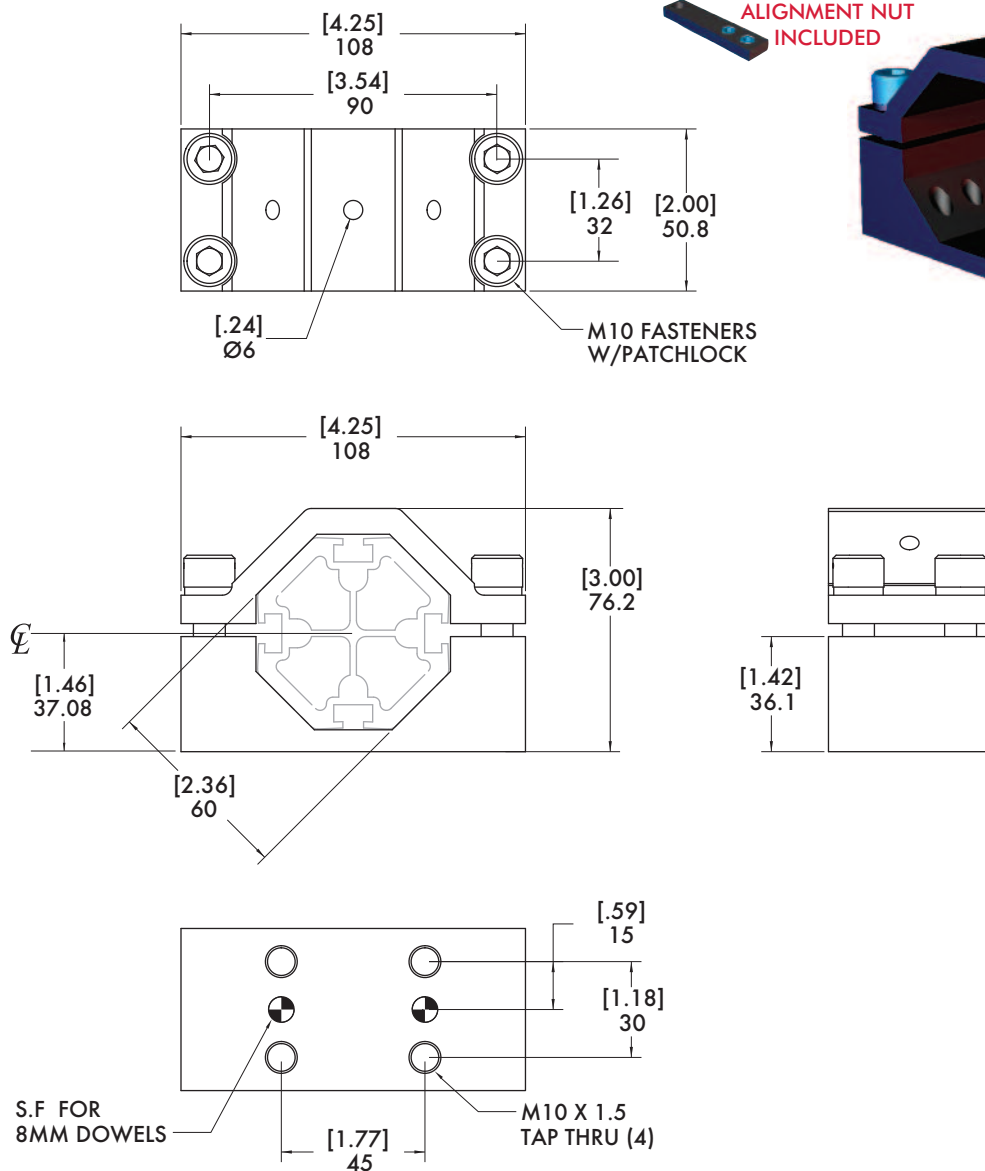


Specifications:

Max. Static Clamp Load:
 746 N*m [550 ft-lb]
 Material: Steel

Features:

- Provides a secure attachment point for clamps and pin locators.
- Standard NAAMS mounting patterns.



Model Number	Weight
TPMS-60	1.3 kg [2.90 lb]



BodyBuilder™ Accessory Brackets and Mounts

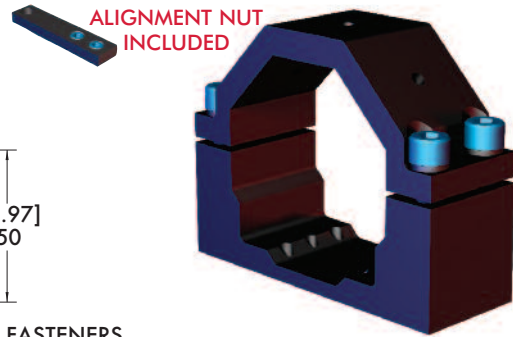
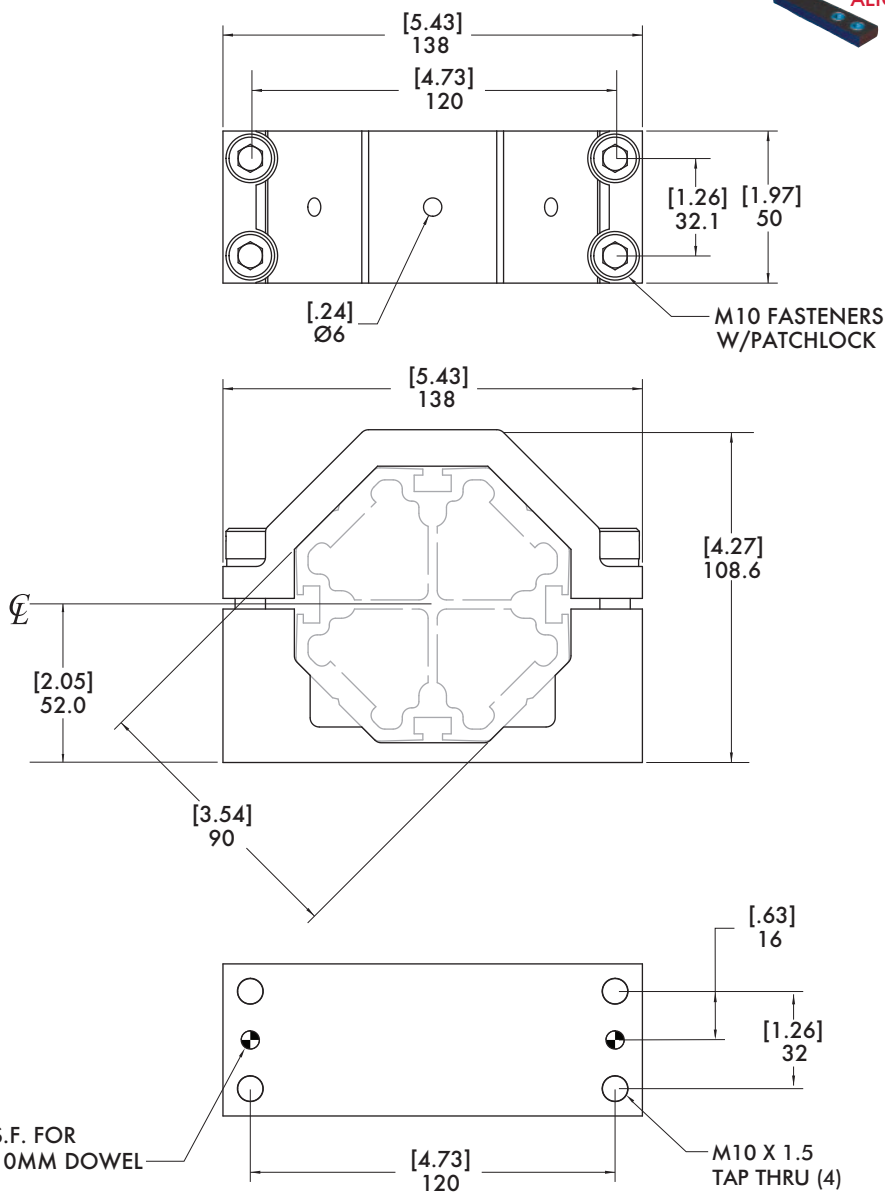
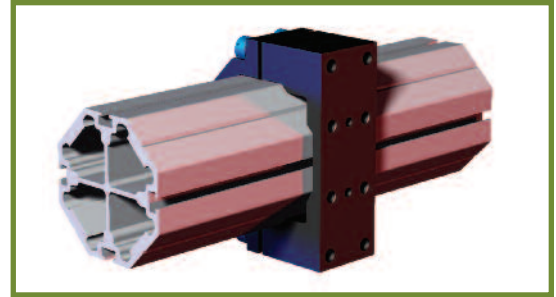
TPMS-90 90mm Accessory Mounting Bracket.

Features:

- Provides a secure attachment point for clamps and pin locators.

Specifications:

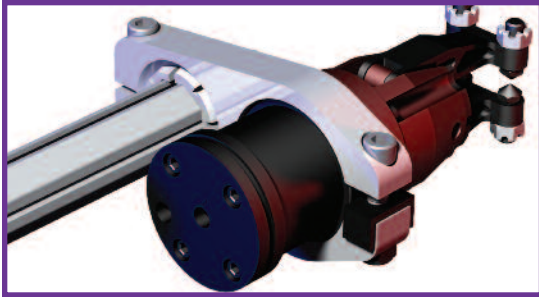
Max. Static Clamp Load:
746 N*m [550 ft-lb]
Material: Steel



Model Number	Weight
TPMS-90	1.93kg [4.25lb]

BodyBuilder™ Gripper Mounts

GPC-150-30BBS 30mm Swivel 150 Series Parallel Gripper Mount



Specifications:

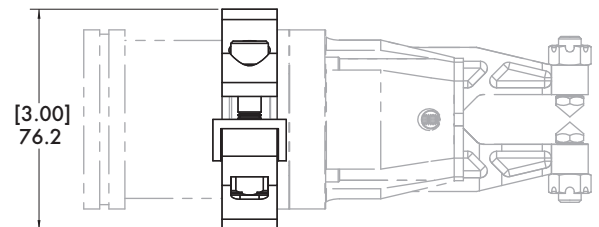
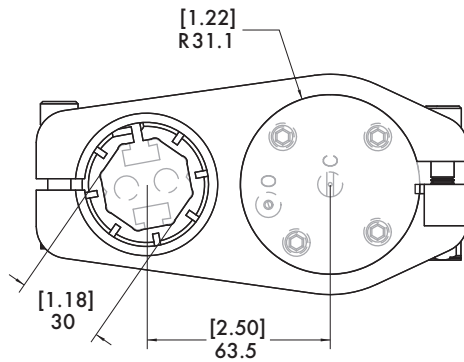
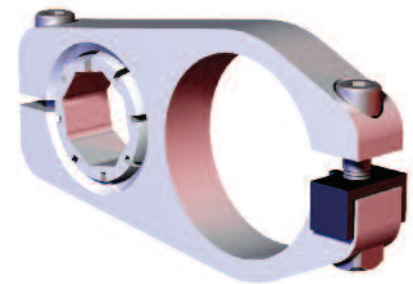
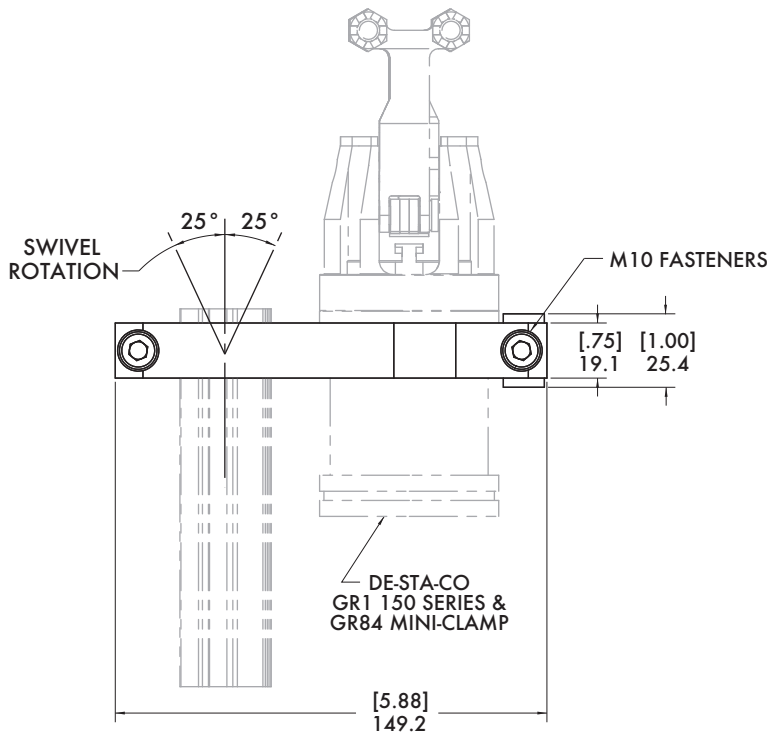
Max. Static Clamp Load:
271 N*m [200 ft-lb]

Material:

Body: Aluminum
Swivel Ball: Steel

Features:

- Removable grip mount lock allows gripper to be adjusted while continuing to holding it in place.
- Swivel ball allows for $\pm 25^\circ$ adjustment of swivel rotation.



Model Number	Weight
CPI-GPC-150-30BBS-DC	.33 kg [.73 lb]



BodyBuilder™ Gripper Mounts

RJM-150-30BBS 30mm End Gripper Mount for 150 Series Gripper

Features:

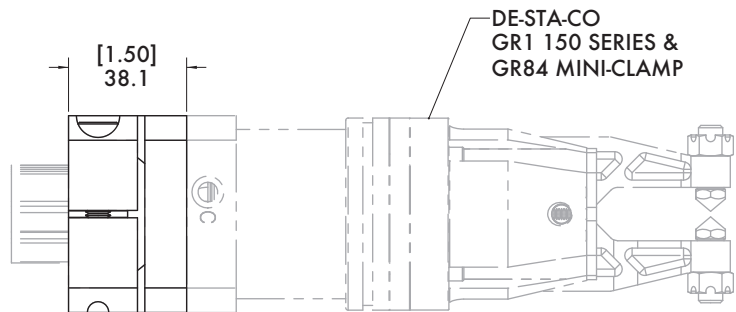
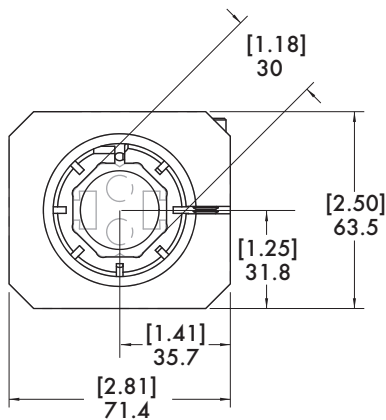
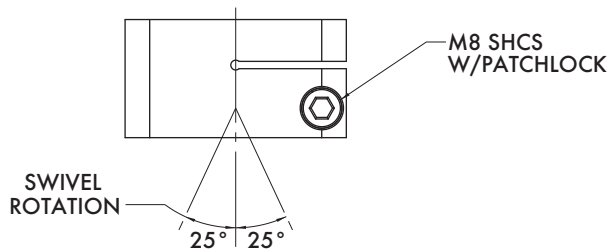
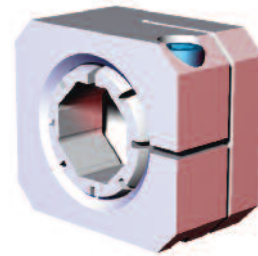
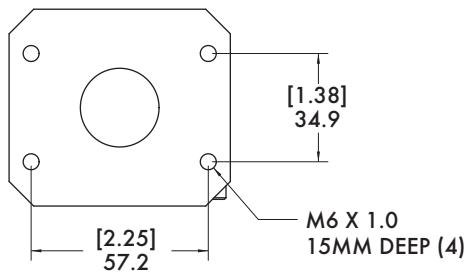
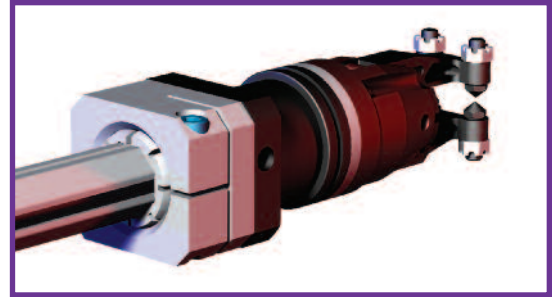
- Swivel ball allows for $\pm 25^\circ$ adjustment of swivel rotation.

Specifications:

Max. Static Clamp Load:
271 N*m [200 ft-lb]

Material:

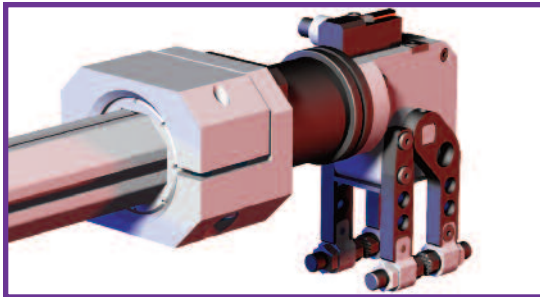
Housing:
Machined Aluminum
Swivel: Steel



Model Number	Weight
CPI-RJM-150-30BBS	.33 kg [.74 lb]

BodyBuilder™ Gripper Mounts

RJM-150-45BBS 45mm End Gripper Mount for 150 Series Gripper



Specifications:

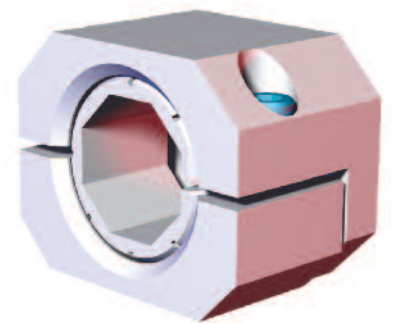
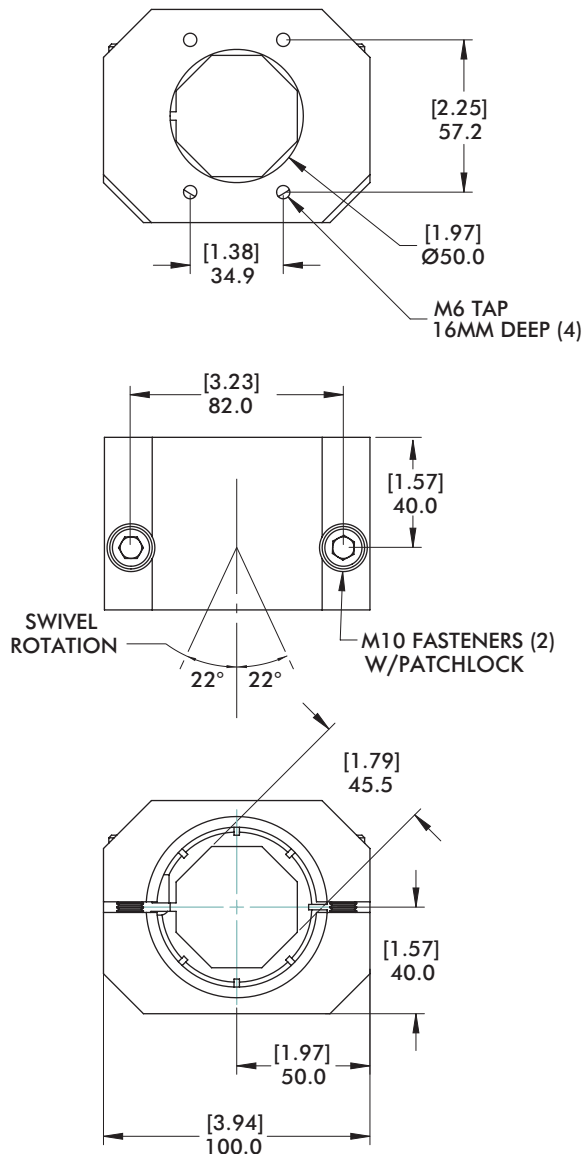
Max. Static Clamp Load:
475 N*m [350 ft-lb]

Material:

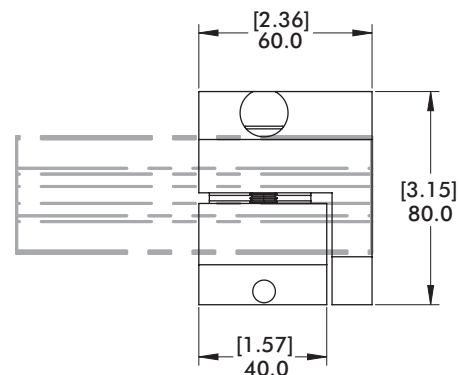
Housing:
Machined Aluminum
Swivel: Steel

Features:

- Swivel ball allows for $\pm 22^\circ$ adjustment of swivel rotation.



TO USE AS A FIXED MOUNT
INSERT BOOM COMPLETELY
UNTIL IT COMES INTO
CONTACT WITH GRIPPER
FOR SWIVEL OPTION INSERT
BOOM 40 MM [1.57 IN] OR
UNTIL BOOM IS INSERTED
ENOUGH TO ALLOW
ROTATION WITHOUT
OBSTRUCTION



Model Number	Weight
CPI-RJM-150-45BBS	1.23 kg [2.71 lb]

BodyBuilder™ Swivel Arms

30B50-MSA 30mm Swivel Arms for .50"(in) Apple Core Accessories

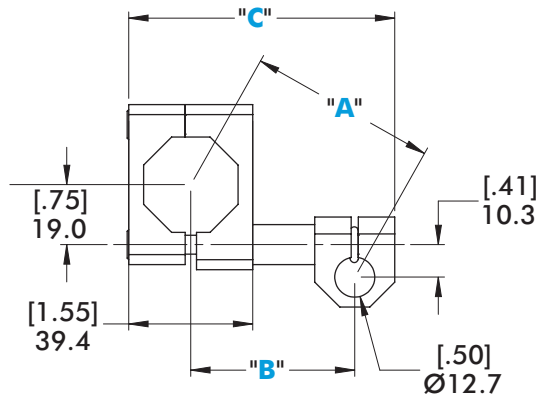
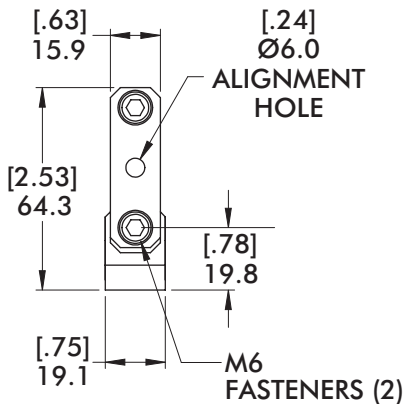
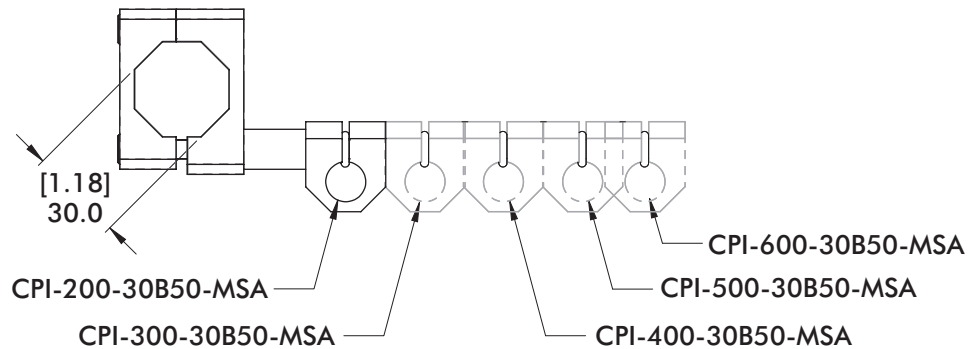
Features:

- Mounts to BodyBuilder™ 30mm extrusion boom.
- One bolt design for easy assembly and adjustment, allowing accessories to be repositioned easily.
- Provides 360° of adjustments in (3) axes.
- Used to mount venturi, bumpers, round locators, and proximity switches.

Specifications:

Max. Static Clamp Load:
102 N*m [75 ft-lb]

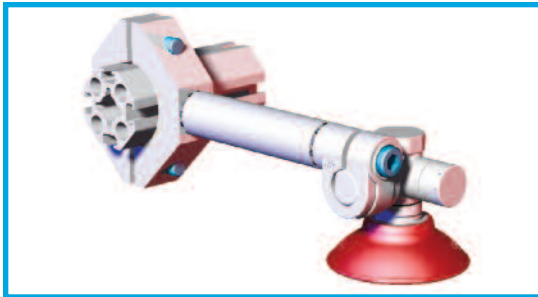
Material:
Body:
Cast Aluminum
Insert:
Machined Aluminum



CPI- L _30B50-MSA SWIVEL ARM				
"L"	"A"	"B"	"C"	WEIGHT
200	59.8 [2.35]	52.1 [2.05]	84.5 [3.33]	.10 kg [.22 lb]
300	82.6 [3.25]	77.2 [3.04]	109.6 [4.32]	.11 kg [.24 lb]
400	106.2 [4.18]	102.1 [4.02]	134.5 [5.30]	.12 kg [.26 lb]
500	130.6 [5.14]	127.3 [5.01]	159.7 [6.29]	.13 kg [.29 lb]
600	150.0 [5.90]	147.1 [5.79]	179.5 [7.07]	.14 kg [1.72 lb]

BodyBuilder™ Swivel Arms

45B-CSA 45mm Swivel Arms for Ø19mm [.75 in] Apple Core Accessories



Specifications:

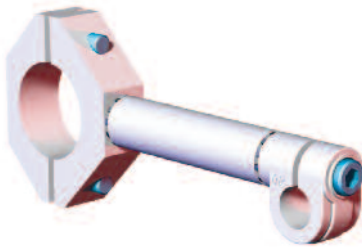
Max. Static Clamp Load:
271 N*m [200 ft-lb]

Material:

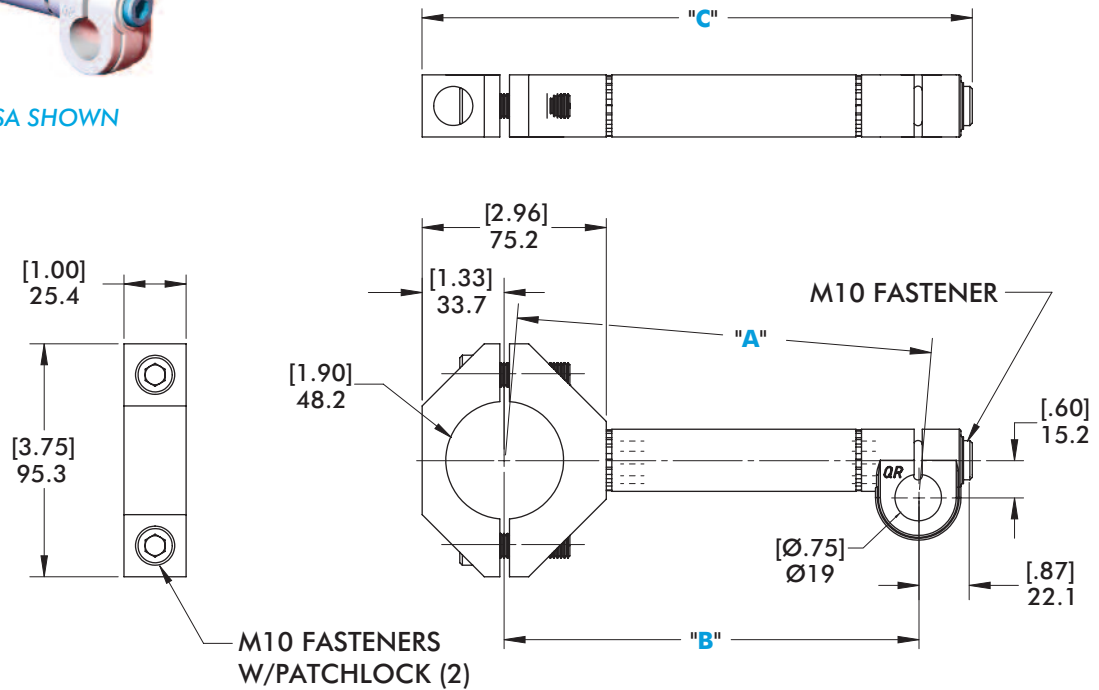
Body:
Cast Aluminum
Insert:
Machined Aluminum

Features:

- Mounts to BodyBuilder™ 45mm extrusion boom.
- One bolt design for easy assembly and adjustment, allowing accessories to be repositioned easily.
- Provides 360° of adjustments in (3) axes.
- Used to mount venturi, bumpers, round locators, and proximity switches.



CPI-180-45B-CSA SHOWN



CPI-" L "-45B-CSA SWIVEL ARM				
" L "	"A"	"B"	"C"	WEIGHT
130	119.8 [4.72]	118.8 [4.68]	140.9 [5.56]	.48 kg [1.06 lb]
180	169.8 [6.68]	169.1 [66.6]	224.9 [8.89]	.54 kg [1.20 lb]
230	219.7 [8.65]	219.1 [8.63]	275.0 [10.83]	.61 kg [1.34 lb]
280	269.6 [10.61]	269.2 [10.60]	325.0 [12.80]	.67 kg [1.47 lb]



BodyBuilder™ Swivel Arms

SA-30 30mm Swivel Arms for Ø19mm [.75 in] Apple Core Accessories

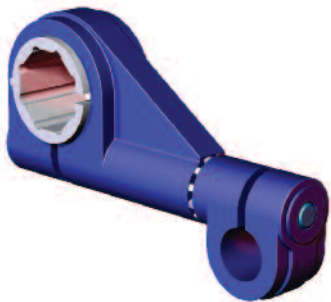
Features:

- Mounts to BodyBuilder™ 30mm extrusion boom.
- One bolt design for easy assembly and adjustment, allowing accessories to be repositioned easily.
- Provides 360° of adjustments in (3) axes.
- Used to mount venturi, bumpers, round locators, and proximity switches.

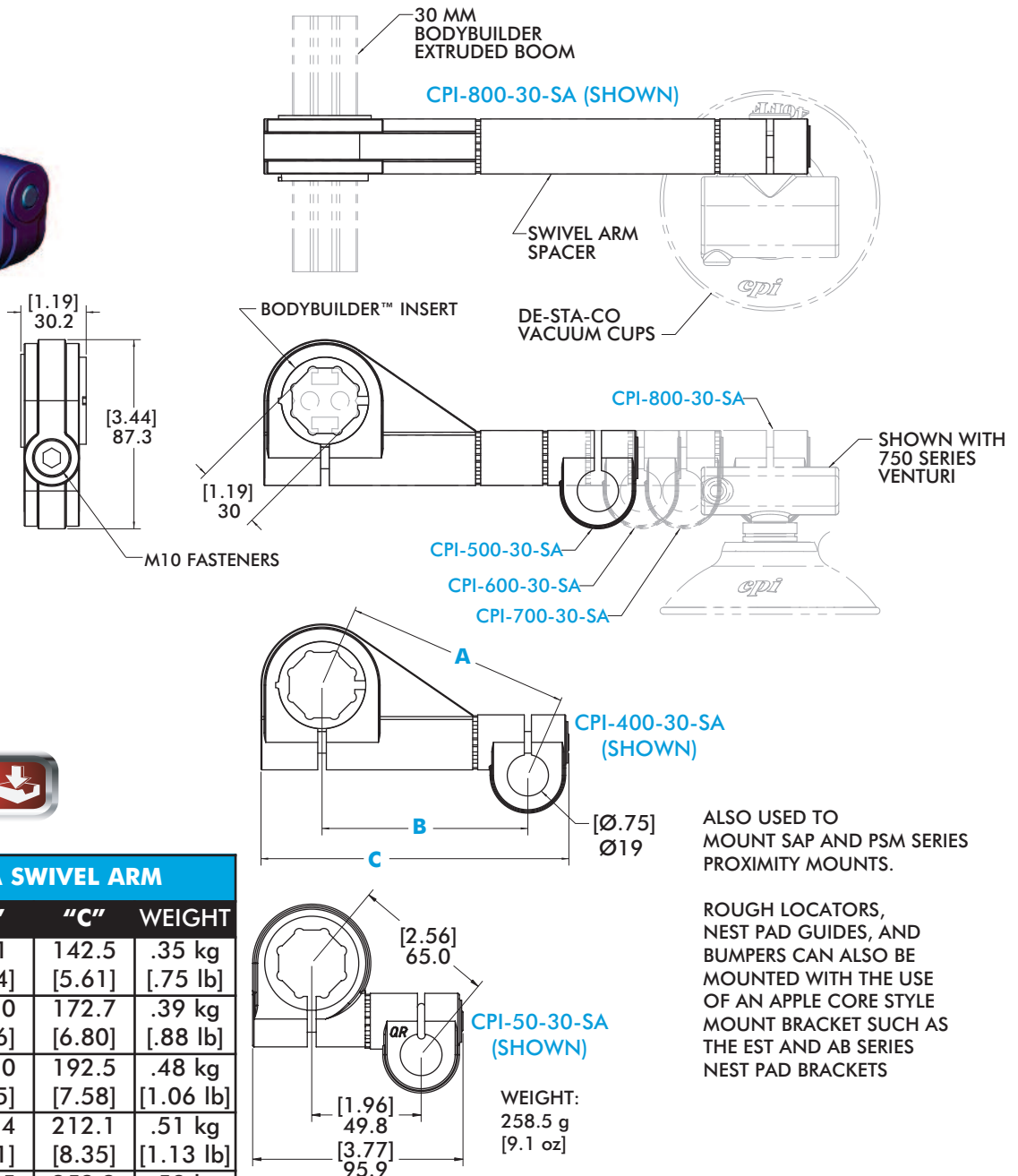
Specifications:

Max. Static Clamp Load:
271 N*m [200 ft-lb]

Material:
Body:
Cast Aluminum
Insert:
Machined Aluminum



CPI-400-30-SA SHOWN



CPI-" L "-30-SA SWIVEL ARM				
" L "	"A"	"B"	"C"	WEIGHT
400	103.8 [4.09]	95.1 [3.74]	142.5 [5.61]	.35 kg [.75 lb]
500	132.8 [5.26]	126.0 [4.96]	172.7 [6.80]	.39 kg [.88 lb]
600	151.7 [5.97]	146.0 [5.75]	192.5 [7.58]	.48 kg [1.06 lb]
700	170.6 [6.72]	165.4 [6.51]	212.1 [8.35]	.51 kg [1.13 lb]
800	209.7 [8.26]	205.5 [8.09]	252.2 [9.93]	.58 kg [1.25 lb]

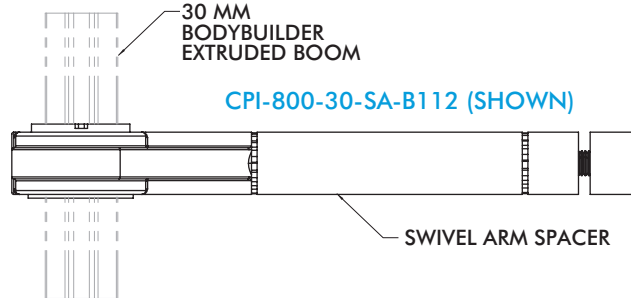
ALSO USED TO MOUNT SAP AND PSM SERIES PROXIMITY MOUNTS.

ROUGH LOCATORS, NEST PAD GUIDES, AND BUMPERS CAN ALSO BE MOUNTED WITH THE USE OF AN APPLE CORE STYLE MOUNT BRACKET SUCH AS THE EST AND AB SERIES NEST PAD BRACKETS

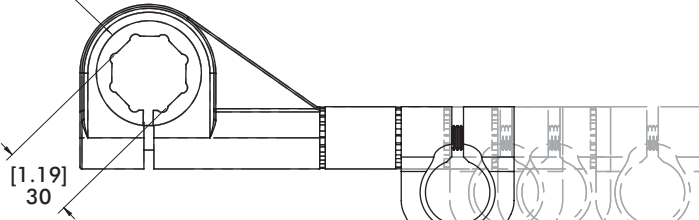
BodyBuilder™ Swivel Arms
30-SA-B112 30mm Swivel Arms for Swivel Ball Mount Accessories



CPI-500-30-SA-B112 (SHOWN)



BODYBUILDER™ INSERT

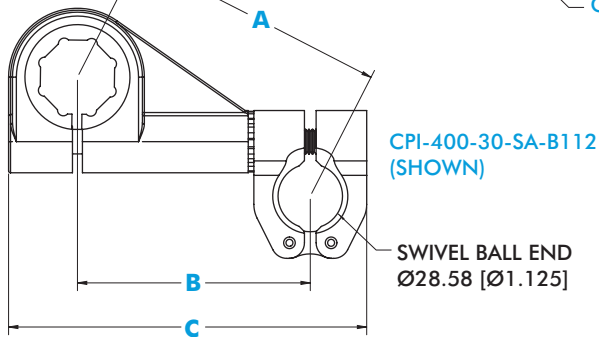
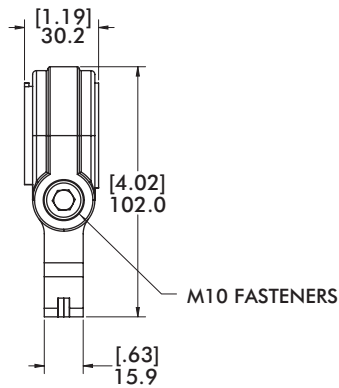


CPI-500-30-SA-B112

CPI-800-30-SA-B112

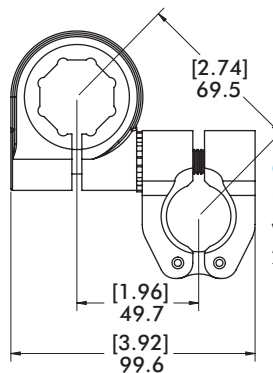
CPI-700-30-SA-B112

CPI-600-30-SA-B112



CPI-400-30-SA-B112 (SHOWN)

SWIVEL BALL END
 Ø28.58 [Ø1.125]



CPI-50-30-SA-B112 (SHOWN)

WEIGHT:
 280 g
 [9.9 oz]



CPI-" L "-30-SA-B112 SWIVEL ARM				
" L "	"A"	"B"	"C"	WEIGHT
400	106.7 [4.20]	95.0 [3.74]	146.1 [5.75]	.40 kg [.88 lb]
500	135.0 [5.32]	126.0 [4.96]	177.1 [6.97]	.46 kg [1.00 lb]
600	153.7 [6.05]	145.8 [5.74]	196.9 [7.75]	.49 kg [1.06 lb]
700	172.3 [6.78]	165.4 [6.51]	216.5 [8.52]	.53 kg [1.19 lb]
800	211.1 [8.31]	205.5 [8.09]	256.6 [10.10]	.60 kg [1.31 lb]



BodyBuilder™ Swivel Arm Accessories

BC19 30mm Bodybuilder to Ø19mm [.75 in] Apple Core Swivel End Mount

Features:

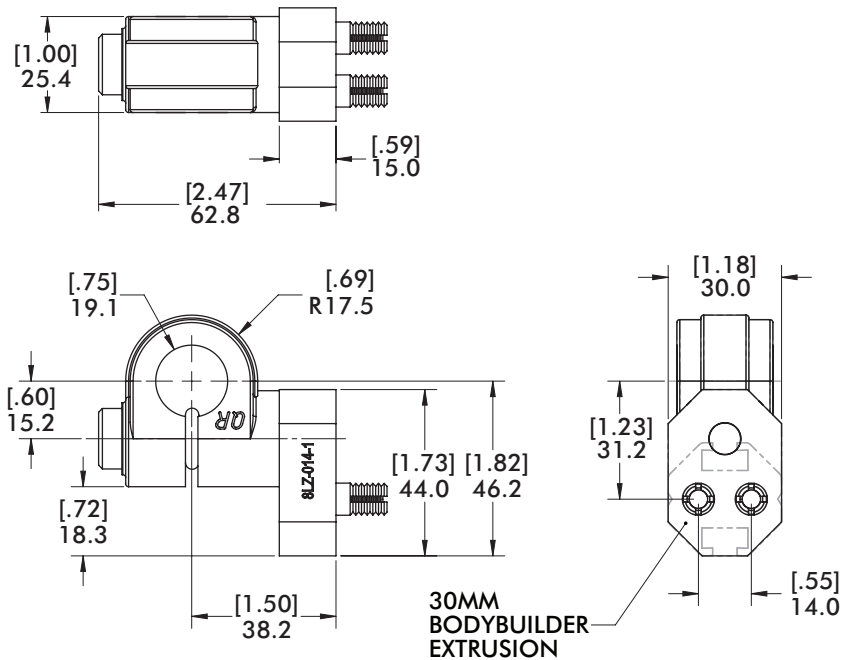
- Mounts to BodyBuilder™ 30mm extrusion boom.
- One bolt design for easy assembly and adjustment, allowing accessories to be repositioned easily.
- Provides 360° of adjustment along (2) axis.

Specifications:

Material:
Aluminum

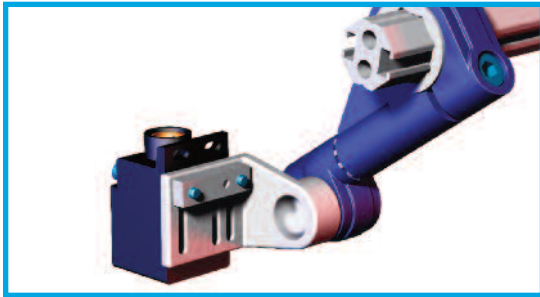


INCLUDES (2) INSERTS TO BE PRESS-FITTED INTO THE END OF 30MM BODYBUILDER™ OCTAGONAL BOOM



Model Number	Weight
BC-19	.13 kg [.28 lb]

BodyBuilder™ Swivel Arm Accessories
AB-750-SL Part Present Proximity Switch Mount



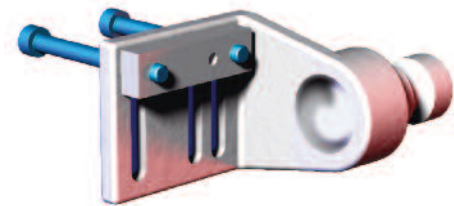
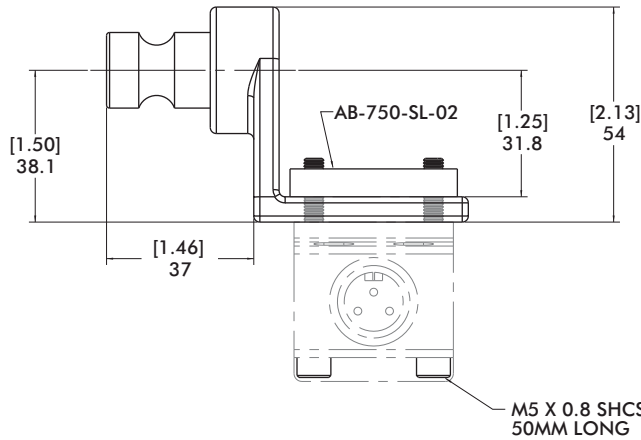
Specifications:

Max. Static Clamp Load:
 271 N*m [200 ft-lb]

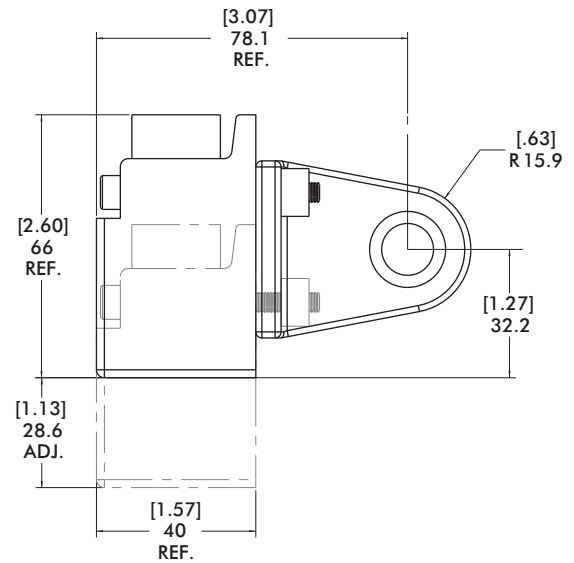
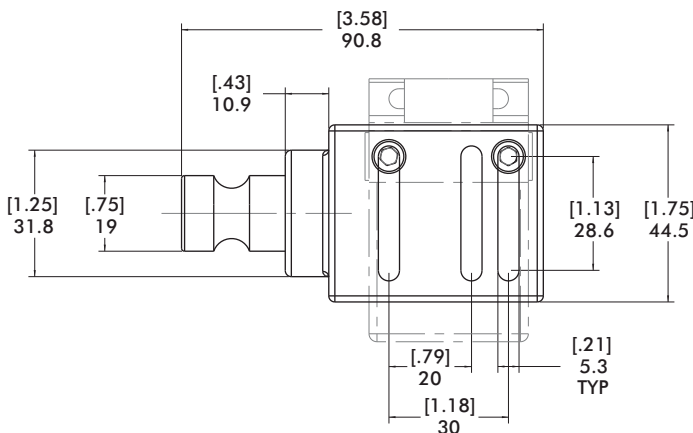
Material:
 Aluminum

Features:

- Mounts a 40mm square proximity sensor to the BodyBuilder™ 30mm Swivel Arm (CPI-“L”-30-SA).
- Mount allows for 360 degrees of radial adjustment along one axis.
- Slots allows 28.6mm [1.13 in] of linear adjustment for fine tuning during final setup.



FASTENERS AND NUT INCLUDED



Model Number	Weight
CPI-AB-750-SL	.10 KG [.22 lb]



BodyBuilder™ Swivel Arm Accessories

NPG-15RL-400 Rough Locator

Features:

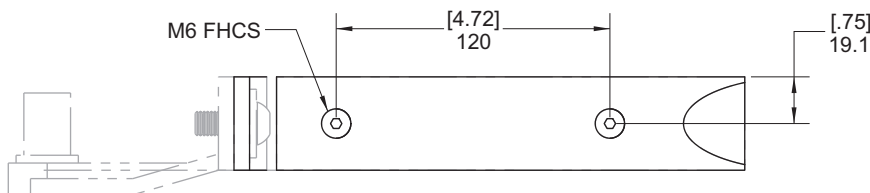
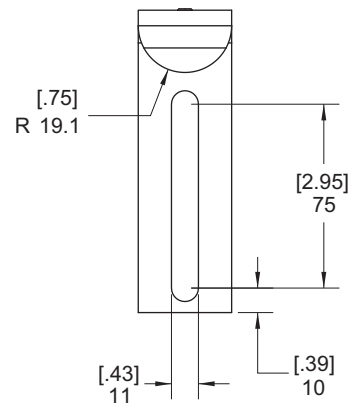
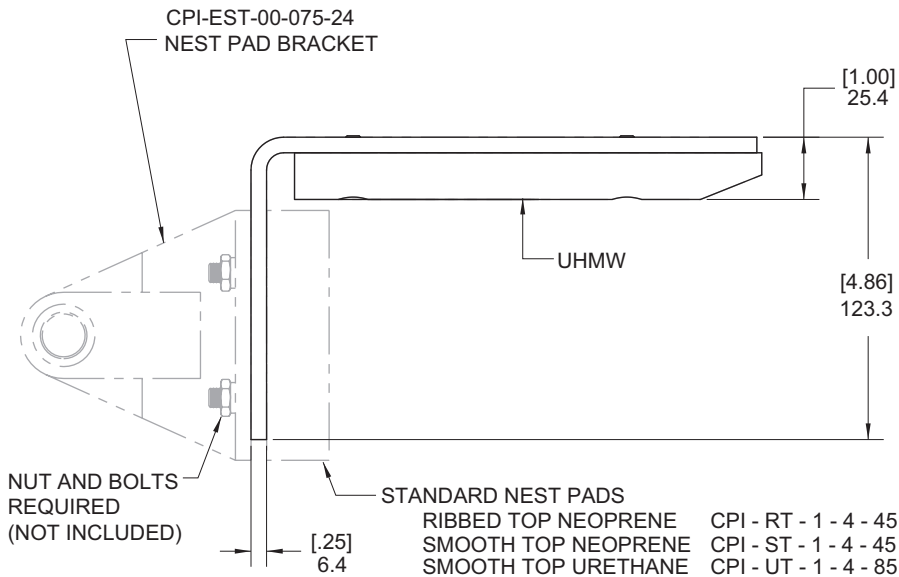
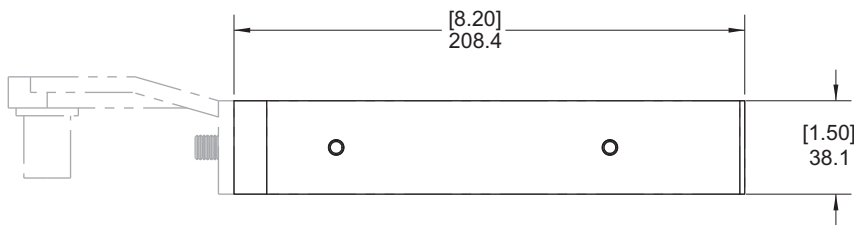
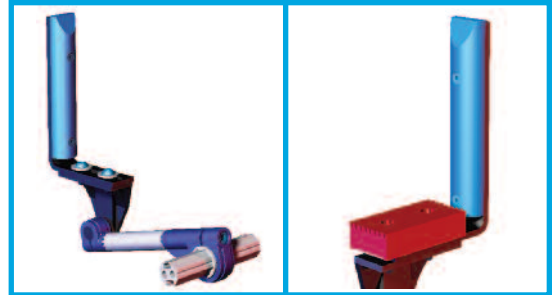
- Mounts to Nest Pad Brackets and indirectly to BodyBuilder™ 30mm Swivel Arm Mount.

Specifications:

Max. Static Clamp Load:
271 N*m [200 ft-lb]

Material:

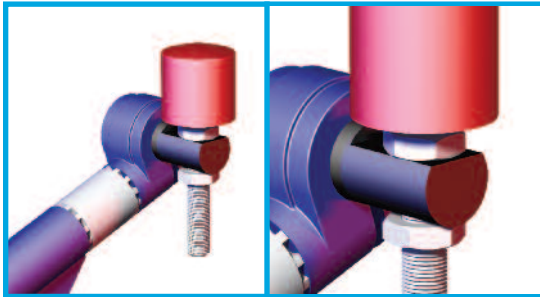
Bracket: Steel
Wear Surface: UHMW



Model Number	Weight
CPI-NPG-15RL-400	0.86 kg [1.90 lb]

BodyBuilder™ Swivel Arm Accessories

SAP-BM10 Ø19mm [.75 in] Apple Core Nest Bumper Mount



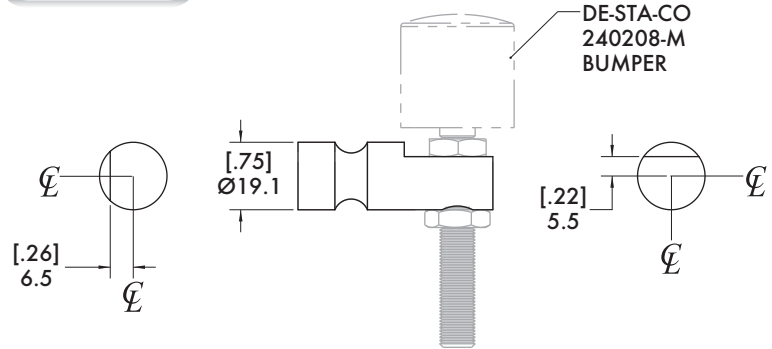
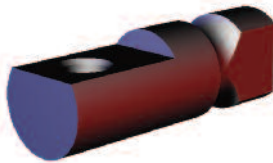
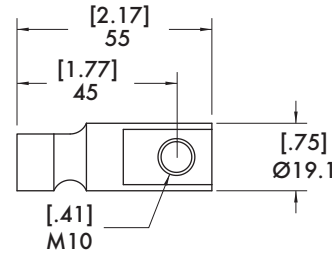
Specifications:

Max. Static Clamp Load:

271 N*m [200 ft-lb]

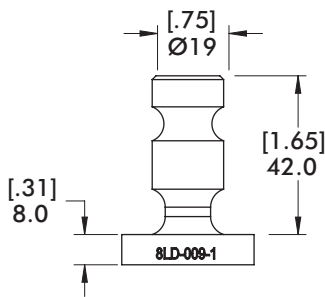
Material:

Steel

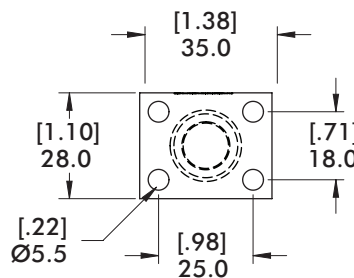


Model Number	Weight
CPI-SAP-BM10	.10 kg [.21 lb]

8LD Ø19mm [.75 in] Apple Core Mini-Clamp Mounts

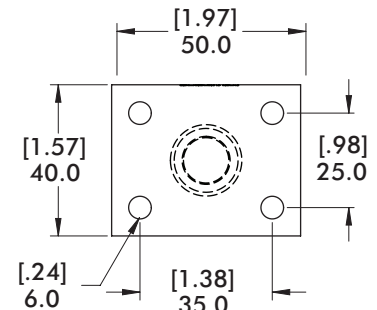


Apple Core and Base Thickness
Dimensions for all Models



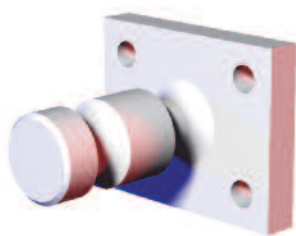
for DSC-82L25

Model Number	Weight
8LD-009-1	.10 kg [.21 lb]



for DSC-82L40

Model Number	Weight
8LD-010-1	.10 kg [.21 lb]



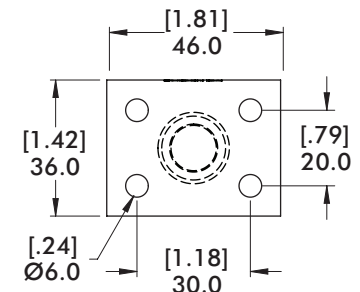
8LD-010-1 (Shown)

Specifications:

Max. Static Clamp Load:

41 N*m [30 ft-lb]

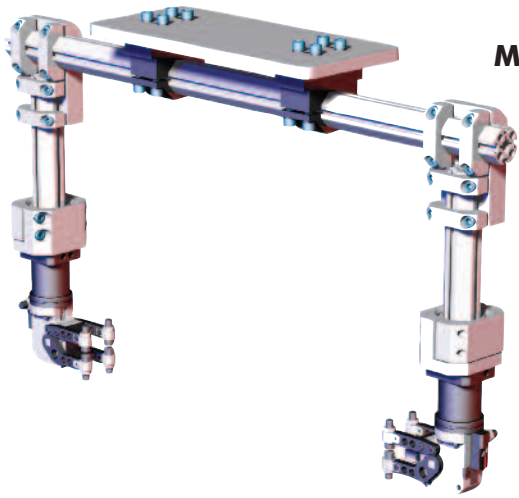
Material: Aluminum



for DSC-82L32

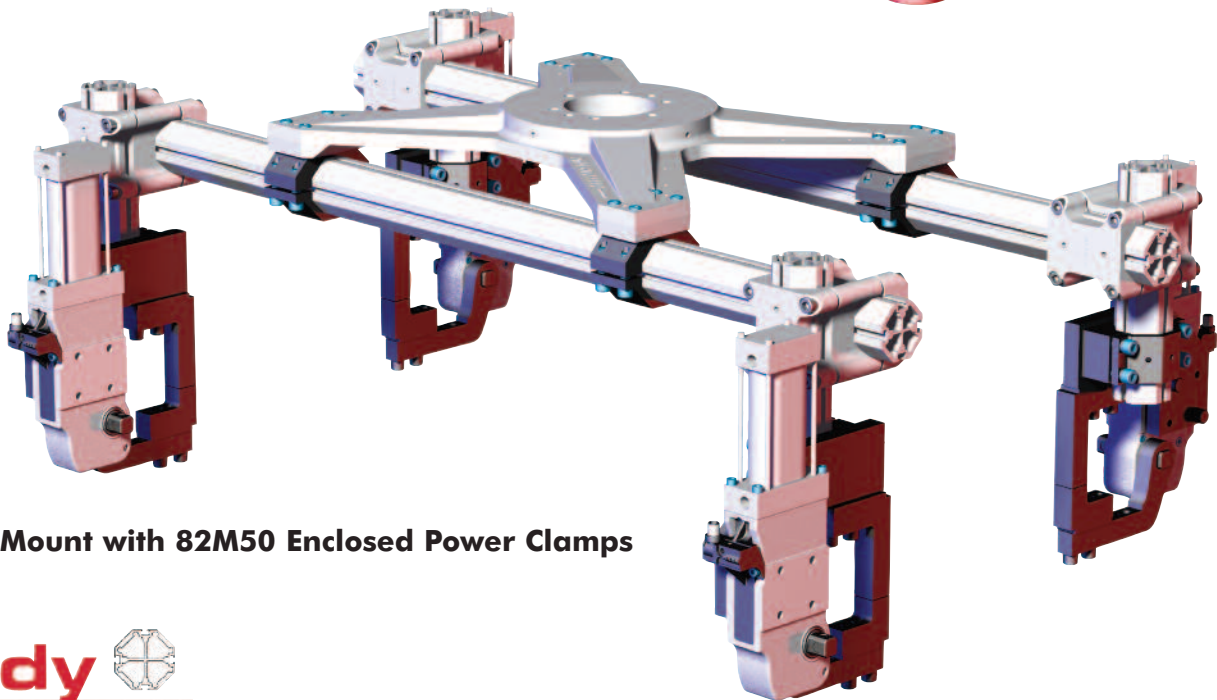
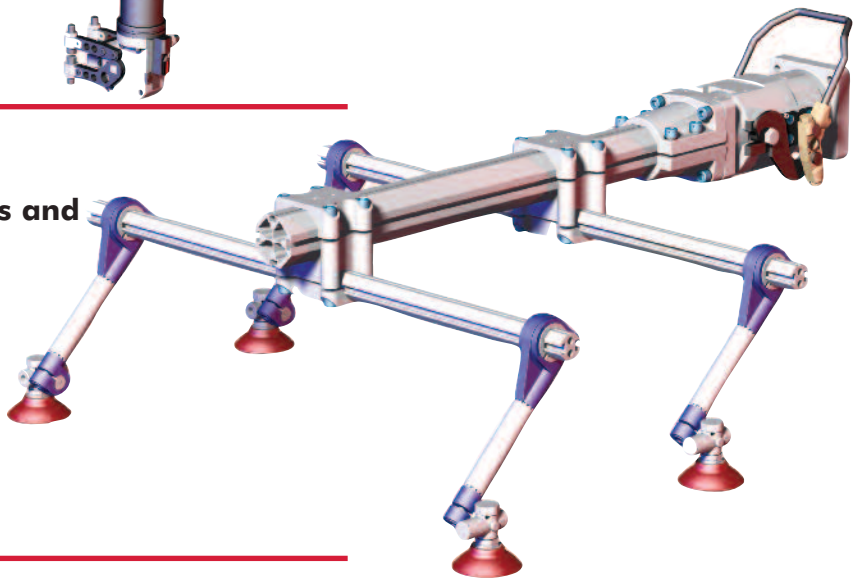
Model Number	Weight
8LD-012-1	.10 kg [.21 lb]

BodyBuilder™ Tooling Sample Assembly
Typical Application Build Examples



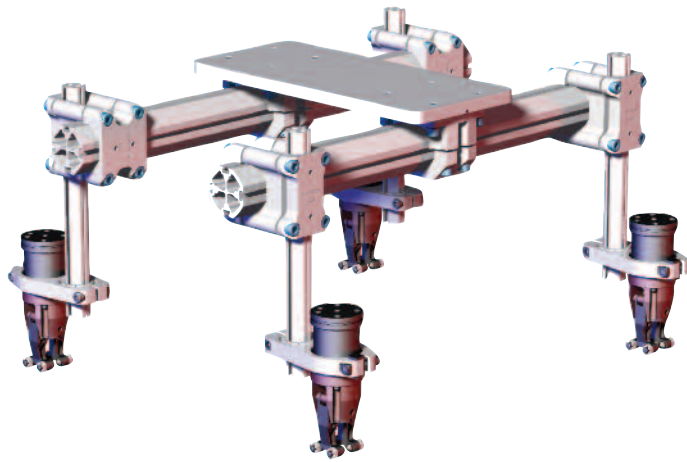
Mid Mount with GR84 Series Mini-Clamps

End Mount with Venturi Cup Mounts and Vacuum Cups



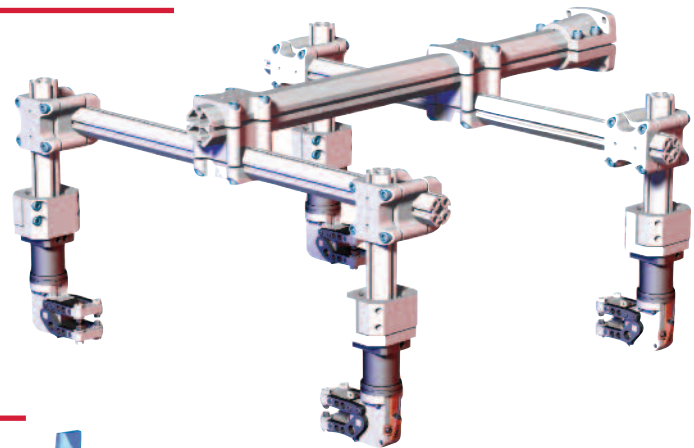
Mid Mount with 82M50 Enclosed Power Clamps

BodyBuilder™ Tooling Sample Assembly
Typical Application Build Examples

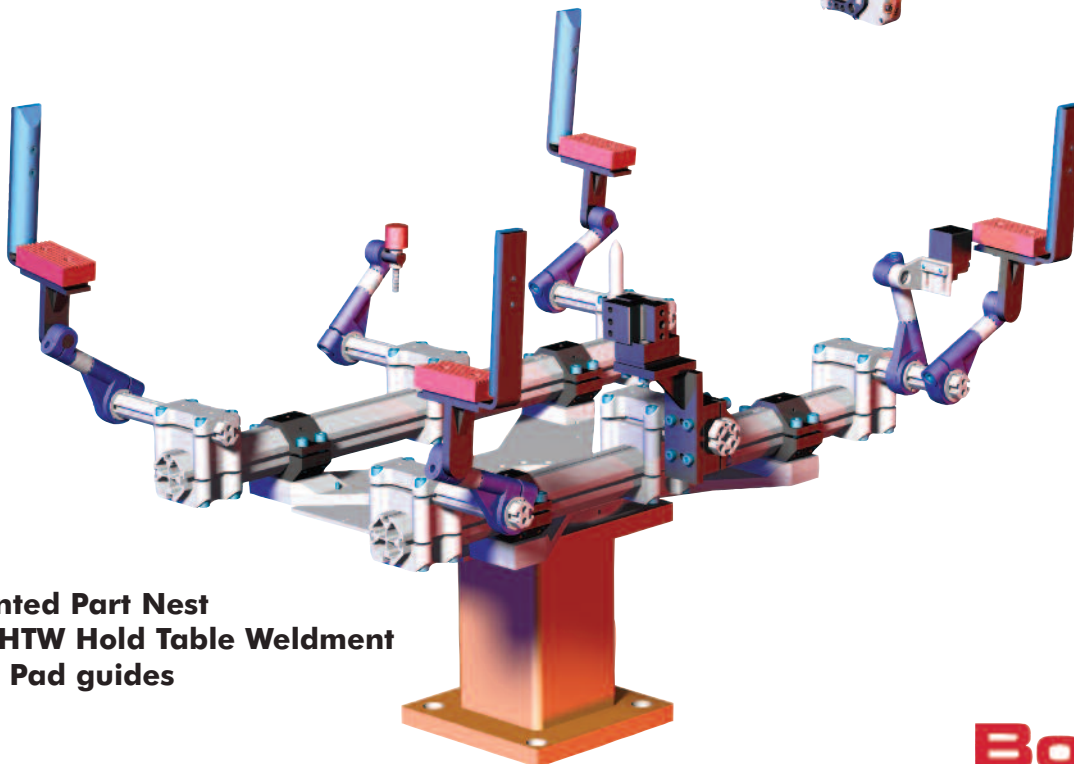


Mid Mount with GR1 Series Gripper

End Mount with GR84 Series Mini Clamp



Mid Mounted Part Nest
with CPI-HTW Hold Table Weldment
and Nest Pad guides



BodyBuilder™ Tooling Application Examples

Customer Application Examples

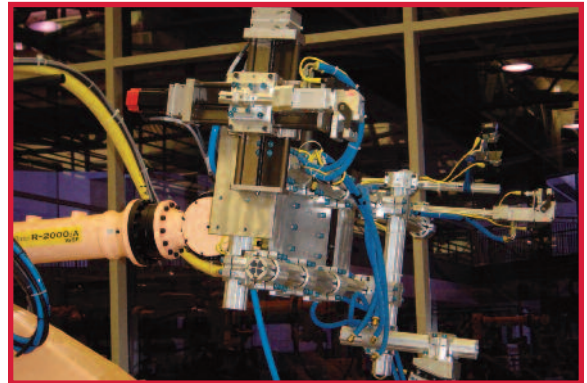
Our Customers

Our major customer base is a diverse mix of applications and industries, including applications in automotive, machine tool, general industrial, plastics, and electronics.

Many of our customers have locations around the world, requiring similar solutions and consistent program support. DE-STA-CO is competitively positioned to provide this support through our global support strategy, which include offering services in design, engineering, training, team building, and education in application solutions throughout the world.

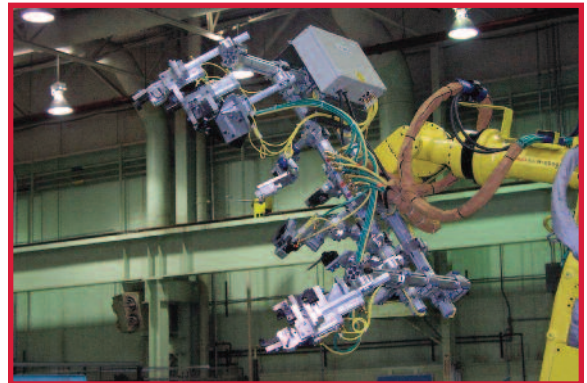
Bodyside

Two Model Servo Select



Dash

Three Model Pneumatic Select



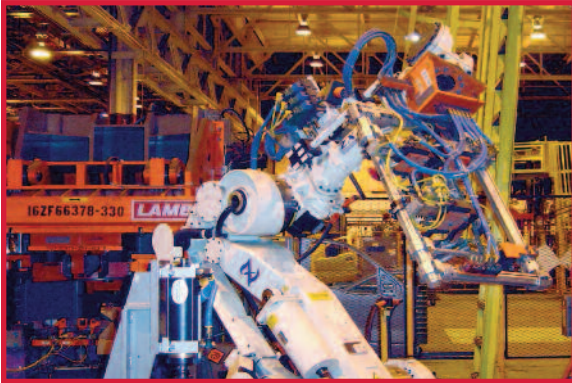
Pick-up Bed and Cross Member

Three Model - Multiple Parts

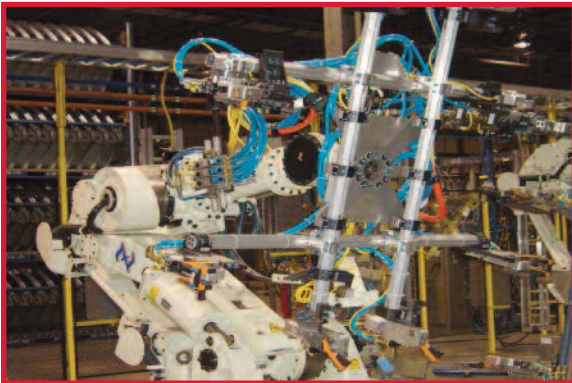


BodyBuilder™ Tooling Application Examples

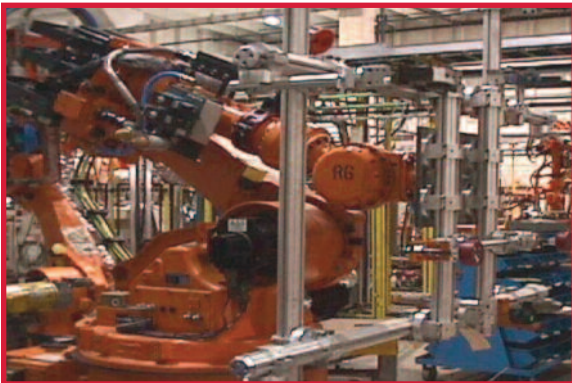
Customer Application Examples



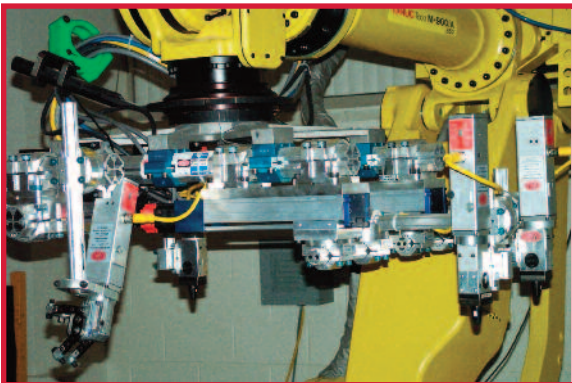
Door Assembly
Hem Press Load/Unload



Underbody
Pedestal Weld



Underbody
Mechanical Handling



Door Assembly
All Electric Programmable

DE-STA-CO offers Complete End Effector System Solutions

DE-STA-CO Products commonly used with BodyBuilder™

Pneumatic Modular Grippers

GR1 Modular Gripper

- Can be flange or cylinder mounted.
- Offered with several different jaw opening and point options.
- Toggle-Locking Mechanism holds the part if air pressure is lost.

GR84 Enclosed Modular Mini Clamp

- Also offers several different jaw and tip options.
- Can also be flange or cylinder mounted.
- Locking Mechanism holds the part if air pressure is lost and is protected from contaminants.



Pneumatic Enclosed Power Clamps

82M Series Clamps

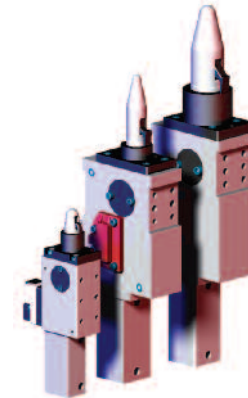
- Offered in two sizes, 50mm and 63mm.
- Angle of arm opening can be adjusted in the field in 15° increments.
- Lightweight - highest weight to power ratio.
- Optional integrated open/closed sensing package will accommodate all major switches.
- Built-in flow controls.
- NAAMS style arms and mounting.
- Sealed roller bearing.
- Toggle-locking mechanism holds the part if air pressure is lost
- Protected from contaminants.



Pneumatic Locating Pin Clamps

82P Series Pin Clamps

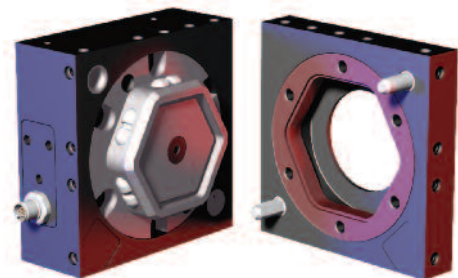
- Optional "Weld-Slag Resistant" offers protection from contamination entering the unit
- Standard rest blocks heights of 25 and 50mm, with others block heights available.
- Hardened and ground precision tool steel locating pin
- Enclosed aluminum body houses a full toggling mechanism that secures the part in place even when air is removed from the tool.
- Protected from contaminants.



Modular Tool Changer

Quick Change 1200 Series

- End effector tooling can be changed quickly and easily to accommodate many different styles of parts on the same robot.



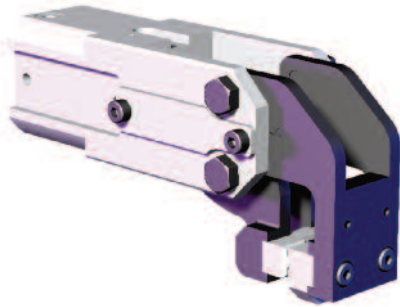
DE-STA-CO offers Complete End Effector System Solutions

DE-STA-CO Products commonly used with BodyBuilder™

Pneumatic Modular CAM Grippers

84A2 and 84A3 Modular CAM Gripper

- Two sensing systems are provided along with interchangeable gripper teeth and pads.
- High speed material movement in restricted spaces.
- High clamping force and fast opening and closing action.
- Roller and cam principal, self-locking at end stop position.
- Multiple mounting and jaw opening options.
- Small size, low weight.



Vacuum Cup Mounts and Adapters

CPI-500 and 750 Series Port Only Adapters

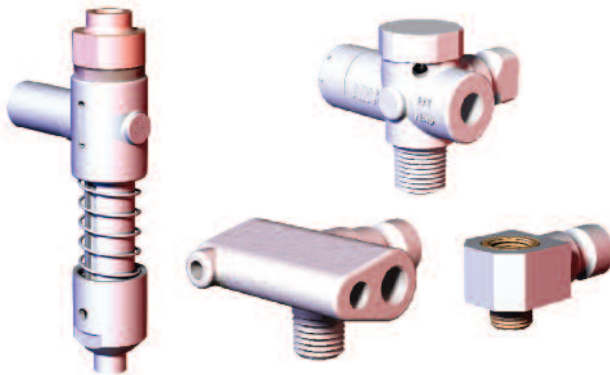
- Provides an option for integrating swivel arms and vacuum cups with a remote vacuum source.

CPI-ARV AND VSA Series Venturi Adapters

- Generates vacuum at the cup level.
- Integrated automatic quick panel release (ARV).
- Available with blow-off and low-profile.

CPI-SCM Series Spring Loaded Cup Mounts

- Available in different porting and travel options.
- Works with CPI-750 Series Venturi Adapters.



Pneumatic Actuated Magnets

CPI-TLP Series Magnets

- Provides instantaneous pick up and release without electricity, maintaining positive hold even when air pressure is lost.
- Supplied with urethane pad which softens the impact of the magnet and avoids damage to delicate surfaces.



Vacuum Cups

Flatfoot Vacuum Cups

- Maximizes lifting capacity and minimizes slip.

Belcup Vacuum Cups

- Picks up material that vary slightly in position.

Traction Vacuum Cups

- For applications with wet or oily surfaces or for destackers.

Deepdish Vacuum Cups

- Works best on materials with convex surfaces.





A DOVER COMPANY

PRECISELY POSITIONING OUR CUSTOMERS FOR PRODUCTIVITY.

Workholding

- Widest variety of workholding products
- High durability and reliability
- Flexible solutions for all applications
- Custom products for unique requirements

Automation

- Broad range of engineered automation products
- Complementary products for modular integration
- Unmatched accuracy, reliability and performance
- Unparalleled global sales, service and engineering support

DE-STA-CO GLOBAL LOCATIONS

NORTH AMERICA

DE-STA-CO Headquarters
 Auburn Hills, Michigan
 Tel: 1.248.836.6700
 Marketing: marketing@destaco.com

Auburn Hills, Michigan
 Tel: 1.888.DESTACO
 Customer Service: cs-workholding@destaco.com

Wheeling, Illinois
 Tel: 1.800.645.5207
 Customer Service: camco@destaco.com

Monroe, Connecticut
 Tel: 1.888.DESTACO
 Customer Service: cs-automation@destaco.com

Charlevoix, Michigan
 Tel: 1.888.DESTACO
 Customer Service: cs-automotive@destaco.com

SOUTH AMERICA

Brazil
 Tel: 0800-124070
 Customer Service: samerica@destaco.com

ASIA

Thailand
 Tel: +66-2-326-0812
 Customer Service: info@destaco.com

China
 Tel: +86-21-6081-2888
 Customer Service: china@destaco.com

India
 Tel: +91-80-41123421-426
 Customer Service: india@destaco.com

EUROPE

Germany
 Tel: +49-6171-705-0
 Customer Service: europe@destaco.com

France
 Tel: +33-1-3996-5000
 Customer Service: france@destaco.com

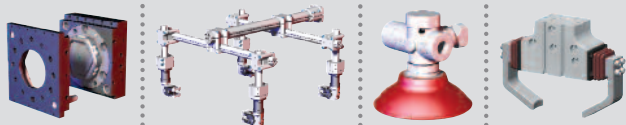
UK
 Tel: +44-1902-797980
 Customer Service: uk@destaco.com

Spain
 Tel: +34-936361680
 Customer Service: spain@destaco.com

Netherlands
 Tel: +31-297285332
 Customer Service: benelux@destaco.com



A DOVER COMPANY



Precisely positioning our customers for productivity.

© Copyright, 2009 DE-STA-CO.

All rights with regards to logos, layout, photos and text, including all artwork, rest with DE-STA-CO.

All photomechanical or other reproductions can only be made with our expressed permission.

1025 Doris Road
 Auburn Hills, MI 48170
 Fax: (248) 836-6750
 Technical Support E-mail:
tech-automotive@destaco.com
www.destaco.com