

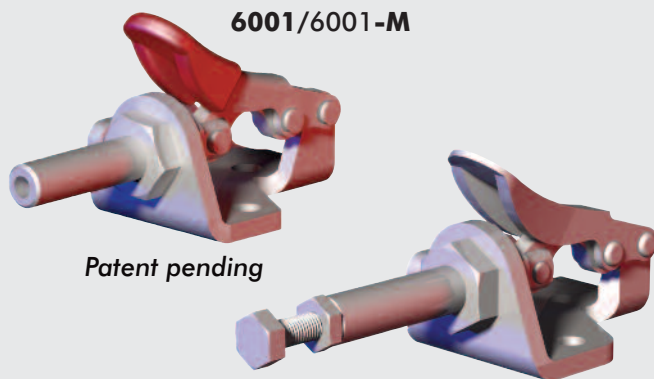
CLAMPING INNOVATION

Manual Clamping and Workholding Solutions

Introducing the newest additions to the family of Straight-Line Action Clamps

Building on the popularity of our smallest Straight-Line Action Clamps, we're expanding the product line to include versions with imperial threaded plungers.

6001 Straight-line Action Clamps



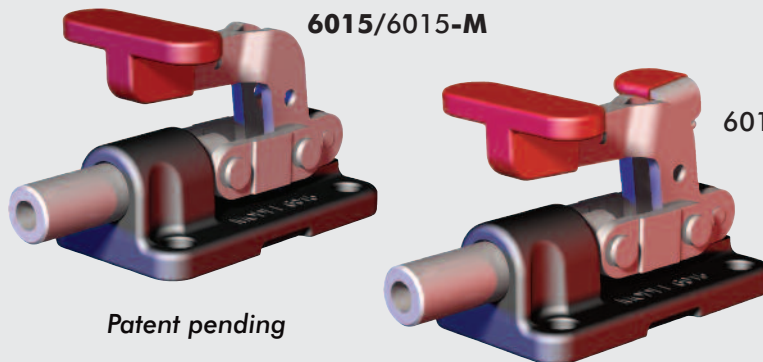
6001-SS/6001-MSS

Now available with Metric M4 and Imperial #8-32 UNC threaded plungers

Available in Stainless Steel (6001-SS)

50% higher holding capacity over our Model 601

6015 Straight-line Action Clamps



6015-R/6015-MR

6015-SS/6015-MSS

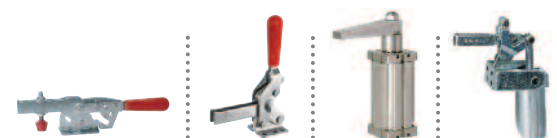
Now available with Metric M6 and imperial 1/4-20 UNC threaded plungers

Available in Stainless Steel (6015-SS)

DE-STA-CO® Toggle Lock Plus version available (6015-R)



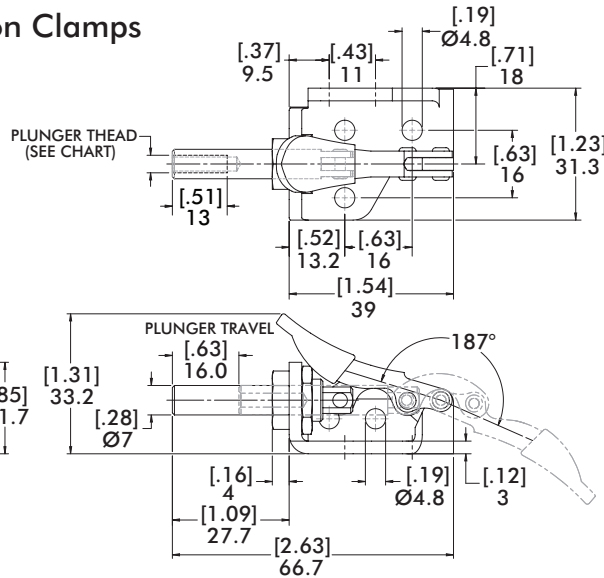
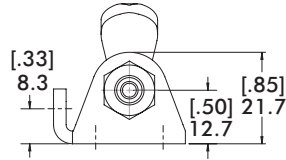
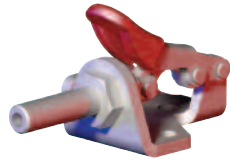
A DOVER COMPANY



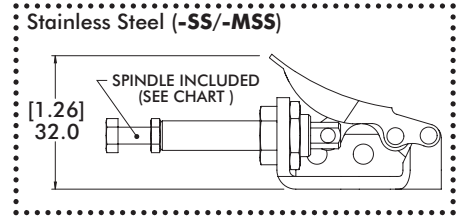
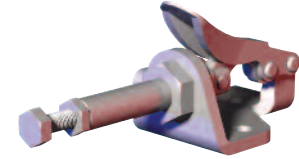
6000 Series Straight-Line Action Clamps

6001 Straight-line Action Clamps

6001/6001-M



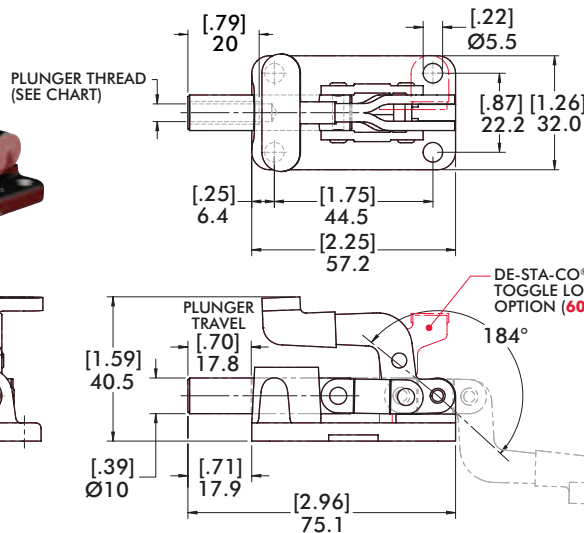
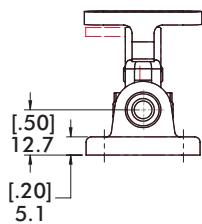
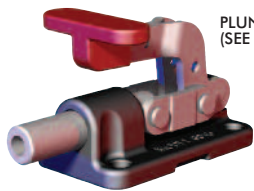
6001-SS/6001-MSS



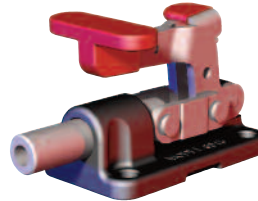
MODEL	HOLDING CAP.	UNIT WEIGHT	MAX. MECH ADV (Pushing/Pulling)	PLUNGER TRAVEL	PLUNGER THREAD	SPINDLE (Recommended)	SPINDLE (Included)
NEW 6001	[150 lbf]	[0.12 lb]	14:1/25:1	[0.63] 16.0	#8-32 UNC	205943	No
6001-M	0.68kN	0.5kg			M4	205208-M	
NEW 6001-SS	[150 lbf]	[0.12 lb]	14:1/25:1	[0.63] 16.0	#8-32 UNC	102908	Yes
6001-MSS	0.68kN	0.5kg			M4	102908-M	

6015 Straight-line Action Clamps

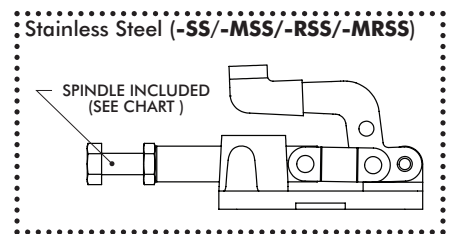
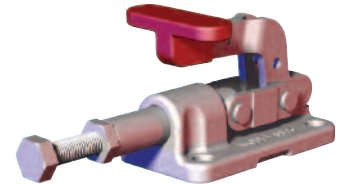
6015/6015-M



6015-R/6015-MR



6015-SS/6015-MSS



MODEL	HOLDING CAP.	UNIT WEIGHT	MAX. MECH ADV (Pushing)	PLUNGER TRAVEL	PLUNGER THREAD	SPINDLE (Recommended)	SPINDLE (Included)
NEW 6015	[560 lbf] 2.49kN	[0.34 lb] .15kg	35.1	[0.70] 17.8	1/4-20	205203	No
6015-M					M6	205203-M	
NEW 6015-R					1/4-20	205203	
6015-MR					M6	205203-M	
NEW 6015-SS	[630 lbf] 2.28kN	[0.34 lb] .15kg	35.1	[0.70] 17.8	1/4-20	202916	Yes
6015-MSS					M6	202916-M	
NEW 6015-RSS					1/4-20	202916	
6015-MRSS					M6	202916-M	