

NEW

Model 3011



page **6.5**

NEW

Parting Line Clamps:
Models 353-35, 353-65



page **6.19**

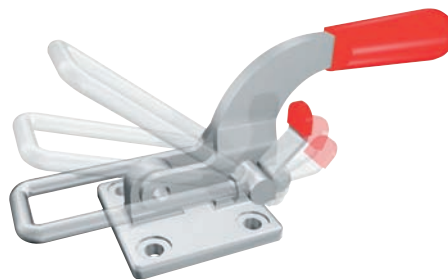
Product group – pull action latch clamps

Application areas

Quick closure of covers and flaps on rotating or stationary containers, drums, boxes and molds. The latch clamp is distinguished by its compact design and with high holding capacity. The latch hooks can be adjusted on all models.

The essential product features

- **New:** convenient, patented one-hand operation made possible by means of a thumb control lever
- Compact design
- High holding capacities

















Model 331 used to lock down the lid of a container



| | Model no. | Holding Capacity max. [lbs.] | Category | Page | | Model no. | Holding Capacity max. [lbs.] | Category | Page |
|--|-----------|------------------------------|-----------------|------|-------|-----------|------------------------------|-----------------------------|------|
| | 301 | 375 | Standard eyelet | 6.4 | | 323 | 360 | Standard horizontal | 6.6 |
| | 311 | 1,200 | Standard eyelet | | | 331 | 700 | Standard horizontal | |
| | | | | | 341 | 2,000 | Standard horizontal | | |
| | 3011 | 2,000 | | 6.5 | | 331-R | 700 | DE-STA-CO® Toggle Lock Plus | 6.8 |
| | | | | | 341-R | 2,000 | DE-STA-CO® Toggle Lock Plus | | |

Product group – pull action latch clamps

Latch Clamps

| | Model no. | Holding Capacity max. [lbs.] | Category | Page | | Model no. | Holding Capacity max. [lbs.] | Category | Page |
|---|-------------------|------------------------------|--|------|---|--------------------------|------------------------------|--|------|
|  | 375 | 4,000 | Standard horizontal | 6..9 |  | 324 334 344 | 500 1,000 2,000 | Standard vertical Standard vertical Standard vertical | 6.16 |
|  | 375-B | 4,000 | Standard horizontal | 6.10 |  | 374 | 4,000 | | 6.18 |
|  | 375-R | 4,000 | DE-STA-CO® Toggle Lock Plus | 6.11 |  | 353-35 353-65 | 2,800 2,100 | | 6.19 |
|  | 375-BR | 4,000 | DE-STA-CO® Toggle Lock Plus | 6.12 |  | 330 351 371 381 | 200 375 750 1,000 | Standard hook Standard hook Standard hook Standard hook | 6.20 |
|  | 385 | 7,500 | Standard horizontal | 6.13 |  | 351-B | 375 | Standard horizontal | 6.22 |
|  | 385-L | 7,500 | | 6.13 |  | 351-R 371-R | 375 750 | DE-STA-CO® Toggle Lock Plus DE-STA-CO® Toggle Lock Plus | 6.23 |
|  | 385-R | 7,500 | DE-STA-CO® Toggle Lock Plus | 6.14 | | | | | |
|  | 326 336 346 | 8 12 25 | Rubber latch Rubber latch Rubber latch | 6.15 | | | | | |

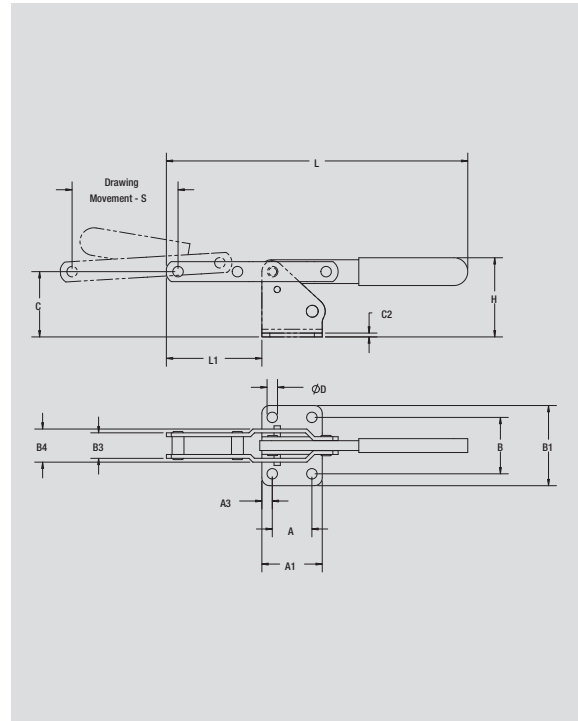
Pull action latch clamps – horizontal

These latch-type pull action clamps are equipped with red vinyl handle for comfortable operation. A fixed stop automatically limits handle travel at various clamping positions once the clamp is installed, removing the need to adjust a manual stop. Model 301 has 4" drawing movement and the larger Model 311 has 3 3/8".

Models 301, 311

| Model no. | Holding Capacity | |
|-----------|------------------|--------|
| | [lbs.] | [lbs.] |
| 301 | 375 | .70 |
| 311 | 1,200 | 1.16 |

ALSO AVAILABLE
 In Stainless Steel Model 301-SS Page 8.20



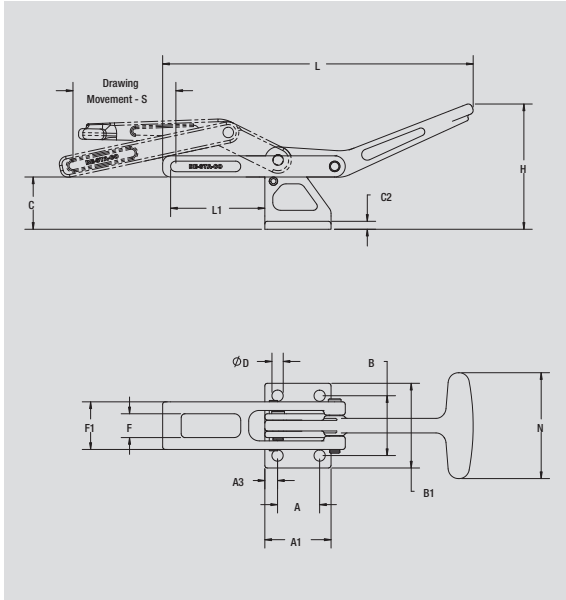
| Model no. | A | A1 | A3 | B | B1 | B3 | B4 | C | C2 | øD | H | L | L1 | S | | | | | | |
|-----------|------|------|------|------|------|------|------|------|------|------|------|------|------|------|--|--|--|--|--|--|
| 301 | 0.75 | 1.38 | 0.32 | 1.25 | 1.75 | 0.80 | 1.04 | 1.63 | 0.12 | 0.28 | 1.91 | 8.40 | 2.59 | 4.00 | | | | | | |
| 311 | 1.25 | 1.91 | 0.33 | 1.78 | 2.53 | 0.80 | 1.05 | 2.06 | 0.12 | 0.33 | 2.50 | 9.51 | 3.01 | 3.38 | | | | | | |



Information

DE-STA-CO clamp series 3011 is the newest addition to the rotational mold product offering. As a direct, drop-in replacement for the legacy 311 clamp, these cast, robust clamps will withstand the harsh environment of the rotational mold industry. A fixed stop automatically limits handle travel at various clamping positions after

installation, removing the need to adjust a manual stop. The clamps are available in 4130 carbon steel or 316 stainless steel. Model 3011 is black oxidized to help against corrosion. The ergonomic whale-tail handle provides better operator hand comfort.



| Model no. | Holding Capacity [lbs.] | [lbs.] | Drawing Movement |
|-----------|----------------------------|--------|------------------|
| 3011 | 2,000 | 2.00 | 3.00 |

ALSO AVAILABLE
 In Stainless Steel Model 3011-SS Page 8.21



Model 3011

| Model no. | A | A1 | A3 | B | B1 | C | C2 | øD | F | F1 | H | L | L1 | N | S |
|-----------|------|------|------|------|------|------|------|------|------|------|------|------|------|------|------|
| 3011 | 1.25 | 1.97 | 0.38 | 1.78 | 2.52 | 1.87 | 0.24 | 0.33 | 0.71 | 1.42 | 3.72 | 9.23 | 3.04 | 3.15 | 3.00 |

Pull action latch clamps – horizontal

■ With latch plate and U-shaped hook

Application areas

Ideal for quick closing of covers and flaps on rotating or stationary containers, drums, boxes and molds. The models with optional release lever are preferred where vibration of containers, transportation of boxes and drums is required.

Safety instructions

To ensure a secure form of locking, the clamp must be adjusted into the corresponding over-center toggle position.


Product features

- Patented thumb control lever
- Rivets made of stainless steel
- Zinc plated
- Oil-resistant, ergonomically shaped DE-STA-CO handle grip

Accessories

- Clamps are supplied with U-shaped hooks and latch plate

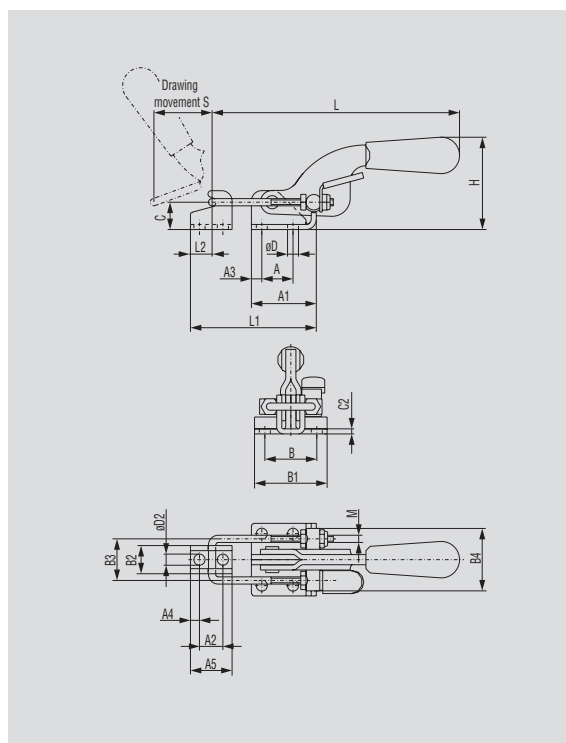
Models 323, 331, 341

| Model no. | Holding Capacity ➔ [lbs.] |  [lbs.] | Adjustment Range |
|-----------|---------------------------------|---|------------------|
| 323 | 360 | 0.15 | 0-0.49 |
| 323-M-25 | | | |
| 323-M-50 | | | |
| 323-M-100 | | | |
| 331 | 700 | 0.56 | 0-0.59 |
| 331-M-25 | | | |
| 331-M-50 | | | |
| 331-M-100 | | | |
| 341 | 2,000 | 1.43 | 0-0.76 |
| 341-M-25 | | | |
| 341-M-50 | | | |
| 341-M-100 | | | |

ALSO AVAILABLE

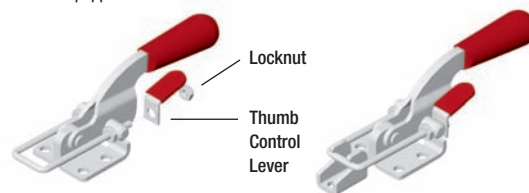
| | | |
|-----------------------------------|--|-------------------------------------|
| As DE-STA-CO® Toggle Lock Plus | Model 331-R Model 341-R | Page 6.7 Page 6.7 |
| In Stainless Steel | Model 323-SS Model 331-SS Model 341-SS | Page 8.14 Page 8.14 Page 8.14 |

See accessories beginning on page 9.1.



Patented #6,561,556

For added convenience and functionality, every DE-STA-CO pull action clamp is now equipped with a thumb control lever as a standard feature.



Patented
Thumb Lever Control
#6,561,556





| Model no. | A | A1 | A2 | A3 | A4 | A5 | B | B1 | B2 | B3 | B4 | C | C2 | øD | øD2 | H | L | L1 max | L2 | M | S |
|------------|------|------|------|------|------|------|------|------|------|------|------|------|------|------|------|------|-------|--------|------|----|------|
| 323 | 0.63 | 1.02 | 0.39 | 0.20 | 0.24 | 0.79 | 0.75 | 1.10 | 0.52 | 0.75 | 1.06 | 0.47 | 0.08 | 0.17 | 0.17 | 1.19 | 3.91 | 2.25 | 0.35 | M4 | 1.81 |
| 323-M-25▲ | 0.63 | 1.02 | 0.39 | 0.20 | 0.24 | 0.79 | 0.75 | 1.10 | 0.52 | 0.75 | 1.06 | 0.47 | 0.08 | 0.17 | 0.17 | 1.19 | 4.89 | 3.23 | 0.35 | M4 | 1.81 |
| 323-M-50▲ | 0.63 | 1.02 | 0.39 | 0.20 | 0.24 | 0.79 | 0.75 | 1.10 | 0.52 | 0.75 | 1.06 | 0.47 | 0.08 | 0.17 | 0.17 | 1.19 | 5.88 | 4.22 | 0.35 | M4 | 1.81 |
| 323-M-100▲ | 0.63 | 1.02 | 0.39 | 0.20 | 0.24 | 0.79 | 0.75 | 1.10 | 0.52 | 0.75 | 1.06 | 0.47 | 0.08 | 0.17 | 0.17 | 1.19 | 7.85 | 6.19 | 0.35 | M4 | 1.81 |
| 331 | 0.75 | 1.56 | 0.56 | 0.26 | 0.22 | 1.00 | 1.25 | 1.74 | 0.68 | 1.00 | 1.50 | 0.66 | 0.12 | 0.27 | 0.27 | 1.97 | 6.06 | 3.05 | 0.50 | M5 | 1.75 |
| 331-M-25▲ | 0.75 | 1.56 | 0.56 | 0.26 | 0.22 | 1.00 | 1.25 | 1.74 | 0.68 | 1.00 | 1.50 | 0.66 | 0.12 | 0.27 | 0.27 | 1.97 | 7.04 | 4.03 | 0.50 | M5 | 1.75 |
| 331-M-50▲ | 0.75 | 1.56 | 0.56 | 0.26 | 0.22 | 1.00 | 1.25 | 1.74 | 0.68 | 1.00 | 1.50 | 0.66 | 0.12 | 0.27 | 0.27 | 1.97 | 8.03 | 5.02 | 0.50 | M5 | 1.75 |
| 331-M-100▲ | 0.75 | 1.56 | 0.56 | 0.26 | 0.22 | 1.00 | 1.25 | 1.74 | 0.68 | 1.00 | 1.50 | 0.66 | 0.12 | 0.27 | 0.27 | 1.97 | 10.00 | 6.99 | 0.50 | M5 | 1.75 |
| 341 | 1.63 | 2.38 | 0.75 | 0.38 | 0.38 | 1.50 | 1.50 | 2.12 | 1.19 | 1.75 | 2.32 | 0.94 | 0.16 | 0.33 | 0.33 | 2.89 | 8.20 | 4.59 | 0.75 | M8 | 2.50 |
| 341-M-25▲ | 1.63 | 2.38 | 0.75 | 0.38 | 0.38 | 1.50 | 1.50 | 2.12 | 1.19 | 1.75 | 2.32 | 0.94 | 0.16 | 0.33 | 0.33 | 2.89 | 9.18 | 5.57 | 0.75 | M8 | 2.50 |
| 341-M-50▲ | 1.63 | 2.38 | 0.75 | 0.38 | 0.38 | 1.50 | 1.50 | 2.12 | 1.19 | 1.75 | 2.32 | 0.94 | 0.16 | 0.33 | 0.33 | 2.89 | 10.17 | 6.56 | 0.75 | M8 | 2.50 |
| 341-M-100▲ | 1.63 | 2.38 | 0.75 | 0.38 | 0.38 | 1.50 | 1.50 | 2.12 | 1.19 | 1.75 | 2.32 | 0.94 | 0.16 | 0.33 | 0.33 | 2.89 | 12.14 | 8.53 | 0.75 | M8 | 2.50 |

▲ Available upon request

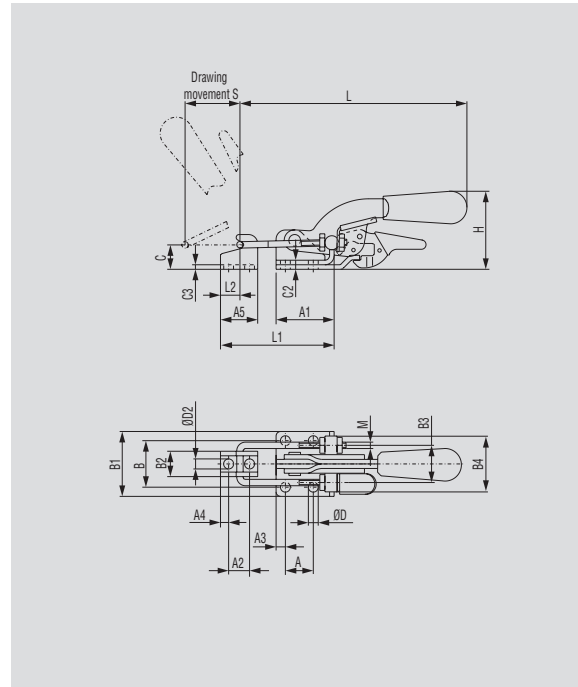
Models 331-R, 341-R

| Model no. | Holding Capacity | | Adjustment Range |
|-------------|------------------|--------|------------------|
| | [lbs.] | [lbs.] | |
| 331-R | 700 | 0.56 | 0-0.59 |
| 331-R-M-25 | | | |
| 331-R-M-50 | | | |
| 331-R-M-100 | | | |
| 341-R | 2,000 | 1.43 | 0-0.76 |
| 341-R-M-25 | | | |
| 341-R-M-50 | | | |
| 341-R-M-100 | | | |

ALSO AVAILABLE

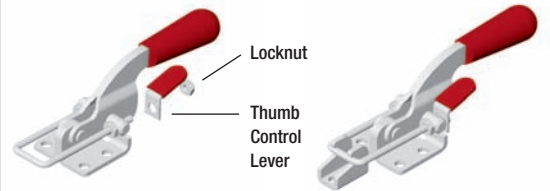
| | | |
|--------------------|---------------|-----------|
| In Stainless Steel | Model 331-RSS | Page 8.15 |
| | Model 341-RSS | Page 8.15 |

■ Supplied with DE-STA-CO® Toggle Lock Plus



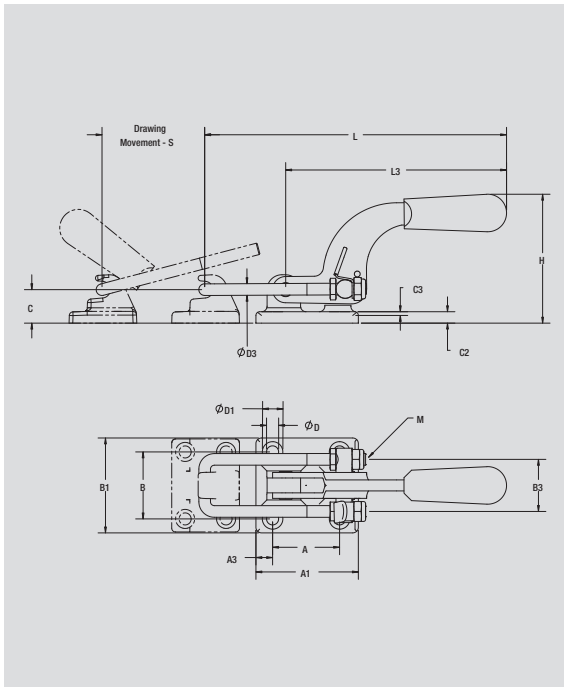
Patented #6,561,556

For added convenience and functionality, every DE-STA-CO pull action clamp is now equipped with a thumb control lever as a standard feature.



| Model no. | A | A1 | A2 | A3 | A4 | A5 | B | B1 | B2 | B3 | B4 | C | C2 | C3 | d | d2 | H | L | L1 max | L2 | M | S |
|--------------|------|------|------|------|------|------|------|------|------|------|------|------|------|------|------|------|------|-------|--------|------|----|------|
| 331-R | 0.75 | 1.56 | 0.56 | 0.26 | 0.22 | 1.00 | 1.25 | 1.74 | 0.68 | 1.00 | 1.50 | 0.66 | 0.24 | 0.12 | 0.27 | 0.27 | 2.08 | 6.06 | 3.05 | 0.50 | M5 | 1.75 |
| 331-R-M-25▲ | 0.75 | 1.56 | 0.56 | 0.26 | 0.22 | 1.00 | 1.25 | 1.74 | 0.68 | 1.00 | 1.50 | 0.66 | 0.24 | 0.12 | 0.27 | 0.27 | 2.08 | 7.04 | 4.03 | 0.50 | M5 | 1.75 |
| 331-R-M-50▲ | 0.75 | 1.56 | 0.56 | 0.26 | 0.22 | 1.00 | 1.25 | 1.74 | 0.68 | 1.00 | 1.50 | 0.66 | 0.24 | 0.12 | 0.27 | 0.27 | 2.08 | 8.03 | 5.02 | 0.50 | M5 | 1.75 |
| 331-R-M-100▲ | 0.75 | 1.56 | 0.56 | 0.26 | 0.22 | 1.00 | 1.25 | 1.74 | 0.68 | 1.00 | 1.50 | 0.66 | 0.24 | 0.12 | 0.27 | 0.27 | 2.08 | 10.00 | 6.99 | 0.50 | M5 | 1.75 |
| 341-R | 1.63 | 2.38 | 0.75 | 0.38 | 0.38 | 1.50 | 1.50 | 2.12 | 1.19 | 1.75 | 2.32 | 0.94 | 0.16 | 0.16 | 0.33 | 0.33 | 2.89 | 8.20 | 4.59 | 0.75 | M8 | 2.50 |
| 341-R-M-25▲ | 1.63 | 2.38 | 0.75 | 0.38 | 0.38 | 1.50 | 1.50 | 2.12 | 1.19 | 1.75 | 2.32 | 0.94 | 0.16 | 0.16 | 0.33 | 0.33 | 2.89 | 9.18 | 5.57 | 0.75 | M8 | 2.50 |
| 341-R-M-50▲ | 1.63 | 2.38 | 0.75 | 0.38 | 0.38 | 1.50 | 1.50 | 2.12 | 1.19 | 1.75 | 2.32 | 0.94 | 0.16 | 0.16 | 0.33 | 0.33 | 2.89 | 10.17 | 6.56 | 0.75 | M8 | 2.50 |
| 341-R-M-100▲ | 1.63 | 2.38 | 0.75 | 0.38 | 0.38 | 1.50 | 1.50 | 2.12 | 1.19 | 1.75 | 2.32 | 0.94 | 0.16 | 0.16 | 0.33 | 0.33 | 2.89 | 12.14 | 8.53 | 0.75 | M8 | 2.50 |

▲ Available upon request



Patented #6,561,556
 For added convenience and functionality, every DE-STA-CO pull action clamp is now equipped with a thumb control lever as a standard feature.

| Model no. | Holding Capacity ➔ [lbs.] | [lbs.] | Adjustment Range |
|-----------|---------------------------------|------------|------------------|
| 375 | 4,000 | 2.75 | 0-0.69 |
| 375-M-25 | | | |
| 375-M-50 | | | |
| 375-M-100 | | | |

| ALSO AVAILABLE | | |
|--|-------------|-----------|
| As DE-STA-CO® Toggle Lock Plus | Model 375-R | Page 6.10 |
| See accessories beginning on page 9.1. | | |

**Patented
Thumb Lever Control
#6,561,556**




Model 375
 Shown with optional
 latch plate (385102)

| Model no. | A | A1 | B | B1 | B3 | C | C2 | C3 | øD | øD1 | øD3 | H | L | L3 | M | S | | | |
|------------|------|------|------|------|------|------|------|------|------|------|------|------|-------|------|-----|------|--|--|--|
| 375 | 2.25 | 3.44 | 2.25 | 3.19 | 1.75 | 1.13 | 0.38 | 0.13 | 0.41 | 0.69 | 0.39 | 4.26 | 10.17 | 7.45 | M10 | 3.50 | | | |
| 375-M-25▲ | 2.25 | 3.44 | 2.25 | 3.19 | 1.75 | 1.13 | 0.38 | 0.13 | 0.41 | 0.69 | 0.39 | 4.26 | 11.15 | 7.45 | M10 | 3.50 | | | |
| 375-M-50▲ | 2.25 | 3.44 | 2.25 | 3.19 | 1.75 | 1.13 | 0.38 | 0.13 | 0.41 | 0.69 | 0.39 | 4.26 | 12.14 | 7.45 | M10 | 3.50 | | | |
| 375-M-100▲ | 2.25 | 3.44 | 2.25 | 3.19 | 1.75 | 1.13 | 0.38 | 0.13 | 0.41 | 0.69 | 0.39 | 4.26 | 14.11 | 7.45 | M10 | 3.50 | | | |

▲ Available upon request

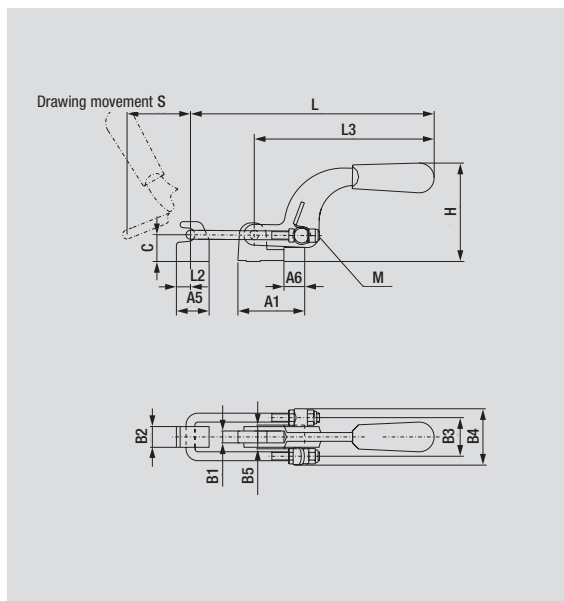
Model 375-B

| Model no. | Holding Capacity ➔ [lbs.] |  [lbs.] | Adjustment Range |
|-------------|---------------------------------|---|------------------|
| 375-B | 4,000 | 2.75 | 0-0.69 |
| 375-B-M-25 | | | |
| 375-B-M-50 | | | |
| 375-B-M-100 | | | |

ALSO AVAILABLE

As DE-STA-CO® Model 375-BR Page 6.11
Toggle Lock Plus

See accessories beginning on page 9.1.



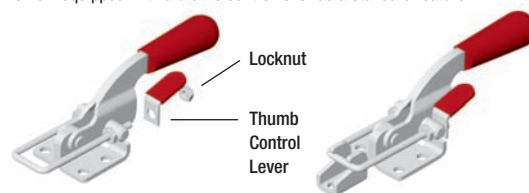
Patented
Thumb Lever Control
#6,561,556



Model 375-B
Shown with supplied
latch plate (375509)

Patented #6,561,556

For added convenience and functionality, every DE-STA-CO pull action clamp is now equipped with a thumb control lever as a standard feature.



| Model no. | A1 | A5 | A6 | B1 | B2 | B3 | B4 | B5 | C | H | L | L3 | M | S | | | | | | |
|---------------|------|------|------|------|------|------|------|------|------|------|-------|------|-----|------|--|--|--|--|--|--|
| 375-B | 2.80 | 1.38 | 0.87 | 0.49 | 0.88 | 1.75 | 2.50 | 1.00 | 1.13 | 4.18 | 10.20 | 7.48 | M10 | 3.50 | | | | | | |
| 375-B-M-25 ▲ | 2.80 | 1.38 | 0.87 | 0.49 | 0.88 | 1.75 | 2.50 | 1.00 | 1.13 | 4.18 | 11.18 | 7.48 | M10 | 3.50 | | | | | | |
| 375-B-M-50 ▲ | 2.80 | 1.38 | 0.87 | 0.49 | 0.88 | 1.75 | 2.50 | 1.00 | 1.13 | 4.18 | 12.17 | 7.48 | M10 | 3.50 | | | | | | |
| 375-B-M-100 ▲ | 2.80 | 1.38 | 0.87 | 0.49 | 0.88 | 1.75 | 2.50 | 1.00 | 1.13 | 4.18 | 14.14 | 7.48 | M10 | 3.50 | | | | | | |

▲ Available upon request

Pull action latch clamps – horizontal

■ With latch hook

Application areas

Ideal for quick closing of covers and flaps on rotating or stationary containers, drums, boxes and molds. These clamps offer holding capacities of up to 7,500 lbs.

The models with release lever are recommended where vibration of containers, transportation of boxes and drums is present.

Safety instruction

To ensure a secure form of locking, the clamp must be adjusted into the corresponding over-center toggle position.

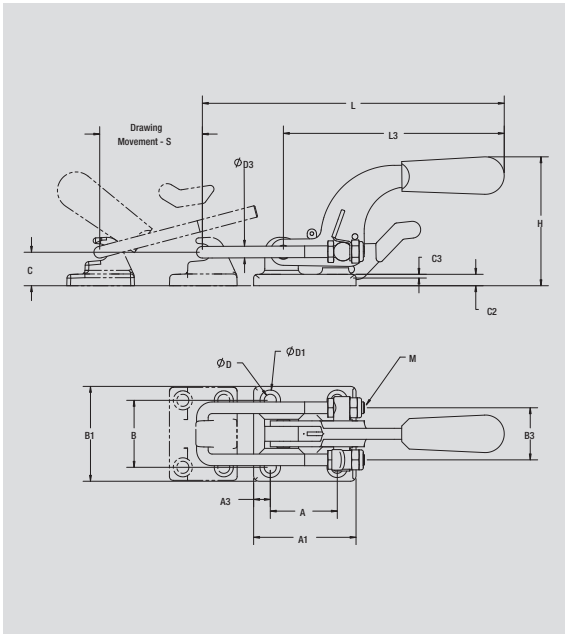
Product features

- Patented thumb control lever
- Casted base, black oxidized
- Zinc plated
- Oil-resistant, ergonomically shaped DE-STA-CO handle grip

Accessories

- Clamps are supplied complete with latch hooks. Optional latch plate available (385102).

Model 375-R



| Model no. | Holding Capacity ➔ [lbs.] | [lbs.] | Adjustment Range |
|-------------|---------------------------------|------------|------------------|
| 375-R | 4,000 | 2.10 | 0-0.69 |
| 375-R-M-25 | | | |
| 375-R-M-50 | | | |
| 375-R-M-100 | | | |

■ DE-STA-CO® Toggle Lock Plus

Patented
Thumb Lever Control
#6,561,556



Model 375-R
Shown with optional
latch plate (385102)


Patented #6,561,556
For added convenience and functionality, every DE-STA-CO pull action clamp is now equipped with a thumb control lever as a standard feature.

Locknut
Thumb Control Lever

| Model no. | A | A1 | B | B1 | B4 | C | C2 | C3 | øD | øD1 | øD3 | H | L | L3 | M | S | | | | |
|---------------|------|------|------|------|------|------|------|------|------|------|------|------|-------|------|-----|------|--|--|--|--|
| 375-R | 2.25 | 3.44 | 2.25 | 3.19 | 1.75 | 1.13 | 0.38 | 0.13 | 0.41 | 0.69 | 0.39 | 4.26 | 10.17 | 7.45 | M10 | 3.50 | | | | |
| 375-R-M-25 ▲ | 2.25 | 3.44 | 2.25 | 3.19 | 1.75 | 1.13 | 0.38 | 0.13 | 0.41 | 0.69 | 0.39 | 4.26 | 11.15 | 7.45 | M10 | 3.50 | | | | |
| 375-R-M-50 ▲ | 2.25 | 3.44 | 2.25 | 3.19 | 1.75 | 1.13 | 0.38 | 0.13 | 0.41 | 0.69 | 0.39 | 4.26 | 12.14 | 7.45 | M10 | 3.50 | | | | |
| 375-R-M-100 ▲ | 2.25 | 3.44 | 2.25 | 3.19 | 1.75 | 1.13 | 0.38 | 0.13 | 0.41 | 0.69 | 0.39 | 4.26 | 14.11 | 7.45 | M10 | 3.50 | | | | |

▲ Available upon request

Model 375-BR

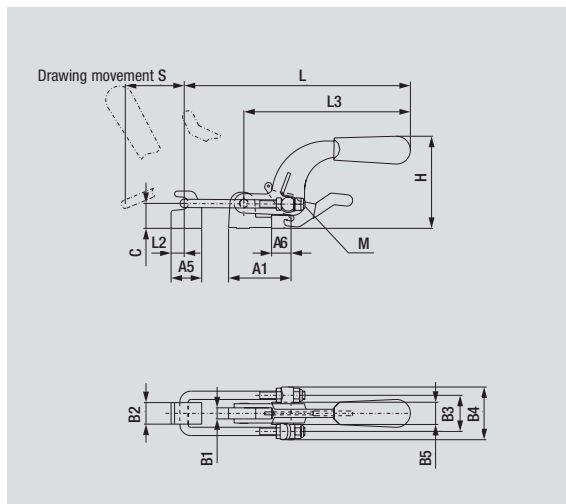
| Model no. | Holding Capacity [lbs.] |  [lbs.] | Adjustment Range |
|--------------|----------------------------|---|------------------|
| 375-BR | 4,000 | 2.75 | 0-0.69 |
| 375-BR-M-25 | | | |
| 375-BR-M-50 | | | |
| 375-BR-M-100 | | | |

■ DE-STA-CO® Toggle Lock Plus

**Patented
Thumb Lever Control
#6,561,556**

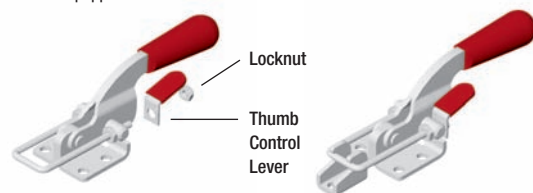


Model 375-BR
Shown with supplied
latch plate (375509)



Patented #6,561,556

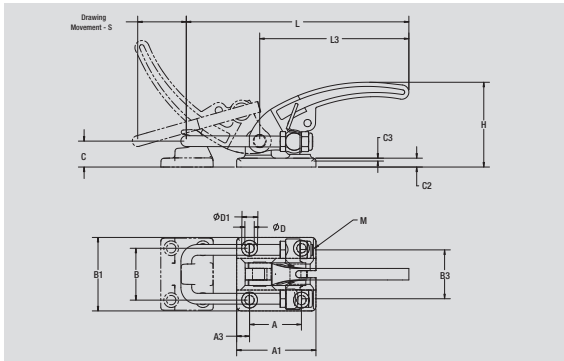
For added convenience and functionality, every DE-STA-CO pull action clamp is now equipped with a thumb control lever as a standard feature.



| Model no. | A1 | A5 | A6 | B1 | B2 | B3 | B4 | B5 | C | H | L | L3 | M | S | | | | |
|----------------|------|------|------|------|------|------|------|------|------|------|-------|------|-----|------|--|--|--|--|
| 375-BR | 2.80 | 1.38 | 0.87 | 0.49 | 0.88 | 1.75 | 2.50 | 1.00 | 1.13 | 4.18 | 10.20 | 7.48 | M10 | 3.50 | | | | |
| 375-BR-M-25 ▲ | 2.80 | 1.38 | 0.87 | 0.49 | 0.88 | 1.75 | 2.50 | 1.00 | 1.13 | 4.18 | 11.18 | 7.48 | M10 | 3.50 | | | | |
| 375-BR-M-50 ▲ | 2.80 | 1.38 | 0.87 | 0.49 | 0.88 | 1.75 | 2.50 | 1.00 | 1.13 | 4.18 | 12.17 | 7.48 | M10 | 3.50 | | | | |
| 375-BR-M-100 ▲ | 2.80 | 1.38 | 0.87 | 0.49 | 0.88 | 1.75 | 2.50 | 1.00 | 1.13 | 4.18 | 14.14 | 7.48 | M10 | 3.50 | | | | |

▲ Available upon request

Model 385



Patented #6,561,556
For added convenience and functionality, every DE-STA-CO pull action clamp is now equipped with a thumb control lever as a standard feature.

Locknut
Thumb Control Lever



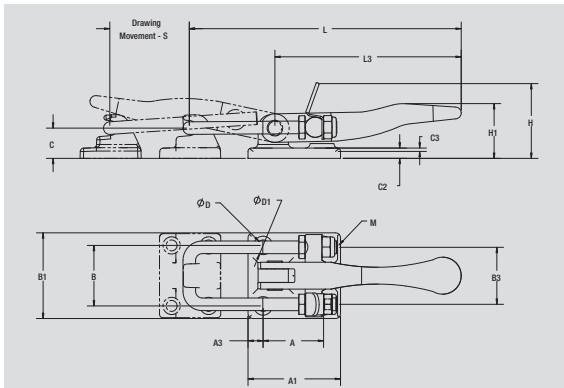
| Model no. | Holding Capacity [lbs.] | Adjustment Range |
|-----------|----------------------------|------------------|
| 385 | 7,500 | 0-1.07 |
| 385-M-25 | | |
| 385-M-50 | | |
| 385-M-100 | | |

| ALSO AVAILABLE | | |
|--|---------------|-----------|
| As DE-STA-CO® Toggle Lock Plus | Model 385-R | Page 6.13 |
| As Stainless Steel | Model 385-V2A | Page 8.15 |
| See accessories beginning on page 9.1. | | |

| Model no. | A | A1 | A3 | B | B1 | B3 | C | C2 | C3 | øD | øD1 | H | L | L3 | M | S |
|-------------|------|------|------|------|------|------|------|------|------|------|------|------|-------|------|-----|------|
| 385 | 2.25 | 3.44 | 0.56 | 2.25 | 3.19 | 2.12 | 1.13 | 0.38 | 0.13 | 0.41 | 0.69 | 3.75 | 10.13 | 6.44 | M12 | 2.19 |
| 385-M-25 ▲ | 2.25 | 3.44 | 0.56 | 2.25 | 3.19 | 2.12 | 1.13 | 0.38 | 0.13 | 0.41 | 0.69 | 3.75 | 11.11 | 6.44 | M12 | 2.19 |
| 385-M-50 ▲ | 2.25 | 3.44 | 0.56 | 2.25 | 3.19 | 2.12 | 1.13 | 0.38 | 0.13 | 0.41 | 0.69 | 3.75 | 12.10 | 6.44 | M12 | 2.19 |
| 385-M-100 ▲ | 2.25 | 3.44 | 0.56 | 2.25 | 3.19 | 2.12 | 1.13 | 0.38 | 0.13 | 0.41 | 0.69 | 3.75 | 14.07 | 6.44 | M12 | 2.19 |

▲ Available upon request

Model 385-L



Patented #6,561,556
For added convenience and functionality, every DE-STA-CO pull action clamp is now equipped with a thumb control lever as a standard feature.

Locknut
Thumb Control Lever

| Model no. | Holding Capacity [lbs.] | Adjustment Range |
|-------------|----------------------------|------------------|
| 385-L | 7,500 | 0-1.07 |
| 385-L-M-25 | | |
| 385-L-M-50 | | |
| 385-L-M-100 | | |



Versions in stainless steel beginning on page 8.1



| Model no. | A | A1 | A3 | B | B1 | B3 | C | C2 | C3 | øD | øD1 | H | H1 | L | L3 | M | S |
|---------------|------|------|------|------|------|------|------|------|------|------|------|------|------|-------|------|-----|------|
| 385-L | 2.25 | 3.44 | 0.56 | 2.25 | 3.19 | 2.12 | 1.13 | 0.38 | 0.13 | 0.41 | 0.69 | 2.75 | 1.84 | 10.13 | 6.95 | M12 | 2.19 |
| 385-L-M-25 ▲ | 2.25 | 3.44 | 0.56 | 2.25 | 3.19 | 2.12 | 1.13 | 0.38 | 0.13 | 0.41 | 0.69 | 2.75 | 1.84 | 11.11 | 6.95 | M12 | 2.19 |
| 385-L-M-50 ▲ | 2.25 | 3.44 | 0.56 | 2.25 | 3.19 | 2.12 | 1.13 | 0.38 | 0.13 | 0.41 | 0.69 | 2.75 | 1.84 | 12.10 | 6.95 | M12 | 2.19 |
| 385-L-M-100 ▲ | 2.25 | 3.44 | 0.56 | 2.25 | 3.19 | 2.12 | 1.13 | 0.38 | 0.13 | 0.41 | 0.69 | 2.75 | 1.84 | 14.07 | 6.95 | M12 | 2.19 |

▲ Available upon request

Model 385-R

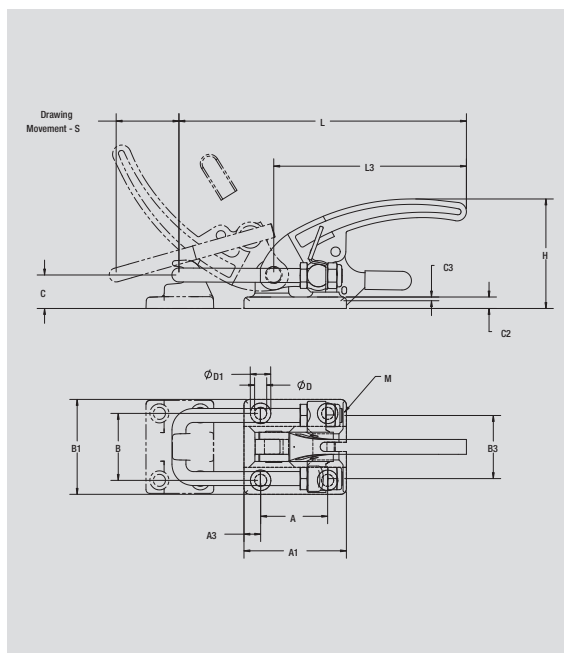
| Model no. | Holding Capacity |  [lbs.] | Adjustment Range |
|-------------|---|---|------------------|
| |  [lbs.] | | |
| 385-R | 7,500 | 3.39 | 0-1.07 |
| 385-R-M-25 | | | |
| 385-R-M-50 | | | |
| 385-R-M-100 | | | |

DE-STA-CO® Toggle Lock Plus

**Patented
Thumb Lever Control
#6,561,556**



Model 385-R
Shown with optional
latch plate (385102)



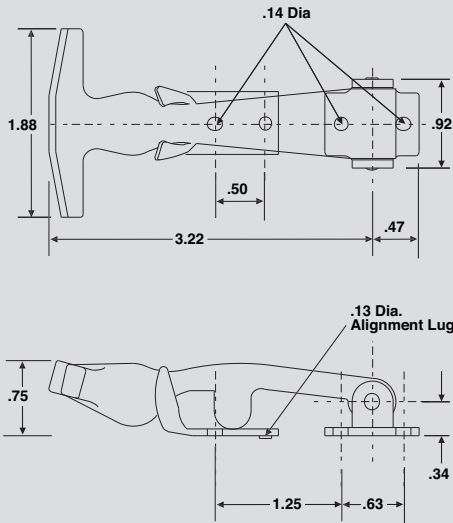
Patented #6,561,556
For added convenience and functionality, every DE-STA-CO pull action clamp is now equipped with a thumb control lever as a standard feature.

Locknut
Thumb Control Lever

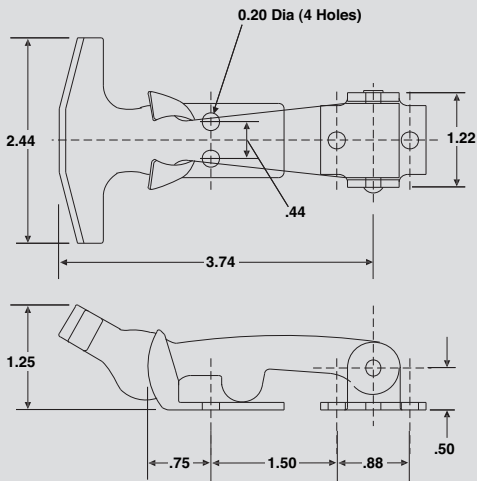
| Model no. | A | A1 | A3 | B | B1 | B3 | C | C2 | C3 | øD | øD1 | H | L | L3 | M | S | | | | |
|---------------|------|------|------|------|------|------|------|------|------|------|------|------|-------|------|-----|------|--|--|--|--|
| 385-R | 2.25 | 3.44 | 0.56 | 2.25 | 3.19 | 2.12 | 1.13 | 0.38 | 0.13 | 0.41 | 0.69 | 2.75 | 10.13 | 6.95 | M12 | 2.19 | | | | |
| 385-R-M-25 ▲ | 2.25 | 3.44 | 0.56 | 2.25 | 3.19 | 2.12 | 1.13 | 0.38 | 0.13 | 0.41 | 0.69 | 2.75 | 11.11 | 6.95 | M12 | 2.19 | | | | |
| 385-R-M-50 ▲ | 2.25 | 3.44 | 0.56 | 2.25 | 3.19 | 2.12 | 1.13 | 0.38 | 0.13 | 0.41 | 0.69 | 2.75 | 12.10 | 6.95 | M12 | 2.19 | | | | |
| 385-R-M-100 ▲ | 2.25 | 3.44 | 0.56 | 2.25 | 3.19 | 2.12 | 1.13 | 0.38 | 0.13 | 0.41 | 0.69 | 2.75 | 14.07 | 6.95 | M12 | 2.19 | | | | |

▲ Available upon request

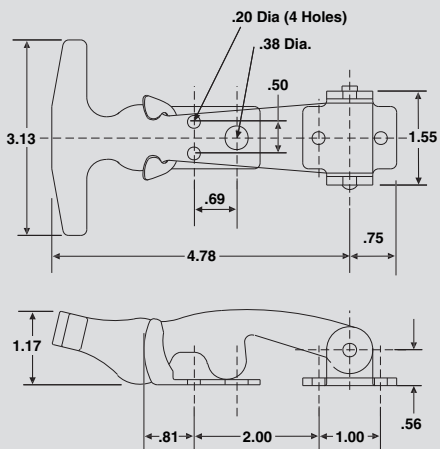
Model 326



Model 336



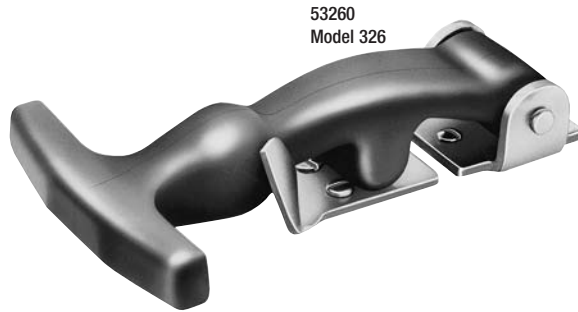
Model 346



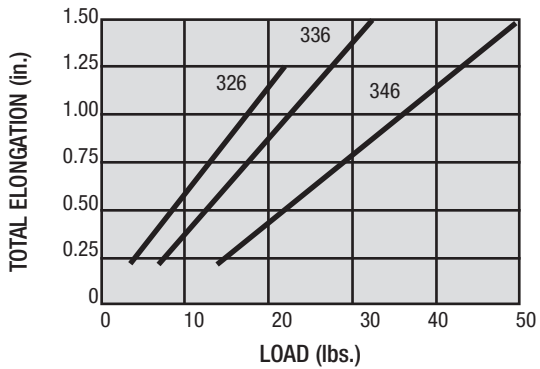
Information

DE-STA-CO "T" handle rubber latches provide vibration and sound dampening and compensation for severe misalignment. The latch handle is made of an ozone resistant synthetic rubber and the base and keeper are formed of passivated stainless steel. Operation is easy: simply pull on handle and stretch to slide bulb of rubber handle into the keeper.

- Automatically compensates for misalignment
- Dampens vibration
- Dampens sound
- Easy to operate
- Ozone resistant synthetic rubber (EPDM)
- Durometer 70 ± 5
- Stainless steel (passivated) components (302-304SS)
- Three models
- Low cost
- Max. temperature rating 250° F (121° C)



LOAD DEFLECTION CHART



| Model no. | EDP no. | Holding Capacity | Weight |
|-----------|---------|------------------|-----------|
| 326 | 53260 | 8 lbs. | 0.07 lbs. |
| 336 | 53360 | 12 lbs. | 0.16 lbs. |
| 346 | 53460 | 25 lbs. | 0.36 lbs. |

Pull action latch clamps – vertical

■ With latch plate and U-shaped hook

Application areas

Ideal for quick clamping for the closure of covers and flaps on rotating or stationary containers, drums, boxes and molds. Holding capacities of up to 2,000 lbs.

Product features

- Patented thumb control lever
- Rivets made of stainless steel
- Zinc plated
- Oil-resistant, ergonomically shaped DE-STA-CO handle grip

Accessories

- Clamps are supplied with U-shaped hooks and latch plates. (except Model 374)

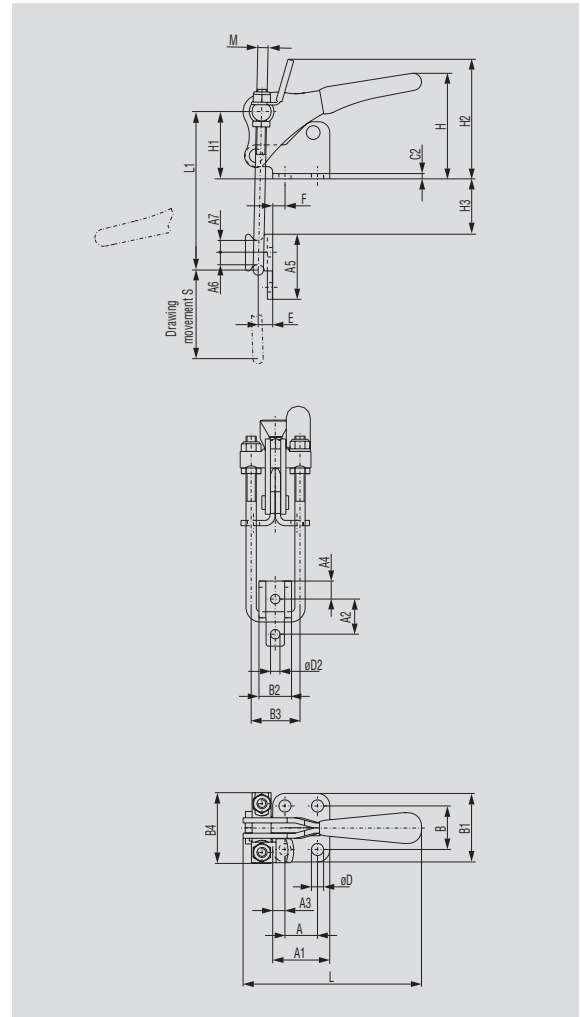
Models 324, 334, 344

| Model no. | Holding Capacity ➔ [lbs.] | [lbs.] | Adjustment Range |
|-----------|---------------------------------|------------|------------------|
| 324 | 500 | 0.25 | 0-0.50 |
| 324-M-25 | | | |
| 324-M-50 | | | |
| 324-M-100 | | | |
| 334 | 1,000 | 0.60 | 0-0.80 |
| 334-M-25 | | | |
| 334-M-50 | | | |
| 334-M-100 | | | |
| 344 | 2,000 | 1.50 | 0-1.26 |
| 344-M-25 | | | |
| 344-M-50 | | | |
| 344-M-100 | | | |

ALSO AVAILABLE

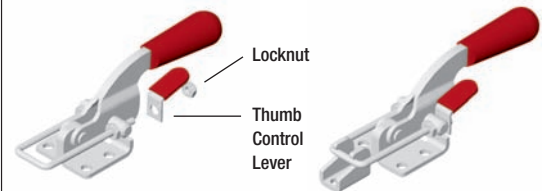
| | | |
|--|---|------------------------|
| In Stainless Steel | Models 324-SS. 334-SS Model 344-SS ▲ | Page 8.16 Page 8.16 |
| Accessories | Page 9.1 | |
| ▲ Available upon request, as are a number of other modifications | | |

Patented
Thumb Lever Control
#6,561,556



Patented #6,561,556

For added convenience and functionality, every DE-STA-CO pull action clamp is now equipped with a thumb control lever as a standard feature.



| Model no. | A | A1 | A2 | A3 | A4 | A5 | A6 | A7 | B | B1 |
|-----------|------|------|------|------|------|------|------|------|------|------|
| 324 | 0.50 | 1.00 | 0.56 | 0.25 | 0.28 | 1.00 | 0.19 | 0.19 | 0.88 | 1.38 |
| 324-M-25 | 0.50 | 1.00 | 0.56 | 0.25 | 0.28 | 1.00 | 0.19 | 0.19 | 0.88 | 1.38 |
| 324-M-50 | 0.50 | 1.00 | 0.56 | 0.25 | 0.28 | 1.00 | 0.19 | 0.19 | 0.88 | 1.38 |
| 324-M-100 | 0.50 | 1.00 | 0.56 | 0.25 | 0.28 | 1.00 | 0.19 | 0.19 | 0.88 | 1.38 |
| 334 | 0.75 | 1.31 | 0.81 | 0.28 | 0.41 | 1.50 | 0.28 | 0.28 | 1.00 | 1.56 |
| 334-M-25 | 0.75 | 1.31 | 0.81 | 0.28 | 0.41 | 1.50 | 0.28 | 0.28 | 1.00 | 1.56 |
| 334-M-50 | 0.75 | 1.31 | 0.81 | 0.28 | 0.41 | 1.50 | 0.28 | 0.28 | 1.00 | 1.56 |
| 334-M-100 | 0.75 | 1.31 | 0.81 | 0.28 | 0.41 | 1.50 | 0.28 | 0.28 | 1.00 | 1.56 |
| 344 | 1.25 | 1.94 | 1.06 | 0.35 | 0.69 | 2.13 | 0.36 | 0.39 | 1.44 | 2.12 |
| 344-M-25 | 1.25 | 1.94 | 1.06 | 0.35 | 0.69 | 2.13 | 0.36 | 0.39 | 1.44 | 2.12 |
| 344-M-50 | 1.25 | 1.94 | 1.06 | 0.35 | 0.69 | 2.13 | 0.36 | 0.39 | 1.44 | 2.12 |
| 344-M-100 | 1.25 | 1.94 | 1.06 | 0.35 | 0.69 | 2.13 | 0.36 | 0.39 | 1.44 | 2.12 |

| Model no. | Max. Mechanical Advantage (M.A.) | Force Applied to Handle at D |
|-----------|----------------------------------|------------------------------|
| 324 | 31:1 | 0.250 |
| 334 | 31:1 | 0.250 |
| 344 | 45:1 | 0.250 |

Patented
Thumb Lever Control
#6,561,556



| Model no. | B2 | B3 | B4 | C2 | øD | øD2 | H | H2 | L | L1 max | M | S | E | F | H3 max | H1 | | | | |
|------------|------|------|------|------|------|------|------|------|------|--------|----|------|------|------|--------|------|--|--|--|--|
| 324 | 0.53 | 0.81 | 1.19 | 0.09 | 0.20 | 0.17 | 1.89 | 1.98 | 3.50 | 2.56 | M4 | 1.53 | 0.19 | 0.22 | 0.91 | 1.10 | | | | |
| 324-M-25▲ | 0.53 | 0.81 | 1.19 | 0.09 | 0.20 | 0.17 | 1.89 | 1.98 | 3.50 | 3.54 | M4 | 1.53 | 0.19 | 0.22 | 1.89 | 1.10 | | | | |
| 324-M-50▲ | 0.53 | 0.81 | 1.19 | 0.09 | 0.20 | 0.17 | 1.89 | 1.98 | 3.50 | 4.53 | M4 | 1.53 | 0.19 | 0.22 | 2.88 | 1.10 | | | | |
| 324-M-100▲ | 0.53 | 0.81 | 1.19 | 0.09 | 0.20 | 0.17 | 1.89 | 1.98 | 3.50 | 6.50 | M4 | 1.53 | 0.19 | 0.22 | 4.85 | 1.10 | | | | |
| 334 | 0.68 | 1.13 | 1.63 | 0.12 | 0.28 | 0.22 | 2.39 | 2.69 | 4.10 | 3.70 | M6 | 2.00 | 0.35 | 0.19 | 1.35 | 1.55 | | | | |
| 334-M-25▲ | 0.68 | 1.13 | 1.63 | 0.12 | 0.28 | 0.22 | 2.39 | 2.69 | 4.10 | 4.68 | M6 | 2.00 | 0.35 | 0.19 | 2.33 | 1.55 | | | | |
| 334-M-50▲ | 0.68 | 1.13 | 1.63 | 0.12 | 0.28 | 0.22 | 2.39 | 2.69 | 4.10 | 5.67 | M6 | 2.00 | 0.35 | 0.19 | 3.32 | 1.55 | | | | |
| 334-M-100▲ | 0.68 | 1.13 | 1.63 | 0.12 | 0.28 | 0.22 | 2.39 | 2.69 | 4.10 | 7.64 | M6 | 2.00 | 0.35 | 0.19 | 5.29 | 1.55 | | | | |
| 344 | 1.19 | 1.75 | 2.38 | 0.16 | 0.34 | 0.34 | 3.42 | 3.10 | 5.78 | 5.00 | M8 | 2.50 | 0.50 | 0.30 | 1.93 | 1.86 | | | | |
| 344-M-25▲ | 1.19 | 1.75 | 2.38 | 0.16 | 0.34 | 0.34 | 3.42 | 3.10 | 5.78 | 5.98 | M8 | 2.50 | 0.50 | 0.30 | 1.93 | 1.86 | | | | |
| 344-M-50▲ | 1.19 | 1.75 | 2.38 | 0.16 | 0.34 | 0.34 | 3.42 | 3.10 | 5.78 | 6.97 | M8 | 2.50 | 0.50 | 0.30 | 1.93 | 1.86 | | | | |
| 344-M-100▲ | 1.19 | 1.75 | 2.38 | 0.16 | 0.34 | 0.34 | 3.42 | 3.10 | 5.78 | 8.94 | M8 | 2.50 | 0.50 | 0.30 | 1.93 | 1.86 | | | | |

▲ Available upon request

Pull action latch clamps – vertical

- With U-shaped hook (latch plate sold separately)

Application areas

Ideal for quick closing of covers and flaps on rotating or stationary containers, drums, boxes and molds. These clamps offer a holding capacity of 4,000 lbs.

Product features


- Patented thumb control lever

- Base and latch plate cast, black oxidized
- Zinc plated
- Partially oil-resistant, ergonomically shaped DE-STA-CO handle grip

Accessories

- Latch clamps of this series are delivered complete with U-shaped hooks (latch plates sold separately).

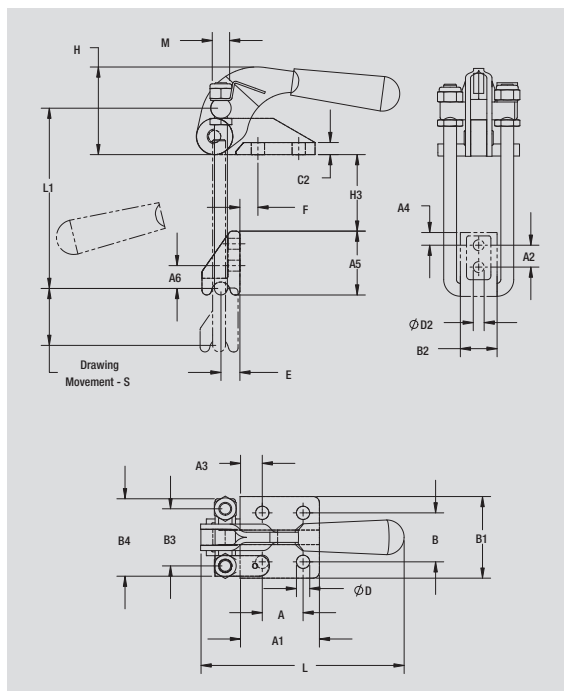
Model 374

| Model no. | Holding Capacity ➔ [lbs.] |  [lbs.] | Adjustment Range |
|-----------|---------------------------------|---|------------------|
| 374 | 4,000 | 2.10 | 0-2.03 |
| 374-M-25 | | | |
| 374-M-50 | | | |
| 374-M-100 | | | |

Patented
Thumb Lever Control
#6,561,556

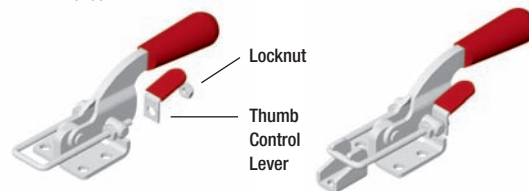


Optional latch plate (374107)



Patented #6,561,556

For added convenience and functionality, every DE-STA-CO pull action clamp is now equipped with a thumb control lever as a standard feature.



| Model no. | A | A1 | A2 | A3 | A4 | A5 | A6 | B | B1 | B2 | B3 | B4 | C2 | øD | øD2 | H | L | L1 max | M | S | E | F | H3 max | H1 |
|------------|------|------|------|------|------|------|------|------|------|------|------|------|------|------|------|------|------|--------|-----|------|------|------|--------|------|
| 374 | 1.25 | 2.41 | 0.67 | 0.66 | 0.39 | 1.96 | 0.50 | 1.50 | 2.50 | 1.13 | 1.75 | 2.36 | 0.37 | 0.41 | 0.33 | 2.68 | 6.23 | 5.52 | M10 | 1.75 | 0.58 | 0.55 | 2.34 | 1.42 |
| 374-M-25▲ | 1.25 | 2.41 | 0.67 | 0.66 | 0.39 | 1.96 | 0.50 | 1.50 | 2.50 | 1.13 | 1.75 | 2.36 | 0.37 | 0.41 | 0.33 | 2.68 | 6.23 | 6.50 | M10 | 1.75 | 0.58 | 0.55 | 3.32 | 1.42 |
| 374-M-50▲ | 1.25 | 2.41 | 0.67 | 0.66 | 0.39 | 1.96 | 0.50 | 1.50 | 2.50 | 1.13 | 1.75 | 2.36 | 0.37 | 0.41 | 0.33 | 2.68 | 6.23 | 7.49 | M10 | 1.75 | 0.58 | 0.55 | 4.31 | 1.42 |
| 374-M-100▲ | 1.25 | 2.41 | 0.67 | 0.66 | 0.39 | 1.96 | 0.50 | 1.50 | 2.50 | 1.13 | 1.75 | 2.36 | 0.37 | 0.41 | 0.33 | 2.68 | 6.23 | 9.46 | M10 | 1.75 | 0.58 | 0.55 | 6.28 | 1.42 |

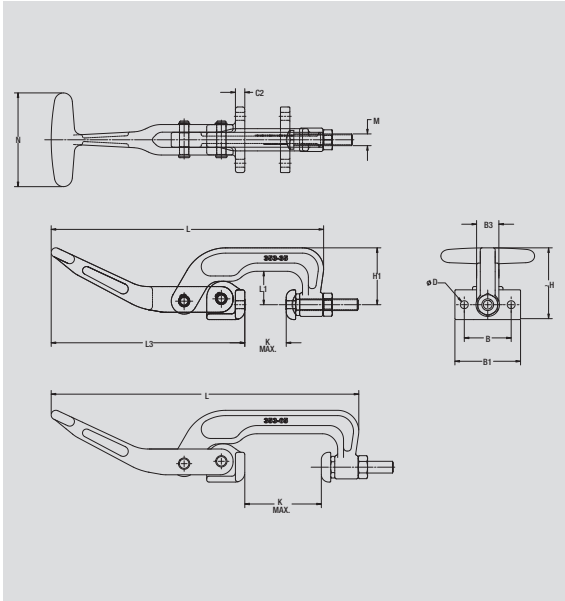
▲ Available upon request



Information

These robust, heavy-duty cast clamps are designed to withstand the harshest environments of the rotational mold industry. They are ideal for clamping directly on the parting lines of CNC machined molds and are available in carbon or stainless steel. The clamps utilize two stainless steel pivot pins to help eliminate pivot point binding. The curved radius on the mounting flange and keeper plate allows the

clamp to fit snugly along the radius of the parting line. The ergonomic handle provides greater operator comfort by reducing the stress on the operator's hands. Models 353-35 and 353-65 are black oxidized to help reduce corrosion. The clamps are supplied with a tapered M10X1.5 hex head bolt assembly and keeper plate.



| Model no. | Holding Capacity [lbs.] | [lbs.] | Max. Mechanical Adjustment (M.A.) |
|-----------|----------------------------|--------|-----------------------------------|
| 353-35 | 2,800 | 2.10 | 23:1 |
| 353-65 | 2,100 | 2.30 | 27:1 |

ALSO AVAILABLE
 In Stainless Steel Model 359-35, 359-65 Page 8.22
 See accessories beginning on page 9.1.



Keeper plate (353004)



Tapered bolt assembly (353908)

| Model no. | B | B1 | B3 | C2 | øD | ~H | H1 | K | L | L1 | L3 | M | N | | | | |
|-----------|------|------|------|------|------|------|------|------|-------|------|------|-----|------|--|--|--|--|
| 353-35 | 1.57 | 2.20 | 0.75 | 0.31 | 0.27 | 2.38 | 1.91 | 1.39 | 9.15 | 1.12 | 6.50 | M10 | 3.15 | | | | |
| 353-65 | 1.57 | 2.20 | 0.75 | 0.31 | 0.27 | 2.38 | 1.91 | 2.57 | 10.33 | 1.12 | 6.50 | M10 | 3.15 | | | | |

Pull action latch clamps – horizontal

■ With hook

Application areas

Ideal for quick closing of covers and flaps on rotating or stationary containers, drums, boxes and molds. These clamps offer holding capacities of up to 1,000 lbs.

The models with additional release lever are recommended where vibration of containers, transportation of boxes and drums is present.


Safety instruction

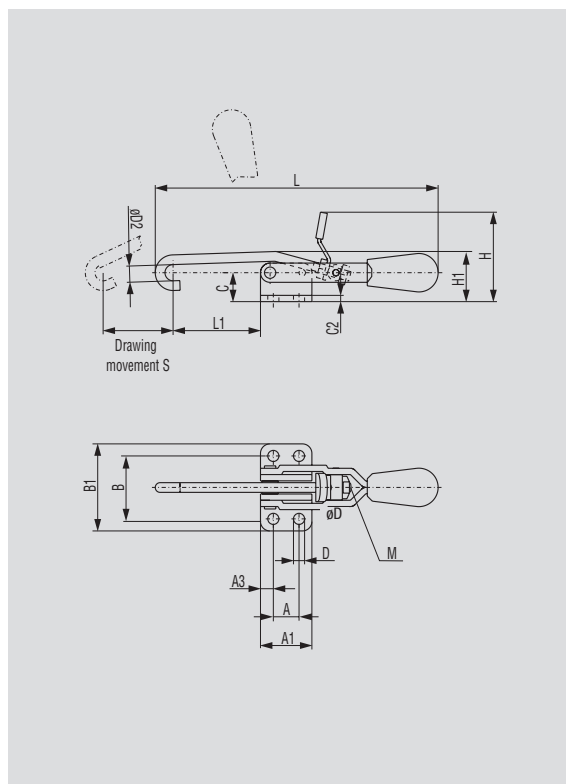
To ensure a secure form of locking, the clamp must be adjusted into the corresponding over-center toggle position.

Product features

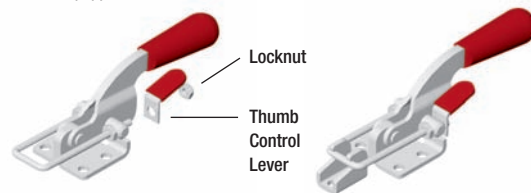
- Patented thumb control lever
- Rivets made of stainless steel
- Zinc plated
- Oil-resistant, ergonomically shaped DE-STA-CO handle grip

Models 330, 351, 371, 381

| Model no. | Holding Capacity ➔ [lbs.] |  [lbs.] | Adjustment Range |
|-----------|---------------------------------|---|------------------|
| 330 | 200 | 0.24 | 0-0.25 |
| 330-M-25 | | | |
| 330-M-50 | | | |
| 330-M-100 | | | |
| 351 | 375 | 0.61 | 0-0.43 |
| 351-M-25 | | | |
| 351-M-50 | | | |
| 351-M-100 | | | |
| 371 | 750 | 1.53 | 0-0.81 |
| 371-M-25 | | | |
| 371-M-50 | | | |
| 371-M-100 | | | |
| 381 | 1,000 | 2.56 | 0-0.93 |
| 381-M-25 | | | |
| 381-M-50 | | | |
| 381-M-100 | | | |



Patented #6,561,556
For added convenience and functionality, every DE-STA-CO pull action clamp is now equipped with a thumb control lever as a standard feature.



| ALSO AVAILABLE | | |
|--|-------------------------|-----------|
| As DE-STA-CO® Toggle Lock Plus | Models 351-R, 371-R | Page 6.22 |
| In Stainless Steel | Model 330-SS, 351-SS | Page 8.17 |
| | Model 351-BSS | Page 8.17 |
| | Models 371-SS, 381-SS ▲ | Page 8.17 |
| ▲ Available upon request, as are a number of other modifications | | |


Patented
Thumb Lever Control
#6,561,556



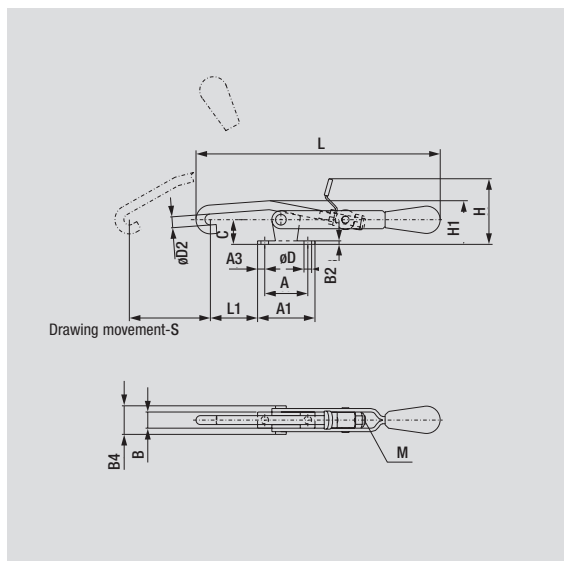
| Model no. | A | A1 | A3 | B | B1 | C | C2 | øD | øD2 | H | H1 | L | L1 max | M | S |
|-------------|------|------|------|------|------|------|------|------|------|------|------|-------|--------|-----|------|
| 330 | 0.50 | 1.00 | 0.25 | 1.22 | 1.69 | 0.56 | 0.12 | 0.22 | 0.32 | 1.43 | 0.89 | 6.04 | 1.76 | M5 | 2.31 |
| 330-M-25 ▲ | 0.50 | 1.00 | 0.25 | 1.22 | 1.69 | 0.56 | 0.12 | 0.22 | 0.32 | 1.43 | 0.89 | 7.02 | 2.74 | M5 | 2.31 |
| 330-M-50 ▲ | 0.50 | 1.00 | 0.25 | 1.22 | 1.69 | 0.56 | 0.12 | 0.22 | 0.32 | 1.43 | 0.89 | 8.01 | 3.73 | M5 | 2.31 |
| 330-M-100 ▲ | 0.50 | 1.00 | 0.25 | 1.22 | 1.69 | 0.56 | 0.12 | 0.22 | 0.32 | 1.43 | 0.89 | 9.98 | 5.70 | M5 | 2.31 |
| 351 | 0.75 | 1.50 | 0.50 | 1.37 | 1.93 | 0.75 | 0.12 | 0.22 | 0.38 | 1.85 | 1.35 | 8.86 | 2.18 | M8 | 4.00 |
| 351-M-25 ▲ | 0.75 | 1.50 | 0.50 | 1.37 | 1.93 | 0.75 | 0.12 | 0.22 | 0.38 | 1.85 | 1.35 | 9.04 | 3.16 | M8 | 4.00 |
| 351-M-50 ▲ | 0.75 | 1.50 | 0.50 | 1.37 | 1.93 | 0.75 | 0.12 | 0.22 | 0.38 | 1.85 | 1.35 | 10.83 | 4.15 | M8 | 4.00 |
| 351-M-100 ▲ | 0.75 | 1.50 | 0.50 | 1.37 | 1.93 | 0.75 | 0.12 | 0.22 | 0.38 | 1.85 | 1.35 | 12.80 | 6.12 | M8 | 4.00 |
| 371 | 1.25 | 1.94 | 0.34 | 1.94 | 2.63 | 1.42 | 0.16 | 0.34 | 0.50 | 2.38 | 2.25 | 11.86 | 2.81 | M10 | 5.38 |
| 371-M-25 ▲ | 1.25 | 1.94 | 0.34 | 1.94 | 2.63 | 1.42 | 0.16 | 0.34 | 0.50 | 2.38 | 2.25 | 12.84 | 3.79 | M10 | 5.38 |
| 371-M-50 ▲ | 1.25 | 1.94 | 0.34 | 1.94 | 2.63 | 1.42 | 0.16 | 0.34 | 0.50 | 2.38 | 2.25 | 13.83 | 4.78 | M10 | 5.38 |
| 371-M-100 ▲ | 1.25 | 1.94 | 0.34 | 1.94 | 2.63 | 1.42 | 0.16 | 0.34 | 0.50 | 2.38 | 2.25 | 16.78 | 6.75 | M10 | 5.38 |
| 381 | 1.13 | 2.13 | 0.50 | 2.37 | 3.38 | 1.81 | 0.19 | 0.41 | 0.62 | 2.90 | 2.71 | 13.45 | 3.13 | M12 | 6.13 |
| 381-M-25 ▲ | 1.13 | 2.13 | 0.50 | 2.37 | 3.38 | 1.81 | 0.19 | 0.41 | 0.62 | 2.90 | 2.71 | 14.43 | 4.11 | M12 | 6.13 |
| 381-M-50 ▲ | 1.13 | 2.13 | 0.50 | 2.37 | 3.38 | 1.81 | 0.19 | 0.41 | 0.62 | 2.90 | 2.71 | 15.41 | 5.10 | M12 | 6.13 |
| 381-M-100 ▲ | 1.13 | 2.13 | 0.50 | 2.37 | 3.38 | 1.81 | 0.19 | 0.41 | 0.62 | 2.90 | 2.71 | 17.39 | 7.07 | M12 | 6.13 |

▲ Available upon request

Model 351-B

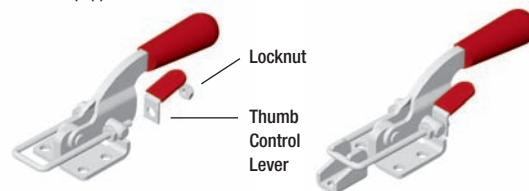
| Model no. | Holding Capacity ➔ [lbs.] |  [lbs.] | Adjustment Range |
|-------------|---------------------------------|---|------------------|
| 351-B | 375 | 0.61 | 0-0.43 |
| 351-B-M-25 | | | |
| 351-B-M-50 | | | |
| 351-B-M-100 | | | |

**Patented
Thumb Lever Control
6,561,556**



Patented #6,561,556

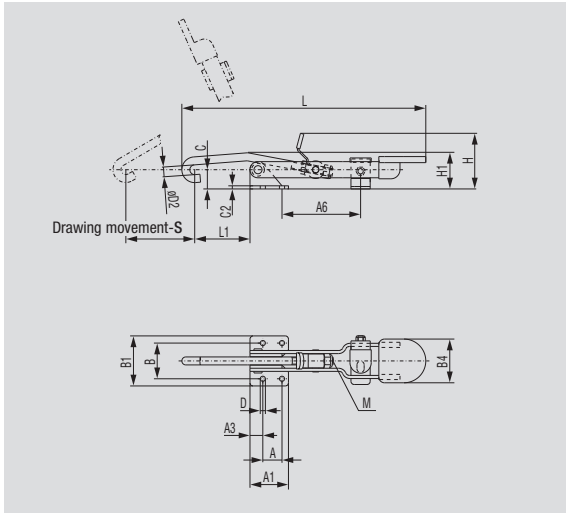
For added convenience and functionality, every DE-STA-CO pull action clamp is now equipped with a thumb control lever as a standard feature.



| Model no. | A | A1 | A3 | B | B4 | C | C2 | øD | øD2 | H | H1 | L | L1 max | M | S | | | |
|---------------|------|------|------|------|------|------|------|------|------|------|------|-------|--------|----|------|--|--|--|
| 351-B | 1.50 | 2.00 | 0.25 | 0.56 | 0.95 | 0.86 | 0.12 | 0.27 | 0.38 | 1.96 | 1.46 | 8.86 | 1.67 | M8 | 4.00 | | | |
| 351-B-M-25 ▲ | 1.50 | 2.00 | 0.25 | 0.56 | 0.95 | 0.86 | 0.12 | 0.27 | 0.38 | 1.96 | 1.46 | 9.84 | 2.65 | M8 | 4.00 | | | |
| 351-B-M-50 ▲ | 1.50 | 2.00 | 0.25 | 0.56 | 0.95 | 0.86 | 0.12 | 0.27 | 0.38 | 1.96 | 1.46 | 10.83 | 3.64 | M8 | 4.00 | | | |
| 351-B-M-100 ▲ | 1.50 | 2.00 | 0.25 | 0.56 | 0.95 | 0.86 | 0.12 | 0.27 | 0.38 | 1.96 | 1.46 | 12.80 | 5.61 | M8 | 4.00 | | | |

▲ Available upon request

Models 351-R, 371-R



| Model no. | Holding Capacity [lbs.] | [lbs.] | Adjustment Range |
|-------------|----------------------------|--------|------------------|
| 351-R | 375 | 0.61 | 0-0.43 |
| 351-R-M-25 | | | |
| 351-R-M-50 | | | |
| 351-R-M-100 | | | |
| 371-R | 750 | 1.53 | 0-0.81 |
| 371-R-M-25 | | | |
| 371-R-M-50 | | | |
| 371-R-M-100 | | | |

Patented #6,561,556
For added convenience and functionality, every DE-STA-CO pull action clamp is now equipped with a thumb control lever as a standard feature.

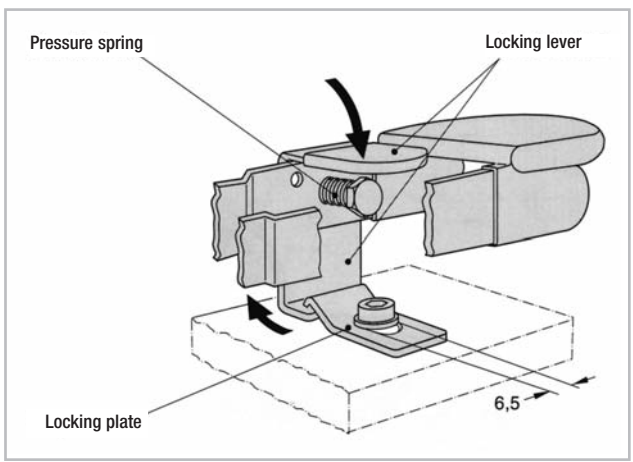
Patented
Thumb Lever Control
6,561,556



| Model no. | A | A1 | A3 | B | B1 | B4 | C | C2 | dD | dD2 | H | H1 | L | L1max | M | S | | | | | | |
|---------------|------|------|------|------|------|------|------|------|------|------|------|------|-------|-------|-----|------|--|--|--|--|--|--|
| 351-R | 0.75 | 1.50 | 0.50 | 1.37 | 1.93 | 1.71 | 0.75 | 0.12 | 0.22 | 0.38 | 1.85 | 1.42 | 9.10 | 2.18 | M8 | 4.00 | | | | | | |
| 351-R-M-25 ▲ | 0.75 | 1.50 | 0.50 | 1.37 | 1.93 | 1.71 | 0.75 | 0.12 | 0.22 | 0.38 | 1.85 | 1.35 | 10.08 | 3.16 | M8 | 4.00 | | | | | | |
| 351-R-M-50 ▲ | 0.75 | 1.50 | 0.50 | 1.37 | 1.93 | 1.71 | 0.75 | 0.12 | 0.22 | 0.38 | 1.85 | 1.35 | 11.07 | 4.15 | M8 | 4.00 | | | | | | |
| 351-R-M-100 ▲ | 0.75 | 1.50 | 0.50 | 1.37 | 1.93 | 1.71 | 0.75 | 0.12 | 0.22 | 0.38 | 1.85 | 1.35 | 13.04 | 6.12 | M8 | 4.00 | | | | | | |
| 371-R | 1.25 | 1.94 | 0.34 | 1.94 | 2.63 | 2.36 | 1.42 | 0.16 | 0.34 | 0.50 | 2.38 | 2.25 | 12.88 | 2.83 | M10 | 5.38 | | | | | | |
| 371-R-M-25 ▲ | 1.25 | 1.94 | 0.34 | 1.94 | 2.63 | 2.36 | 1.42 | 0.16 | 0.34 | 0.50 | 2.38 | 2.25 | 13.86 | 3.81 | M10 | 5.38 | | | | | | |
| 371-R-M-50 ▲ | 1.25 | 1.94 | 0.34 | 1.94 | 2.63 | 2.36 | 1.42 | 0.16 | 0.34 | 0.50 | 2.38 | 2.25 | 14.85 | 4.80 | M10 | 5.38 | | | | | | |
| 371-R-M-100 ▲ | 1.25 | 1.94 | 0.34 | 1.94 | 2.63 | 2.36 | 1.42 | 0.16 | 0.34 | 0.50 | 2.38 | 2.25 | 16.82 | 6.77 | M10 | 5.38 | | | | | | |

▲ Available upon request

Latch clamps 351-R, and 371-R



Information concerning the assembly and function of the clamps locking mechanism
The locking plate which is supplied with the unit must be fastened with a screw (M6 or 1/2-20) as shown in this illustration. The screw head should be flat.

Function
When closing the latch clamp, the locking lever engages automatically. Actuate the locking lever to open the clamp.

